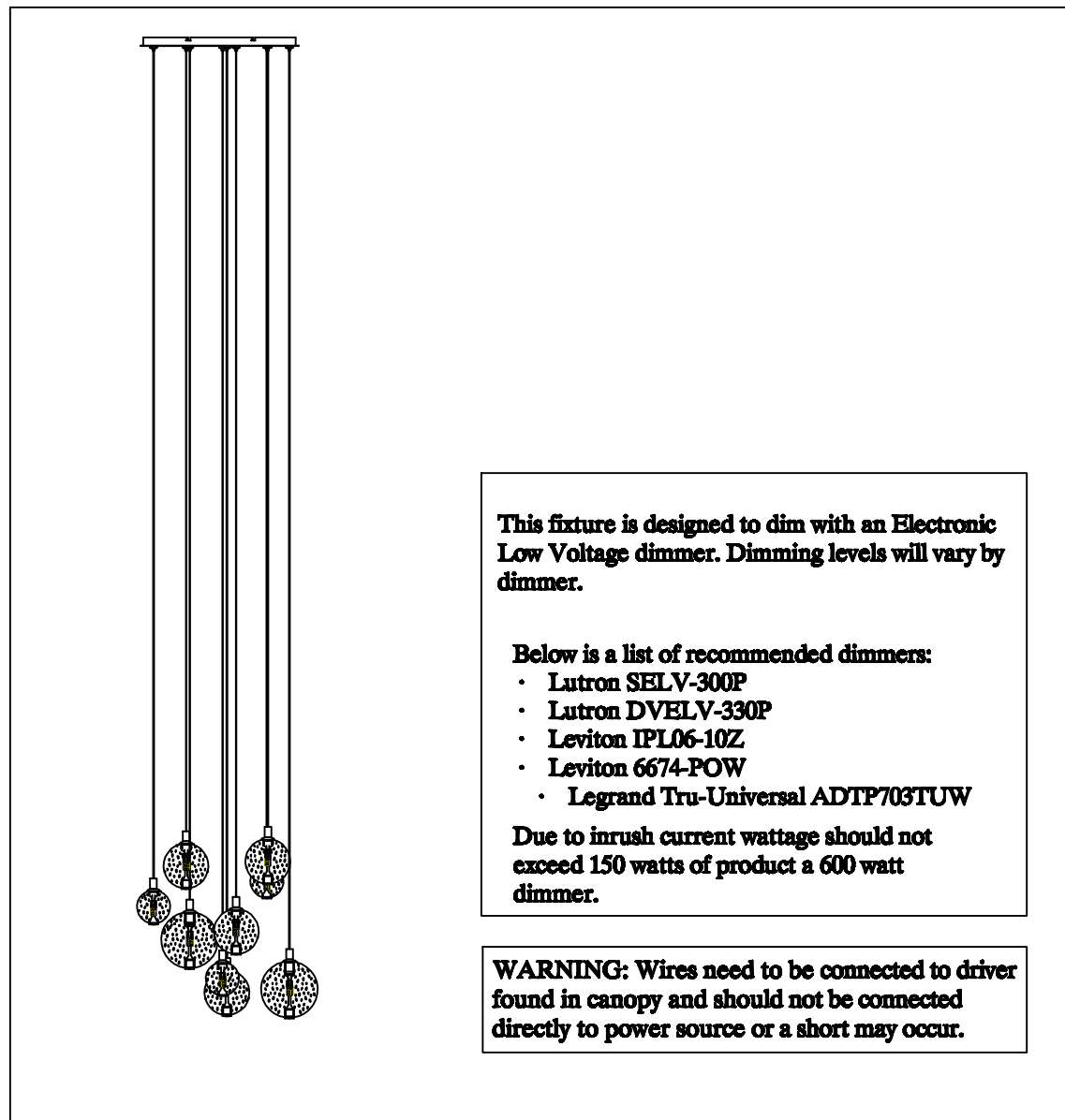




Contemporary Lighting™

PRODUCT NAME: Harmony
ITEM NUMBER: E24506-91PC

Please consult your electrician for hanging fixture and wiring.



This fixture is designed to dim with an Electronic Low Voltage dimmer. Dimming levels will vary by dimmer.

- Below is a list of recommended dimmers:
- Lutron SELV-300P
 - Lutron DVVELV-330P
 - Leviton IPL06-10Z
 - Leviton 6674-POW
 - Legrand Tru-Universal ADTP703TUW

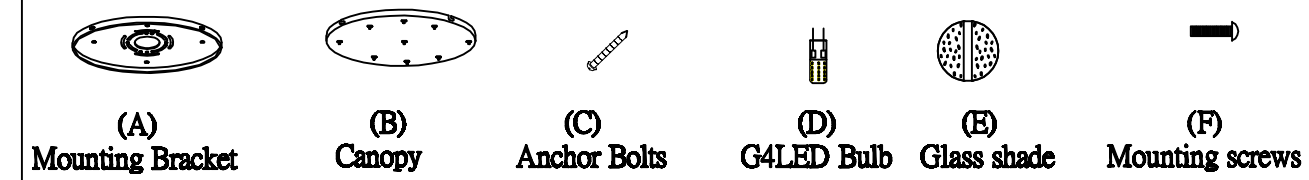
Due to inrush current wattage should not exceed 150 watts of product a 600 watt dimmer.

WARNING: Wires need to be connected to driver found in canopy and should not be connected directly to power source or a short may occur.

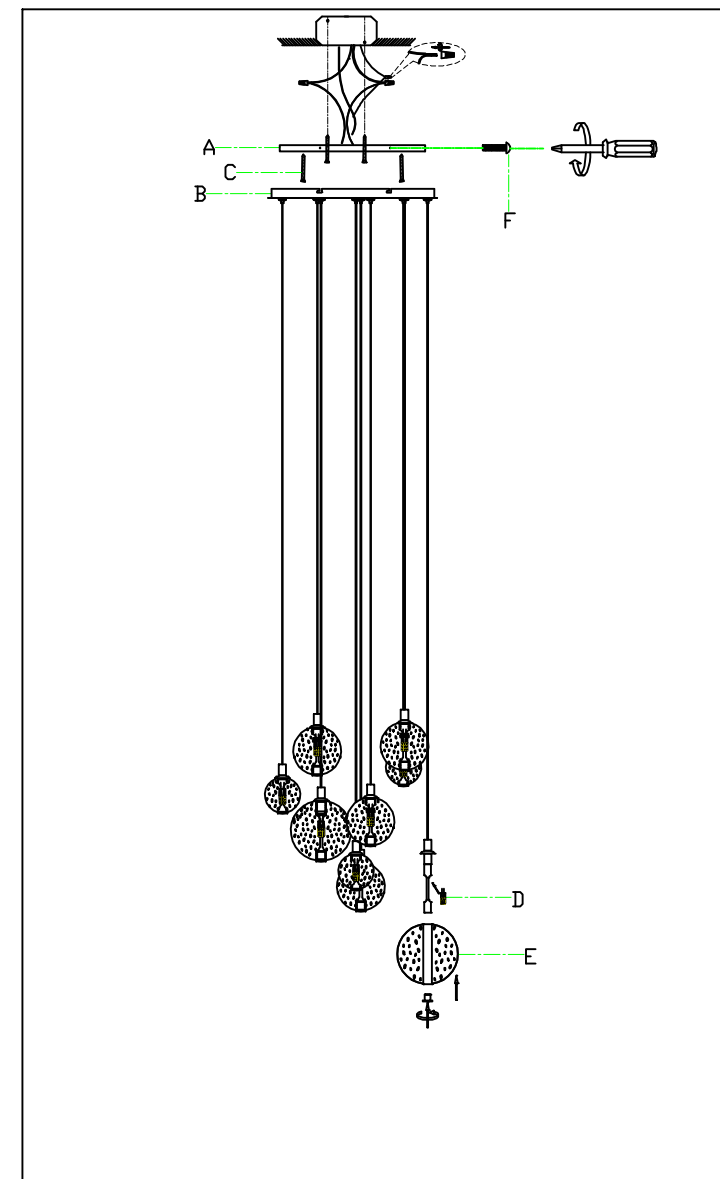
9X1.5W G4LED

MADE IN CHINA
Page 1 of (3)

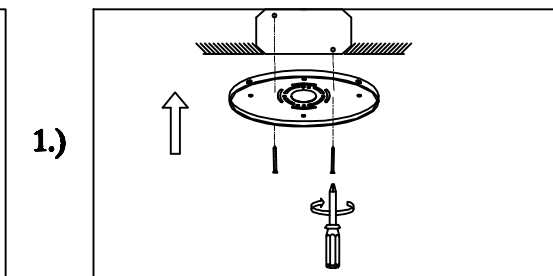
IMPORTANT: Turn off the power at the main fuse or circuit breaker box before starting installation



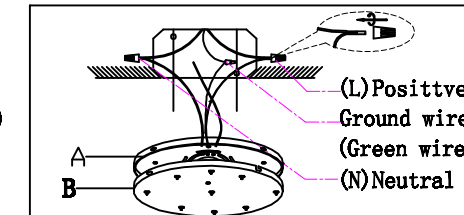
Locate all hardware & components before discarding packaging



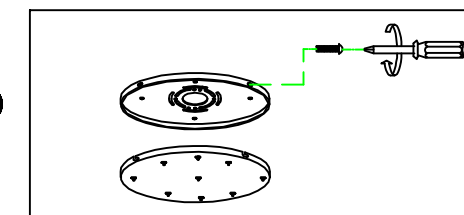
Cleaning & Care:
Clean with soft cloth and a mild detergent.
Do not use abrasive cleaner.



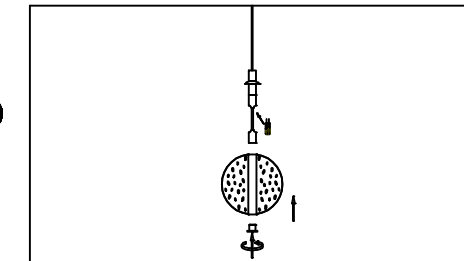
1.) Remove mounting bracket (A) and Anchor bolts (C) from fixture and install to electrical box.



2.) Wire fixture to wires in outlet box. Green wire is for Ground.



3.) Install canopy (B) into the mounting bracket (A) and tighten screws (F) at the ends of the canopy to secure.

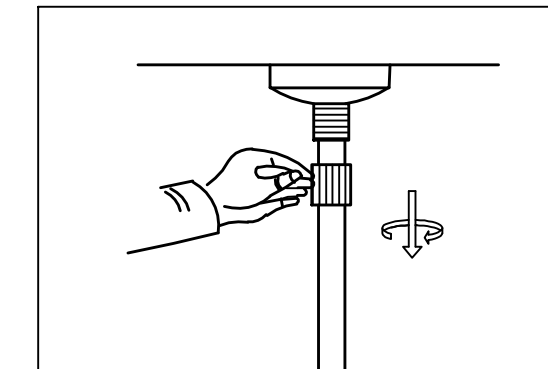


4.) Install the provided G4 LED bulbs (D) to the socket, and tighten the glass shade (E).

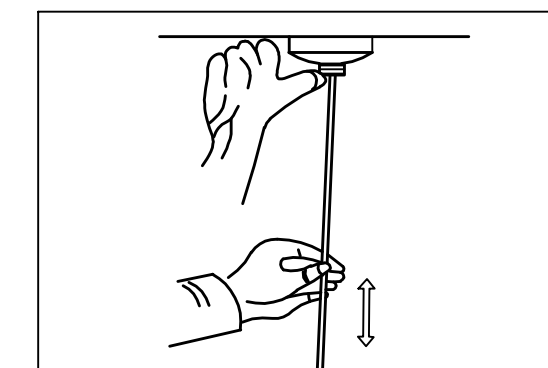
Page 2 of (3)



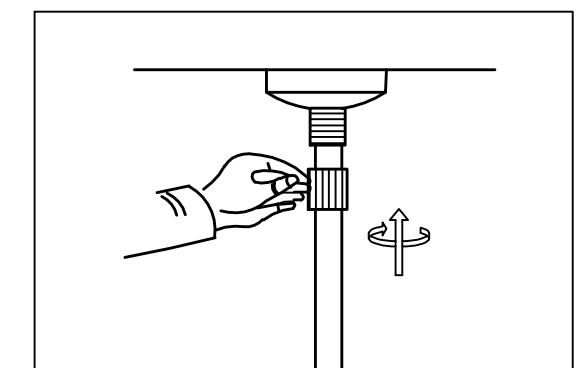
Contemporary Lighting™



1. Loosen the screw



2. Push the pin, and release the wire or the support cable to desired length.



3. Tighten the screw with the pin.

Page 3 of (3)