

Pirce mini LED suspension 3000k 2-wire dimming extended length SPECIFICATIONS

1256118AEXT



Design By

Giuseppe Maurizio Scutellà

Collection

Design



Specifications

Delivered lumens	2273lm
Light output ratio	81.18lm/W
Power consumption	28W
Led type	24W C.O.B.*
CCT (Correlated Color Temperature)	3000K
CRI (Color Rendering Index)	>93
Life expectancy	50000Hrs
Control type	Dimmable 2-Wire**
Input Voltage	120-277V
Driver	HATCH - 1 x XTC32-0700P-UNV-I

**Reverse or forward phase (120v only)

Colors & Finishes

White

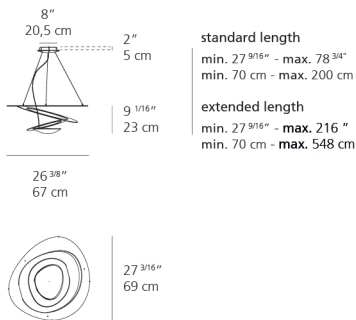
Materials

- Body in painted aluminum

Features & Accessories

- Fluttering spirals, which fall gently downwards, create magical effects of form and light
- Extended cable length

Dimensions



Packaging

1 Box

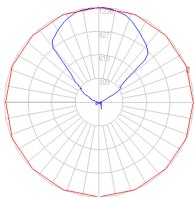
1 x 31-3/16" x 28-7/16" x 14-11/16" / 16.98 lbs - 79 cm x 72 cm x 37 cm / 7.7 kg

Light distribution

Indirect

Luminaire weight

10.58 lbs / 4.8 kg



Warranty

5 year limited warranty

Red = Max Cd. Through Vertical plane

Blue = Max Cd. Through Horizontal plane