



Features

- Freestanding design creates a striking focal point in your bathing area.
- Oval-shaped basin offers a graceful and spacious bathing experience.
- Sloped lumbar support on both ends.
- 16-inch bathing depth offers a deep soaking experience.
- Wide deck along one side simplifies installation and provides support for getting in and out of bath.
- Straight shroud.
- Textured bottom surface.
- Center drain.

Material

- Acrylic

Installation

- Freestanding

Additional Hydrotherapy Options

- Soaking Bath - K-6368-0
- Soaking Bath + Bask heated surface - K-6368-W1
- BubbleMassage air bath - K-1966-G
- BubbleMassage air bath + Bask heated surface - K-1966-GW
- VibrAcoustic - K-1966-VB
- VibrAcoustic + Bask heated surface - K-1966-VBW

Recommended Products/Accessories

K-7265 Clearflo Bath Drain
K-37383 30" Rough-in Cable Bath Drain
K-37386 rough-in cable drain, PVC, 30" cable
K-24916 Wireless Music Kit
K-T37391 Bath Cable Drain Trim
K-T37392 Bath Cable Drain Trim
K-T37393 Bath Cable Drain Trim
K-T37394 Bath Cable Drain Trim
K-T37395 Bath Cable Drain Trim
K-T37396 Bath Cable Drain Trim
K-T37397 Cable Bath Drain Trim



Codes/Standards

CSA B45.5/IAPMO Z124
Greenguard UL 2818 - Gold



KOHLER® Plastic Baths and Receptors Lifetime Limited Warranty

See website for detailed warranty information.

Available Colors/Finishes

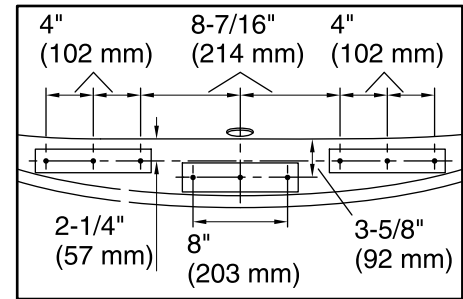
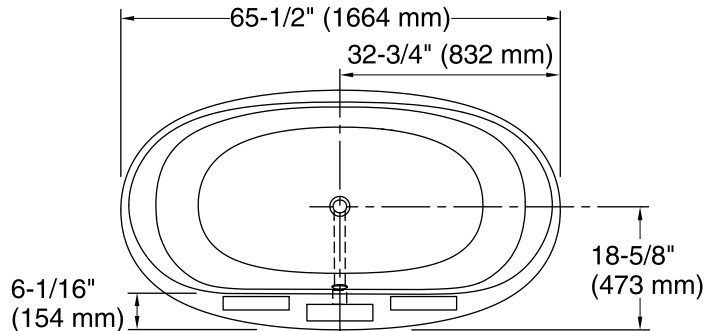
Color tiles intended for reference only.

Color	Code	Description
-------	------	-------------

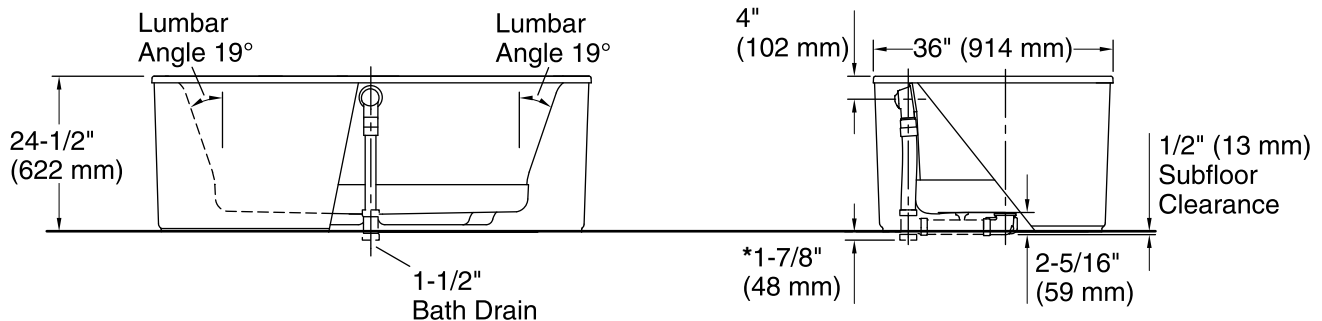
	0	White
	96	Biscuit

No change in measurements if connected with drain illustrated. (K-37386)

□ Recommended Faucet Location



Recommended Faucet Hole Location



*Allow for appropriate clearance in subfloor for drain clearance.
Note: Horizontal PVC pipe and tee shown, not included.

Technical Information

All product dimensions are nominal.

Installation:	Freestanding
Drain location:	Center
Basin area, bottom:	45-3/4" x 24-7/8" (1162 mm x 632 mm)
Basin area, top:	54-7/8" x 29-3/16" (1394 mm x 741 mm)
Weight:	91 lbs (41.3 kg)
Minimum floor load:	40.4 lbs/ft ² (197.3 kg/m ²)
Water depth:	16" (406 mm)
Water capacity:	72.6 gal (274.8 L)
Template:	Footprint, 1245666, not required, not included

Notes

Measure your actual product for rough-in details. Install this product according to the installation instructions.

The hot water supply should be 70% of the capacity of the bath or greater. Installations will vary.

Do not support the load weight of the bath by the rim.

If installing a rim-mount faucet, make sure there is no interference above or below the deck before drilling any holes.