

SPECIFICATIONS

DESCRIPTION

- 3 positions (OFF, 1, 2) no share
- Thermostatic / pressure balance coaxial cartridge with check valves
- R23, R23-SPEX or R23-EX rough required to complete

STANDARDS

- CSA B125.1
- ASME A112.18.1
- ASSE 1016
- ADA

WARRANTY

- Most products or parts carry "Limited Warranties" against manufacturing defects. For US customers please visit houseofrohl.com/support and for Canadian customers please visit riobel.ca for complete product and finish warranty.

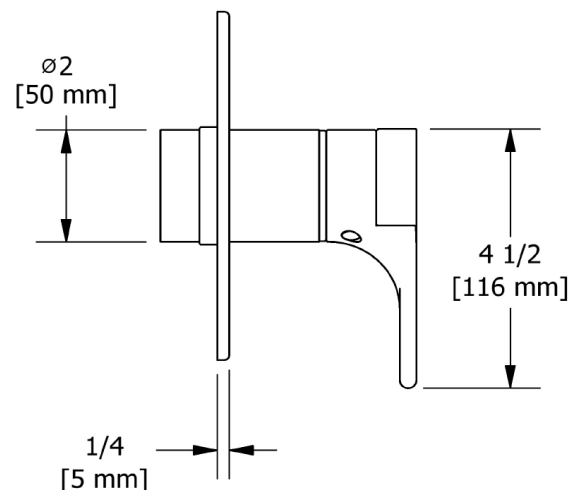
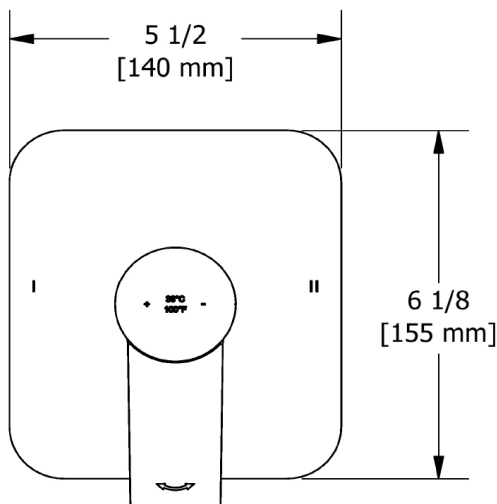


Fresh

2-way no share Type T/P coaxial trim

MODELS: TFR44

ADA  cUPC®



U.S.A.
houseofrohl.ca/support
1-800-777-9762

QUEBEC / MARITIMES / WESTERN CANADA
houseofrohl.ca/support
1-866-473-8442

ONTARIO
houseofrohl.ca/support
1-800-287-5354