



# I.Cono

Design by Lievore, Altherr, Molina

# VIBIA

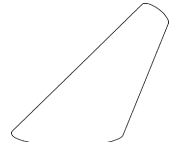
LIGHT IS CREATION

## ASSEMBLY INSTRUCTIONS

Version U02

### SUPPLIED MATERIAL



1. 2. 3. 4. 5.



Only for reference 0725-04-INC

	0725-INC
1 Gloves	1 un.
2 Allen key	1 un.
3 Reflector	1 un.
4 Lighting fixture	1 un.
5 Shade	1 un.

### TECHNICAL SPECIFICATIONS

0725 Net Weight 2.20 lbs  1 x BA-9 120V 60W Max. IP20  50-60 Hz DRY LOCATION

IP20 Product protected against solid object as big as or bigger than 1/16.  
No protection against water.  
~ Alternating current

### VERY IMPORTANT

CAUTION: TO PREVENT ELECTRIC SHOCK, MATCH WIDE BLADE OF PLUG TO WIDE SLOT, FULLY INSERT.

ATTENTION: POUR ÉVITER UN CHOC ÉLECTRIQUE, PRÉSENTER LA LAME LARGE LA FENTE LARGE ET POUSSER JUSQU'AU FOND.

CAUTION: HOT SURFACE. KEEP AWAY FROM CURTAINS AND OTHER COMBUSTIBLE MATERIALS.

ATTENTION: SURFACE CHAUDE. TENIR L'ÉCART DES RIDEAUX FORME ET D'AUTRES MATÉRIAUX COMBUSTIBLES.

DRY LOCATIONS ONLY.

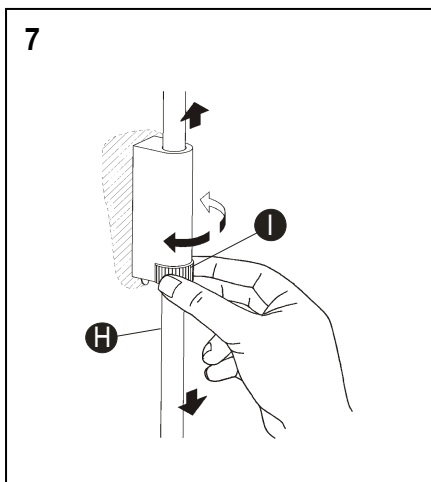
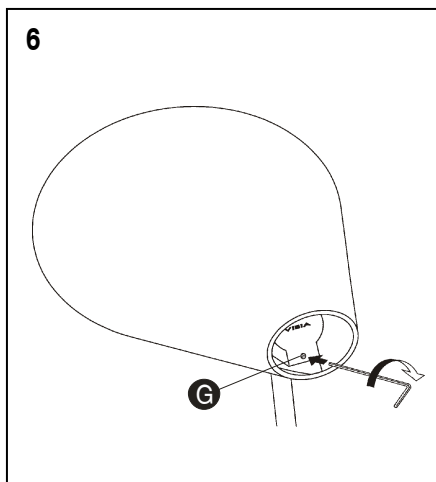
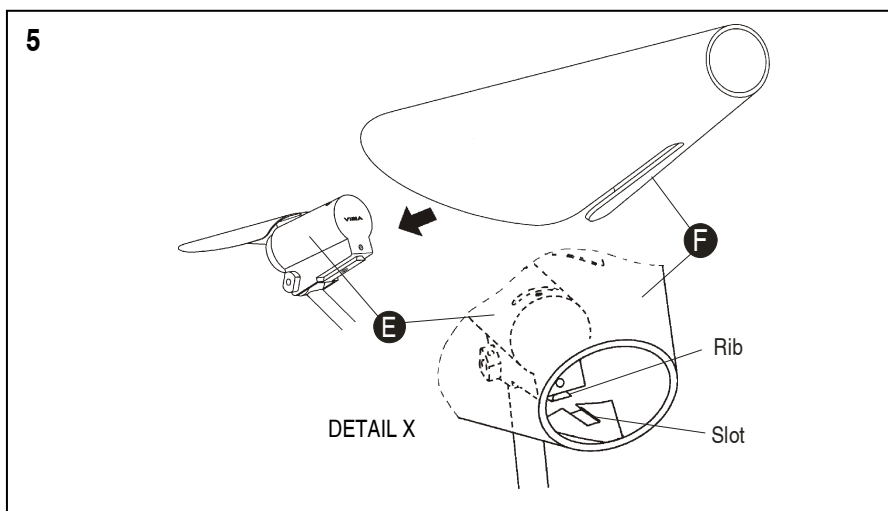
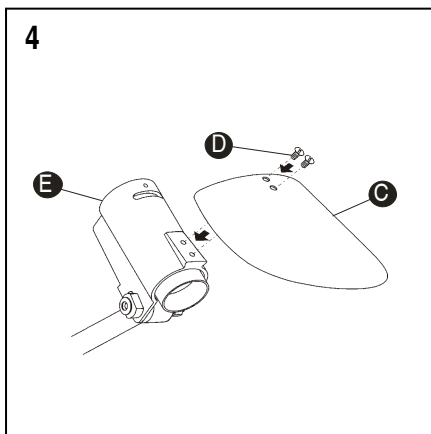
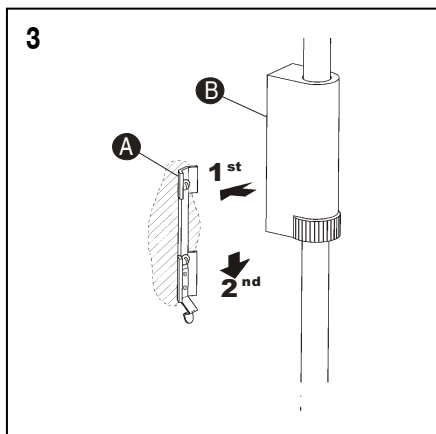
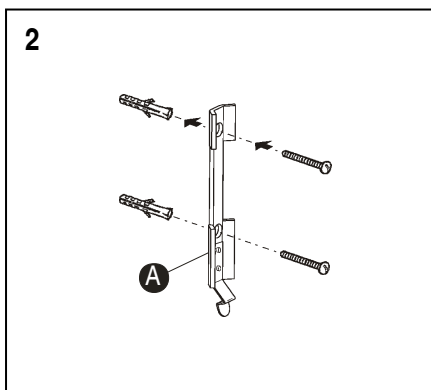
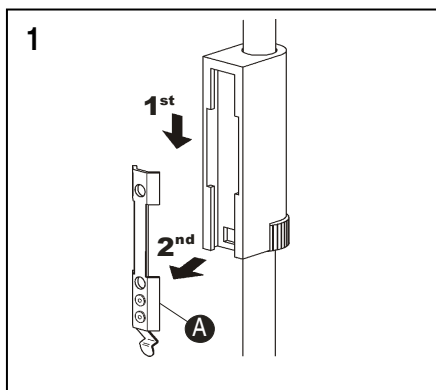
POUR EMPLACEMENTS SECS SEULEMENT.

### Caution

Before assembling and installing this product, carefully read the following:

- Switch off the mains before installing the lamp.
- Never use a bulb with a wattage exceeding the recommended one. Always use a bulb with the recommended wattage or lower.
- If the steel cable or the power cord of this lamp is damaged, it must be replaced only by the manufacturer or their technical service or by a person capacitated to this effect to avoid any risk.
- This lamp is for indoor use only, excluding bathrooms or any type of humid surface.
- We recommend reading the manual before installing the lamp. Keep these instructions for future reference since they contain Information on bulb replacing and maintenance.
- Use these gloves to touch the lamp during the installation to avoid smudges and dirt on its surface.

## ASSEMBLY INSTRUCTIONS



1. Remove the flats (A) as shown by the arrows.
2. Fix the flats (A) to the wall using the most adequate screws and plugs, (not supplied).
3. Reinstall the bracket (B) following the arrows. First assembly with the flats (A) and then slide downwards.
4. Install the reflector (C) using the two screws (D) that were removed from the body (E).
5. Install the shade (F) on the body (E) as shown by the arrow, so that the rib on the body slides completely into the slot on the shade (see X detail).
6. Tighten the inner peg (G) using the supplied Allen key. In this way the shade will be fixed in place.
7. The tube (H) is adjustable in height. To do so loose the nut (I) with your fingers, slide the tube upwards or downwards to the desired position and tighten the nut again to block the tube in place.

### Maintenance

- Use a slightly-wet cotton cloth for cleaning.
- In case of malfunction or damage, please contact the retailer who sold the lamp.