



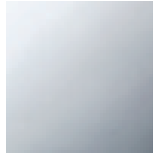
Sink - CL.1

Lavatory spout, deck-mounted without drain - polished chrome

Article number: 13 714 705-00

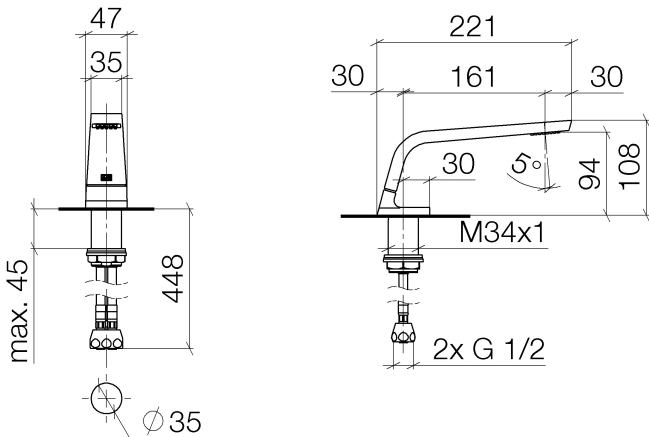


- 6-1/4" Projection
- Rigid spout
- Rectangular aerator with 40 individual streams
- Total height 4-1/4"
- Height to aerator/spout outlet 3-3/4"
- 1-3/8" hole diameter
- 1/2" connection
- Water flow rate limited to max. 1.1 gpm
- lead-free
- Fittings group in compliance with DIN 4109: 1
- In combination with an eValve, the flow rate can deviate.
- Please note that for an electronic version the flow limiter must be removed.



polished chrome

Dimensional drawing





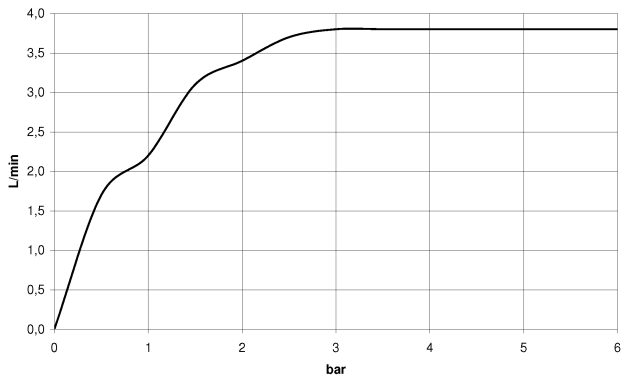
Sink - CL.1

Lavatory spout, deck-mounted without drain - polished chrome

Article number: 13 714 705-00

All dimensions in mm / inch = mm x 0,0394

Flow rate chart





Sink - CL.1

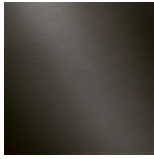
Lavatory spout, deck-mounted without drain - polished chrome

Article number: 13 714 705-00

Other surface finishes



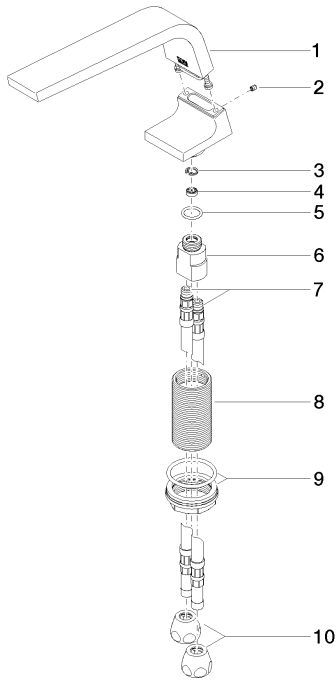
platinum matte
13 714 705-06



Dark Platinum matte
13 714 705-99

More custom finish options are available via special production (xTra Service). Please see our finish matrix for availability and pricing or contact a Dornbracht representative.

Spare parts list



Number	Item Number	Designation	Number of units
1	90 11 70 002 00-00	Outlet - polished chrome	1
2	09 31 11 044 90	Mounting bracket -	1
3	09 16 01 016 90	Ring -	1
4	09 23 01 034 90	Application -	1
5	09 14 10 130 90	Washer -	1
6	09 11 10 055 10 90	Wall connection -	1
7	04 30 04 016 00 90	Flexible supply line -	2
8	09 30 01 208 90	Wall connection -	1
9	04 23 10 044 06 90	Mounting bracket -	1
10	04 23 30 040 00-00	Wall connection - polished chrome	2