

ASSEMBLY INSTRUCTIONS

Stellar Medium Chandelier

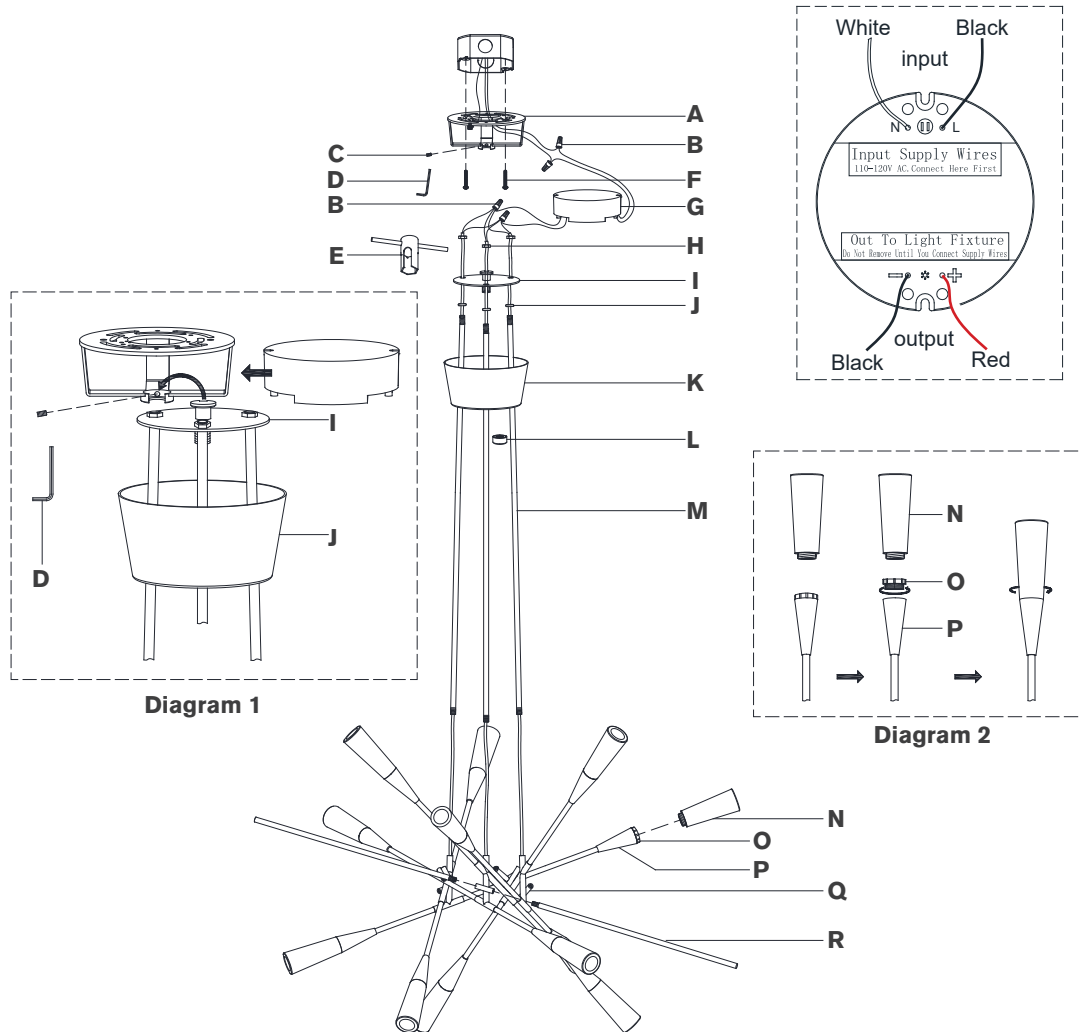
Item # CHC 5605

NOTICE:

This light fixture should be installed in accordance with all applicable, local installation codes, and by a person familiar with the construction and operation of it, as well as the hazards involved. Inspect item and contents carefully. If any damage or defect is found, do not install. Retain all packaging material until installation is complete and approved.

TOOLS REQUIRED (NOT INCLUDED):

Phillips Screwdriver Slotted Screwdriver Wire Cutters
Wire Strippers



- Carefully remove all parts from the box. Place on a clean, soft surface.
- Remove mounting plate **(A)** from canopy **(K)** by removing finial **(L)**.
- Install mounting plate **(A)** to the junction box and secure with mounting screws **(F)**.
- Connect supply ground wire (usually green or bare copper) around the green grounding screw. Tighten.
NOTE: It is imperative that the fixture is grounded.
- Feed the fixture wires through rods **(M)**, then thread to fixture body **(Q)**.
- Let rods **(M)** pass through holes on canopy **(K)**, then thread check ring **(J)** to the top of rods **(M)** and tighten.
- Install metal plate **(I)** to rods **(M)** and secure with lock nuts **(H)** using provided T-wrench **(E)**.
- Hang fixture mount on top of metal plate **(I)** to the center of mounting plate **(A)** and secure set screw **(C)** using provided L-wrench **(D)** as shown in diagram 1.
- Connect fixture neutral wire (black) to driver **(G)** output wire (black) using wire nut **(B)**.
- Connect fixture hot wire (red) to driver **(G)** output wire (red) using wire nut **(B)**.
- Connect driver **(G)** input neutral wire (white) to the supply neutral wire (usually white) using wire nut **(B)**.

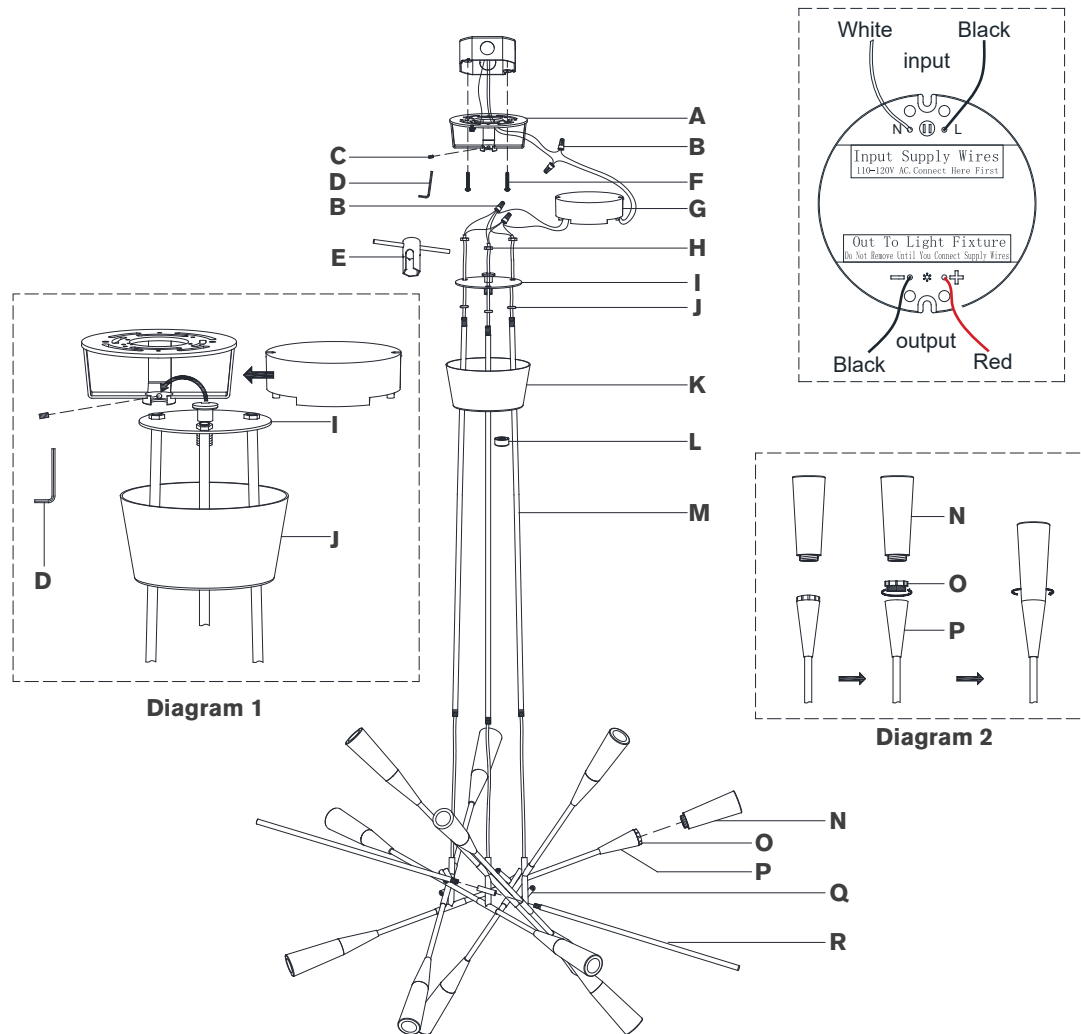
ASSEMBLY INSTRUCTIONS

Stellar Medium Chandelier

Item # CHC 5605

NOTICE:

This light fixture should be installed in accordance with all applicable, local installation codes, and by a person familiar with the construction and operation of it, as well as the hazards involved. Inspect item and contents carefully. If any damage or defect is found, do not install. Retain all packaging material until installation is complete and approved.



- Connect driver **(G)** input hot wire (black) to the supply hot wire (usually black) using wire nut **(B)**.

CAUTION: Do not reverse the hot and neutral connections.

- Make sure all wire connections are tight, then carefully tuck into the junction box.
 - Insert driver **(G)** into the mounting plate bracket.
 - Install canopy **(K)** to mounting plate **(A)** and secure with finial **(L)**.
 - Thread metal bars **(R)** to fixture body **(Q)**.
 - Remove protective caps **(O)** from socket **(P)**, then thread diffusers **(N)** to sockets **(P)** as shown in diagram 2.
- NOTE:** Discard protective caps **(O)** after assembly.

Care Instructions: Clean only with a soft dry cloth or feather duster. Do Not use abrasive or chemical agents.