



Project: _____

Location: _____

Fixture Type: _____

Catalog Number: _____

AVAILABLE FINISHES:



Double Bubble

WS-82006

PRODUCT DESCRIPTION

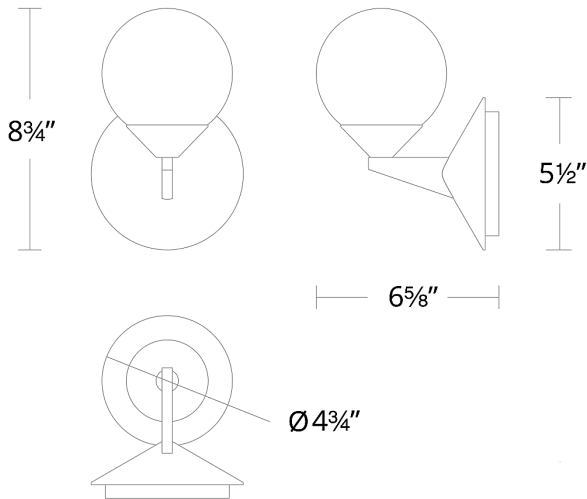
Sleek, minimal, abstract. Designed like a larger orb possessing a smaller sphere, elegant luminosity is diffused through a laser etched crystal ball. Mount upwards or downwards depending on your desired look and application.

FEATURES

- Driver concealed within the canopy
- Light is evenly diffused through laser etched crystal ball

SPECIFICATIONS

Rated Life	50000 Hours
Standards	ETL, cETL,Damp Location Listed, Title 24 JA8: 2019 Compliant
Input	120/277V, 50/60Hz
Dimming	ELV
Color Temp	3000K
CRI	90
Construction	Metal frame with laser etch glass shade



WS-82006

Model & Size	Color Temp	Finish	LED Watts	LED Lumens	Delivered Lumens
WS-82006 6"	3000K	AB Aged Brass	4W	384	365
	3000K	BK Black	4W	384	365
	3000K	SN Satin Nickel	4W	384	365

Example: **WS-82006-SN**

For custom requests please contact customs@modernforms.com