

Assembly & Installation Instructions

Collage pendant 18880

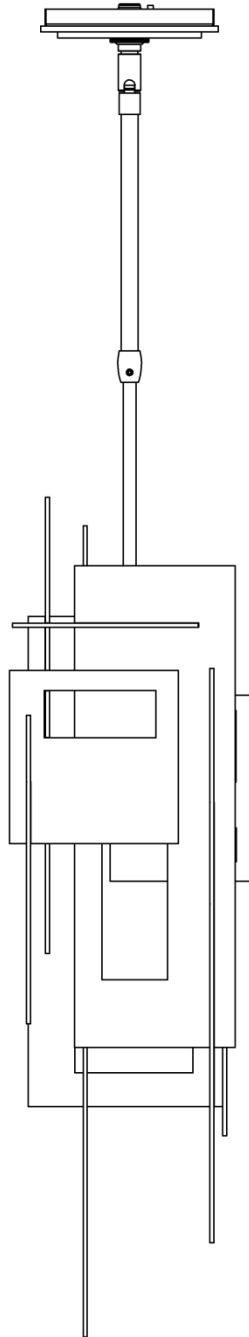
Page 1 of 6

CAUTION: FAILURE TO INSTALL THIS FIXTURE PROPERLY MAY RESULT IN SERIOUS PERSONAL INJURY OR DEATH AND PROPERTY DAMAGE. We recommend installation by a licensed electrician.

This product must be installed in accordance with applicable installation code(s), by a person familiar with the construction and operation of the product and the hazards involved.*

Caution: Do not exceed maximum wattage noted on fixture. Use only recommended bulbs with fixture.

Please Note: After installation extra hardware is possible due to our kits being used on multiple products and options.



HUBBARDTON FORGE.

Modern American Blacksmiths | Fine, Hand Crafted Lighting
Castleton, Vermont USA | HUBBARDTONFORGE.COM

Assembly & Installation Instructions

Collage pendant 18880

Page 2 of 6

Component Parts

A	Fixture
B	Fixture Pipe
C	Clutch
D	Clutch Sleeve
E	Jam Nuts
F	Crossbar
G	Threaded Nipple
H	Canopy
I	Canopy Ring
J	Coupling
K	Canopy Pipe
L	Fixture Coupling
M	Set Screw
N	Ground Screw



Assembly & Installation Instructions

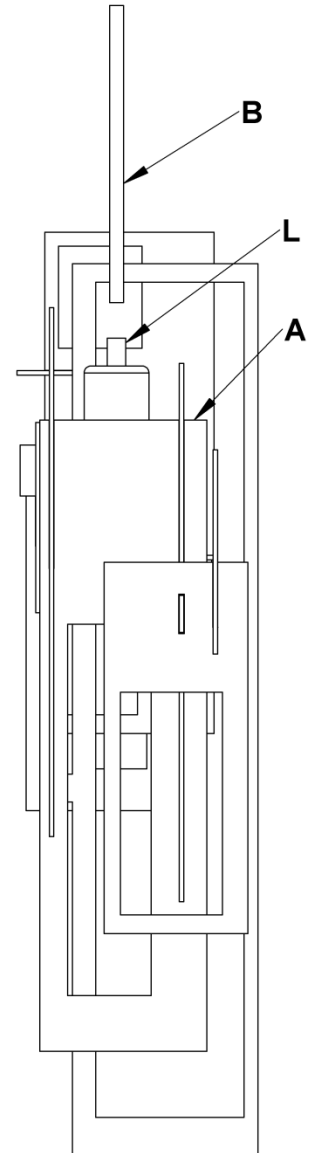
Collage pendant 18880

Page 3 of 6

Prepare Fixture (Figure 1)

1. Carefully unpack the fixture (A) along with all canopy parts from the carton.
2. Run wires from fixture coupling (L) through the fixture pipe (B)
3. Apply a drop of the supplied thread locking compound to the threads of fixture pipe (B) and screw into coupling (L), being careful not to twist or pinch the wires.

Note: Application of the thread locking compound is necessary to prevent the pipe from loosening during regular maintenance and cleaning of the fixture. Be certain to apply the compound.



(Figure 1)



HUBBARDTON FORGE.

Modern American Blacksmiths | Fine, Hand Crafted Lighting
Castleton, Vermont USA | HUBBARDTONFORGE.COM

Assembly & Installation Instructions

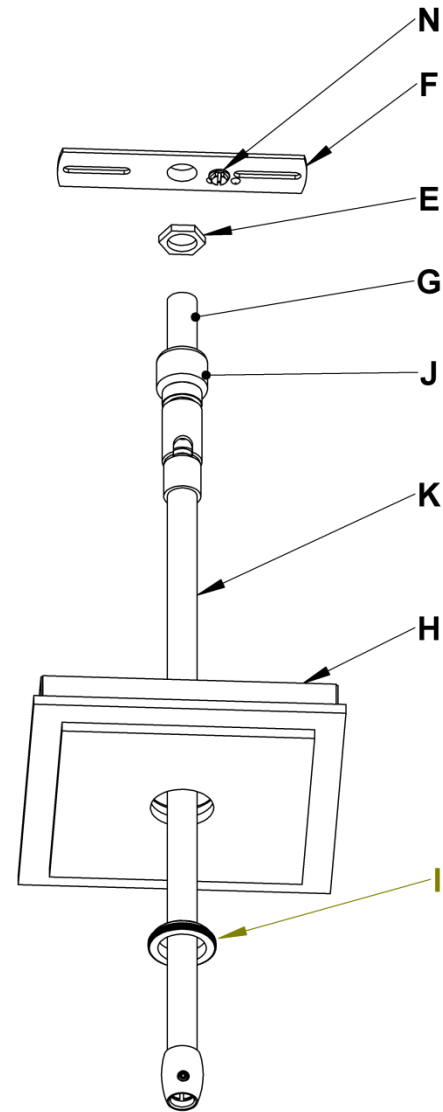
Collage pendant 18880

Page 4 of 6

Prepare the Canopy (Figure 2)

Caution: Be sure power is off at the main breaker box prior installation.

1. Thread jam nut (E) and crossbar (F) onto threaded nipple (H) leave both parts loose.
2. Using two machine screws (not provided), temporarily fasten the crossbar (F) to the electric box.
Note: A new electric box comes with screws. When replacing a fixture, retain the existing screws for use with the new fixture.
3. Adjust the length of threaded nipple (F) in crossbar (F) so that canopy ring (I) will hold canopy (H) against the ceiling with no threads showing for best appearance. When the correct adjustment is established, tighten jam nut (E) against crossbar (F) to hold the adjustment.
4. Remove the canopy assembly from the electrical box and proceed with the assembly instructions.



(Figure 2)



HUBBARDTON FORGE.

Modern American Blacksmiths | Fine, Hand Crafted Lighting
Castleton, Vermont USA | HUBBARDTONFORGE.COM

Assembly & Installation Instructions

Collage pendant 18880

Page 5 of 6

Complete Assembly and Install (Figures 3 & 4)

Caution: Be sure power is off at the main breaker box prior to installation.

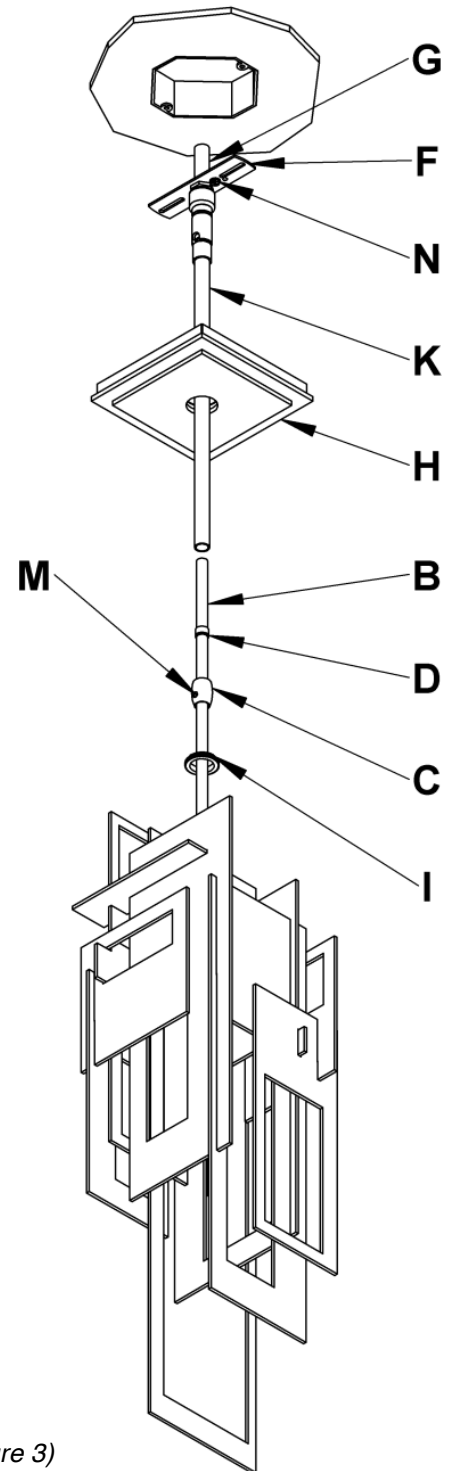
1. Carefully slide canopy ring (I) and canopy (H) down over fixture pipe (B) until they rest on the fixture. Make sure smaller diameter side of canopy ring (I) is oriented up toward the canopy (Figure 3).
2. Slip wires from the fixture pipe (B) through the canopy pipe (K).
3. Unscrew the clutch (C) from the canopy pipe (K); slide it over the wires and onto the fixture pipe (B). Follow this with the plastic sleeve (D), oriented so the tapered end nests in the clutch (C) (Figure 4)
4. Slide the canopy pipe (K) on to fixture pipe (B) as far as necessary to give you the total length of the fixture which you desire. Be careful not to scratch the pipe surfaces and to pull excess wire up through the canopy pipe (K). There must be a minimum 1-1/2" of inner pipe inside the outer pipe. Hand-tighten the clutch to temporarily hold this adjustment. The clutch is not securely fastened at this point; do not depend on it to hold the fixture.

Important: To ensure full connection strength, be sure the tapered end of the plastic clutch sleeve is oriented toward the clutch when assembled and securely tighten set screw (M) (Figure 4).

5. Using two machine screws (not provided), fasten the crossbar (F) to the electric box.

Note: A new electric box comes with screws. When replacing a fixture, retain the existing screws for use with the new fixture.

6. Using suitable wire connectors (not provided), connect fixture wires to supply wires (white to white supply, black to black supply). Run a pigtail lead from crossbar ground screw (N) to the junction box and connect all ground wires (bare copper or green to bare copper or green). Push wires back into outlet box. **Caution:** Make sure wire connectors are twisted on securely, and no bare wire is exposed.



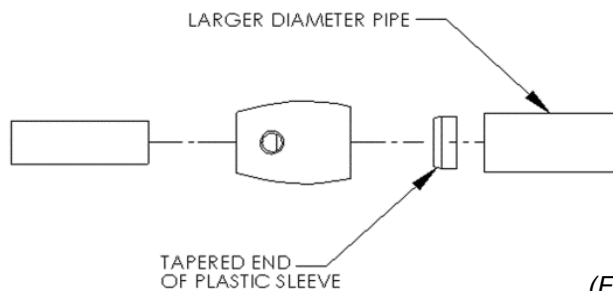
(Figure 3)

Assembly & Installation Instructions

Collage pendant 18880

Page 6 of 6

7. Slide canopy (H) against ceiling, and secure with canopy ring (I).
8. Once the fixture is fastened to the ceiling, tighten the set screw (M) firmly with hex wrench provided.
9. Restore electricity at main breaker.



(Figure 4)

If you need further assistance, or find that you are missing any parts, please contact the dealer from which you purchased this product. We hope you enjoy your fixture

Hubbardton Forge will not be liable for injury or damage caused by improper installation, lamping or use of this fixture.



HUBBARDTON FORGE.

Modern American Blacksmiths | Fine, Hand Crafted Lighting
Castleton, Vermont USA | HUBBARDTONFORGE.COM