

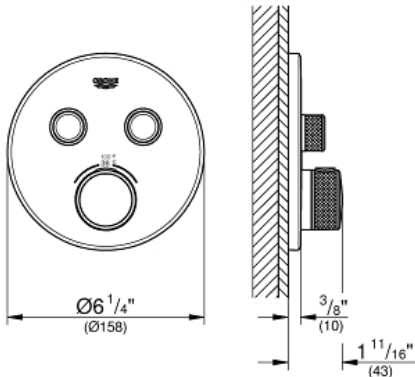
GROHTHERM SMARTCONTROL Dual Function Thermostatic Trim with Control Module

MODEL # 29137000

GROHE CANADA, INC. | 5900 Avebury Road, Mississauga, Ontario, Canada L5R 3M3
Phone: 905-271-2929 | Fax: 905-271-9494 | info@grohe.ca

Pure Freude
an Wasser

GROHE



Product Description:

GROHTHERM SMARTCONTROL

Dual Function Thermostatic Trim with Control Module

Standard Specification:

- Final installation set for:
- Required rough-in-set sold separately (GROHE Rapido SmartBox 35 601 000)
- Metal wall escutcheon with **GROHE QuickFix** (covered escutcheon and shaft sealing, covered fixing), 6° angle adjustable
- 10mm (3/8") thin profile escutcheon
- **GROHE StarLight** chrome finish
- SmartControl push for ON-OFF, turn for volume adjustment from EcoJoy to Full Flow
- Includes various icons to customize push buttons
- **GROHE TurboStat** Compact cartridge with wax thermoelement
- **GROHE SafeStop** safety button at 100°F/38°C
- Built-in check valve with dirt strainer
- Multiple outlets can be run simultaneously
- Maximum flow performance combined: 29L/min (7.7gpm) @ 3 bar (43.5 psi)
- Optional flow reducer for CALGreen compliance included

Applicable Codes & Standards:

- ASME A112.18.1/CSA B125.1
- LOGO CEC

Color:

- 29137000 StarLight Chrome