

# Reflection

700VNRFL-CF 1.1



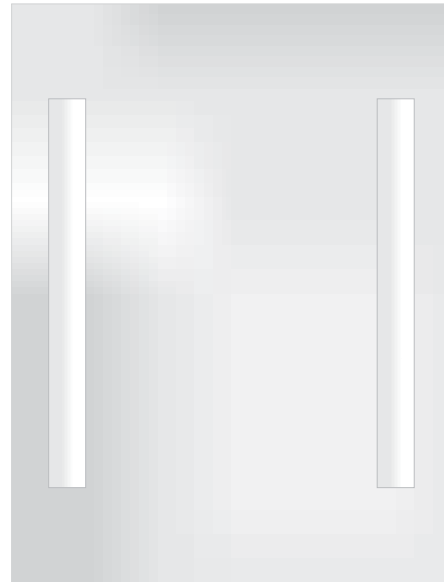
## GENERAL PRODUCT INFORMATION:

This product is suitable for indoor locations only.

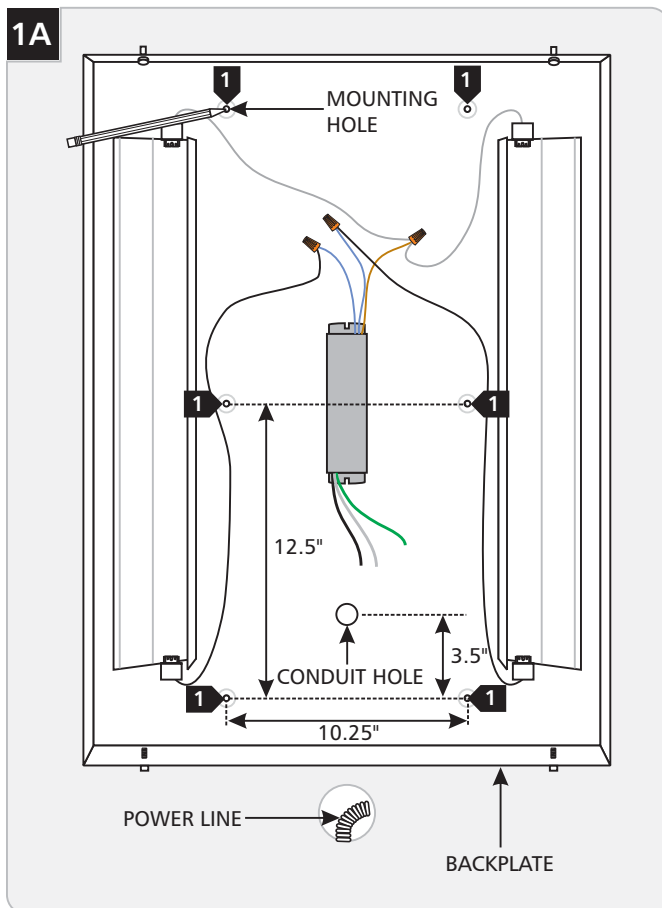


Bring appropriate power supply to the mirror in accordance with local electrical codes.

This instruction shows a typical installation.



## Install the Backplate



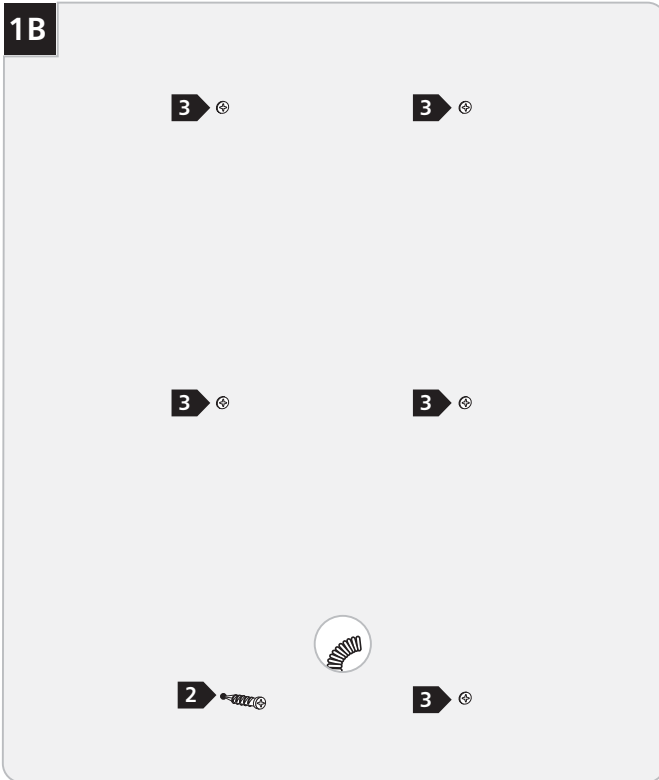
**CAUTION — RISK OF FIRE**  
 This product requires installation by a qualified electrician. Before installing be sure to read all instructions and **TURN OFF POWER TO THE ELECTRICAL BOX.**

**NOTE:** This installation requires an additional person to hold the backplate while electrician installs it.

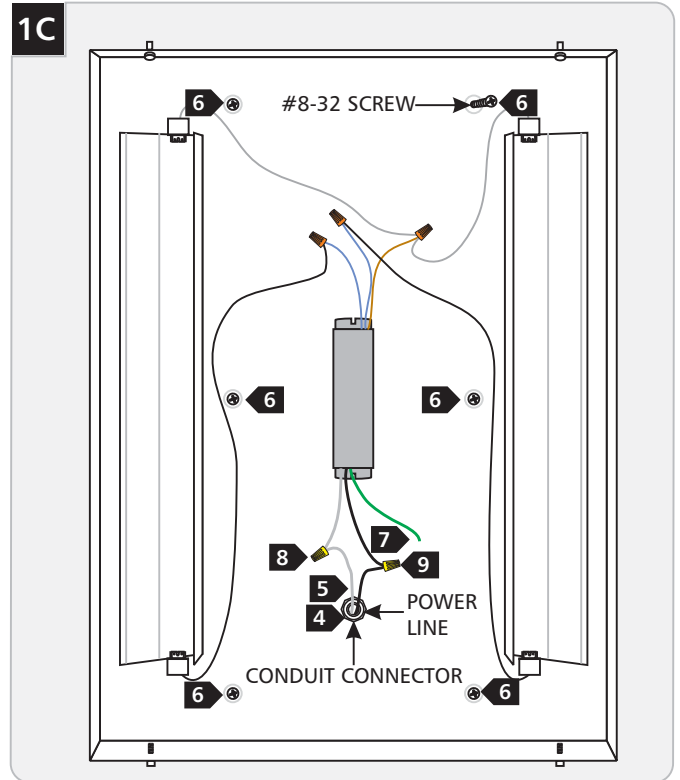
- 1 Align the backplate conduit hole with the power line and use the backplate as a template to mark the six mounting holes onto the wall.

**NOTE:** Make sure that the backplate is leveled horizontally.

**NOTE:** The six mounting holes can also be marked onto the wall by the dimensions provided in 1A.

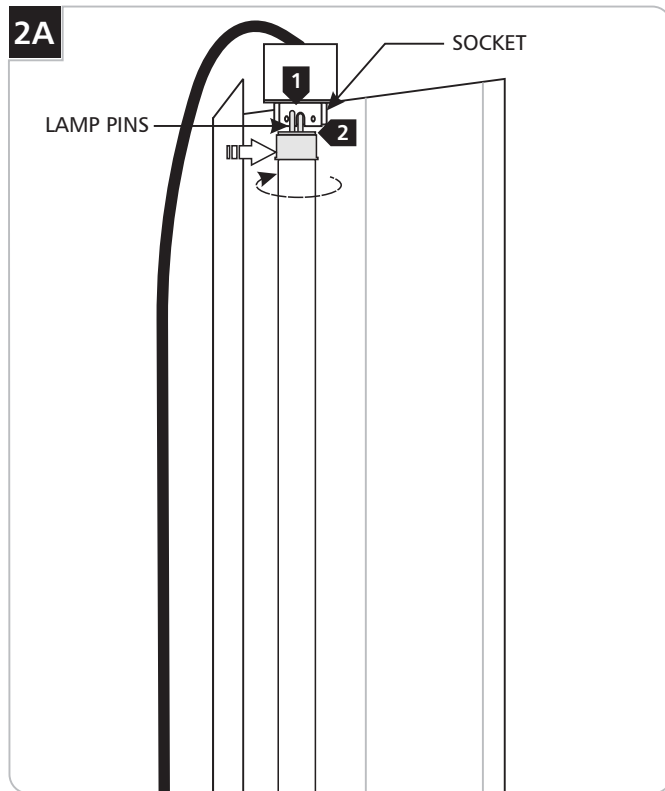
**1B**

- 2** With a hammer tap the anchors at the marked points up to the threaded portion.
- 3** Screw the anchors in the rest of the way with a Phillips screwdriver.

**1C**

- 4** Install the conduit connector (not provided) to backplate conduit hole.
- 5** Feed the power line through the conduit connector into the backplate.
- 6** Line up the backplate holes with the anchors and secure it to the anchors with the six #8-32 screws provided.
- 7** Ground the backplate in accordance with local electrical codes.
- 8** Connect the white ballast wire to the neutral power line wire with a wire nut.
- 9** Connect the black ballast wire to the hot power line wire with a wire nut.

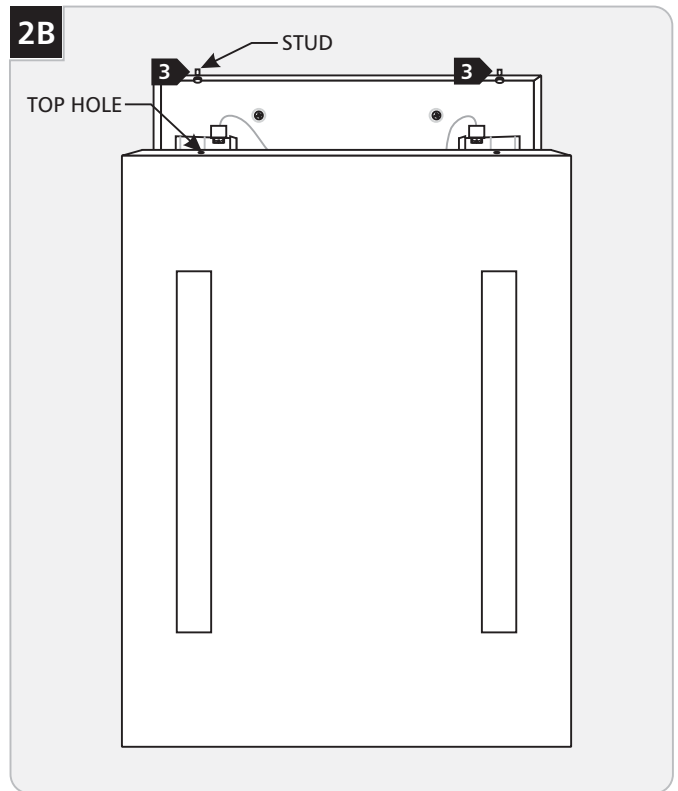
## Install the Lamps & Mirror



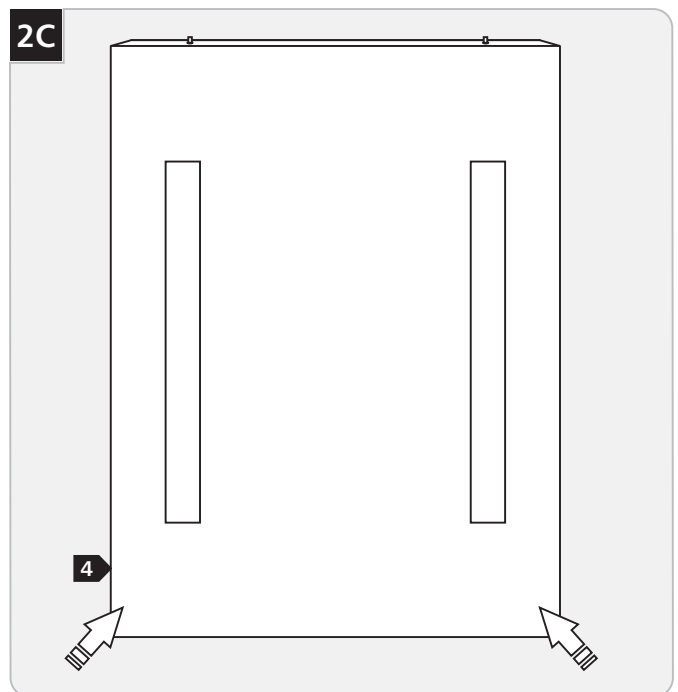
Use **Max** 24W type T5 Linear fluorescent lamp with each socket.



- 1** Line up the lamp pins on both sides with the opening on the sockets.
- 2** Insert the pins all the way into the sockets and turn the lamp to lock it in place. Repeat this step for the other lamp.

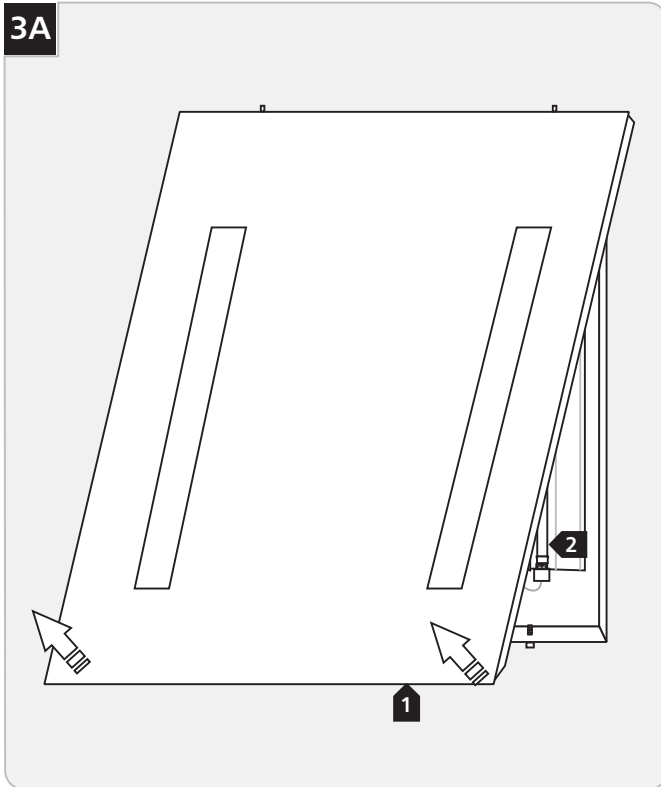


- 3** Carefully hook the mirror through the top two holes onto the backplate studs.



- 4** Push the mirror bottom corners against the backplate until it snaps in place.

## Replacing the Lamp



- 1 Unsnap the bottom corners of the mirror from backplate and swing it up just enough to reach the lamps.
- 2 Turn the burnt lamp to unlock and then remove it.
- 3 Follow the steps 1 through 4 on page 3 to install the new lamp.

**SAVE THESE INSTRUCTIONS!**

 **TECH LIGHTING®**  
7400 Linder Ave, Skokie, IL 60077  
847.410.4400  
[www.techlighting.com](http://www.techlighting.com)

© 2012 Tech Lighting, L.L.C. All rights reserved. The "Tech Lighting" graphic is a registered trademark of Tech Lighting, L.L.C. Tech Lighting reserves the right to change specifications for product improvements without notification.  
A Generation Brands Company