



Shower - FM products

xTOOL Concealed thermostat rough with three volume controls -

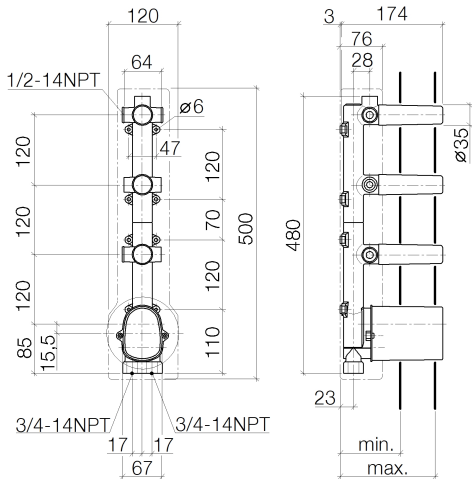
Article number: 35 547 970-90 0010



- brass, lead free
- 2x back flow preventer
- Integrated supply stops
- 1/2" connection
- 2x connections 3/4" (hot/cold)
- Thermostat cartridge
- 2x Shaft and sleeve can be cut to length
- 3x Mud guard
- 2x Water protection
- Sound insulation
- Center to center 4-3/4"



Dimensional drawing



	min	max
Source	79	114
Circle	80	110
Lulu	80	110
Madison	80	110
Madison Flair	80	110
TARA LOGIC	80	110
Mets.02	80	110
Soul	80	110
Square	80	110
Cult	80	110
L'Aura	80	110
Domicil	85	110
Just	80	155
LaFleur	95	160
SUPERNOVA	95	160
Symetric	95	160
VEQUE	95	160
Tara	95	160
MEM	115	156
CL.1	115	156

All dimensions in mm / inch = mm x 0,0394

Model/program/technical modifications and error excepted
For more information see: www.dornbracht.com + 49 (0) 2371 433-460 mail@dornbrachtgroup.de



Shower - FM products

xTOOL Concealed thermostat rough with three volume controls -

Article number: 35 547 970-90 0010



Shower - FM products

xTOOL Concealed thermostat rough with three volume controls -

Article number: 35 547 970-90 0010

Recommended article



12 177 970 90
Extension 1-1/8" -



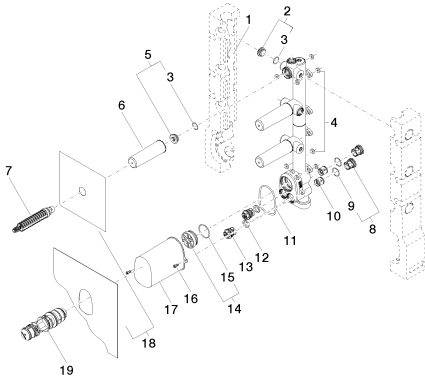
12 178 970 90
Extension 1-3/4" -

Shower - FM products

xTOOL Concealed thermostat rough with three volume controls -

Article number: 35 547 970-90 0010

Spare parts list



Number	Item Number	Designation	Number of units
1	09 11 11 009 90	Accessories FM -	1
2	04 31 20 062 10 90	Plug for European drain -	4
3	09 14 10 053 90	Washer -	7
4	04 14 05 045 00 90	Washer -	1
5	04 31 20 006 00 90	Plug for European drain -	3
6	09 21 02 102 90	Protective cap -	3
7	90 90 03 143 00 90	Ceramic cartridge clockwise-closing -	3
8	04 21 34 077 00 90	Automatic flow rate regulator -	2
9	09 14 10 098 90	Washer -	2
10	09 23 01 045 90	Application -	2
11	09 14 10 189 90	Washer -	1
12	09 14 05 002 90	Washer -	2
13	04 29 05 031 00 90	insert	2
14	04 31 20 100 00 90	Plug for European drain -	1
15	09 14 10 111 90	Washer -	1
16	09 30 30 027 90	Mounting bracket -	2
17	09 21 02 103 90	Protective cap -	1
18	04 14 03 073 03 90	Washer -	1
19	90 15 02 065 00 90	Thermostatic cartridge -	1