



Warm

Design by Ramos & Bassols

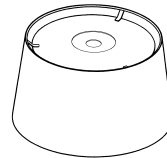
VIBIA
LIGHT IS CREATION

ASSEMBLY INSTRUCTIONS

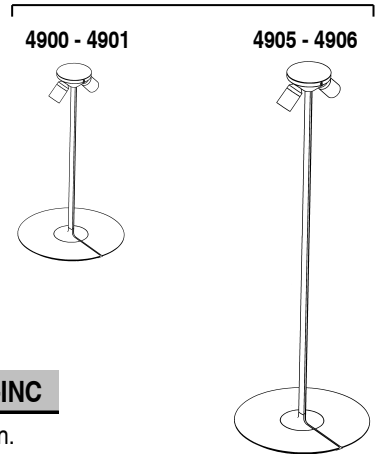
Version U01

SUPPLIED MATERIAL

1.



2.



	4900-INC	4901-INC	4905-INC	4906-INC
1 Shade	1 un.	1 un.	1 un.	1 un.
2 Lighting fixture	1 un.	1 un.	1 un.	1 un.

TECHNICAL SPECIFICATIONS

4900	Net Weight	8,37 lbs	3 x E-26 Med. Base 120V 40W Max.	IP20	~ 50-60 Hz	DRY LOCATION
4901	Net Weight	9,47 lbs	3 x E-26 Med. Base 120V 40W Max.	IP20	~ 50-60 Hz	DRY LOCATION
4905	Net Weight	9,03 lbs	3 x E-26 Med. Base 120V 40W Max.	IP20	~ 50-60 Hz	DRY LOCATION
4906	Net Weight	10,14 lbs	3 x E-26 Med. Base 120V 40W Max.	IP20	~ 50-60 Hz	DRY LOCATION

IP20 Product protected against solid object as big as or bigger than 12mm. No protection against water.

~ Alternating current

Caution

Before assembling and installing this product, carefully read the following:

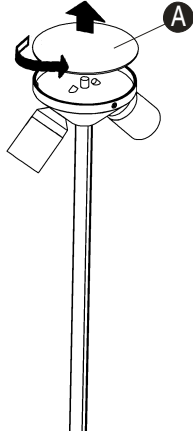
-Always use the recommended bulb

-Never use a bulb with a wattage exceeding the recommended one. Always use a bulb with the recommended wattage or lower.

-If the steel cable or the power cord of this lamp is damaged, it must be replaced only by the manufacturer or their technical service or by a person capacitated to this effect to avoid any risk.

ASSEMBLY INSTRUCTIONS

1

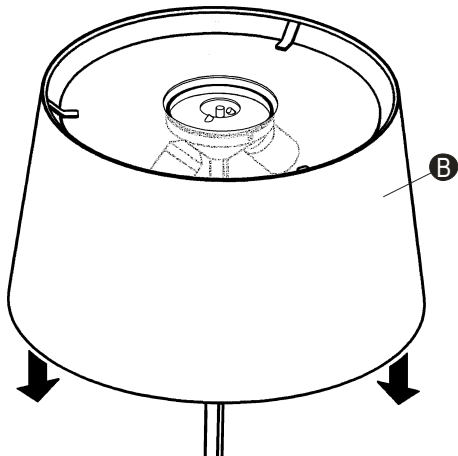


IMPORTANT NOTICE:

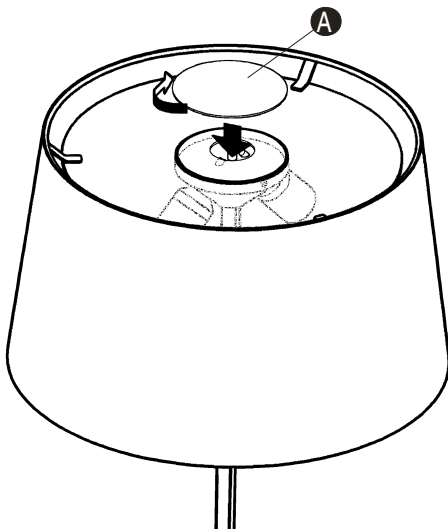
Caution: to avoid possible electrical shock, make certain electricity is shut off at main panel before wiring

1. Loosen and remove the top plate (A).
2. Assemble the shade (B) according to the drawing.
3. Fix the shade screwing the top plate (A) and assembly the indicated bulb.

2



3



Maintenance

- Use a slightly-wet cotton cloth for cleaning.
- In case of malfunction or damage, please contact the retailer who sold the lamp.