

Demetra Professional LED wall matte black

SPECIFICATIONS

DEM2102



Design By

Naoto Fukasawa

Collection

Design



Specifications

Delivered lumens	869lm
Light output ratio	72lm/W
Power consumption	12W
Led type	10W C.O.B.*
CCT (Correlated Color Temperature)	3000K
CRI (Color Rendering Index)	>90
Life expectancy	50000Hrs
Control type	DIMMABLE (On Head) / No Motion Sensor
Input Voltage	120-240V
Driver	Plug-In

Colors & Finishes

Matte Black

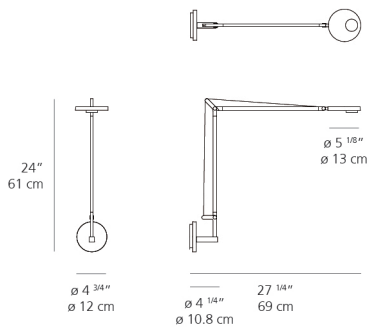
Materials

- Head in die-cast aluminum
- Arm in extruded aluminum
- Lower head diffuser in thermoplastic
- Internal tension springs and external tension control cables in aluminum
- Wall support in painted aluminum

Features & Accessories

- Anti-glare reflector
- Fully adjustable arms and head
- Tiltable and rotatable diffuser
- Bottom of the head's body works as a heatsink for maximum heat dissipation

Dimensions



Packaging

2 Boxes

1 x 42" x 14" x 2-5/8" / 5.62 lbs - 106.5 cm x 35.5 cm x 6.5 cm / 2.55 kg

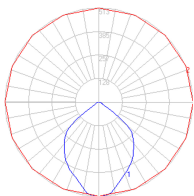
1 x 7-15/16" x 7-15/16" x 6-3/8" / .77 lbs - 20 cm x 20 cm x 16 cm / .35 kg

Light distribution

Direct

Luminaire weight

2.42 lbs / 1.1 kg



Red = Max Cd. Through Vertical plane

Blue = Max Cd. Through Horizontal plane

Warranty