

# SPECTICA 6 CHANDELIER

## PRODUCT FEATURES

- Entirely modern take on the traditional chandelier
- Conveniently adjustable look with a swiveling canopy, adjustable arms and rotating head
- Available in Matte Black
- Fully dimmable unidirectional Integrated LED light source
- Ideal for dining room settings, foyers and conference rooms
- 5 year warranty. Visit [techlighting.com](http://techlighting.com) for more warranty details



## LAMPING

LED includes (6) 7.2 watt, 46.6 total watts, 2771 total delivered lumens 90 CRI 3000K LED module. Dimmable with most LED compatible ELV and TRIAC dimmers. 277V compatible with 0-10V dimmers. Includes three 12in stems, two 6in stems and one 3in stem. Can be installed on a sloped ceiling up to 45°.

Matte Black



Matte Black

## ORDERING INFORMATION

| 700SPCT | COLOR   | FINISH        | LAMP   |
|---------|---------|---------------|--|
|         | ACRYLIC | B MATTE BLACK | -LED930 LED 90 CRI 3000K 120V<br>-LED930-277 LED 90 CRI 3000K 277V |

700SPCT

JOB NAME

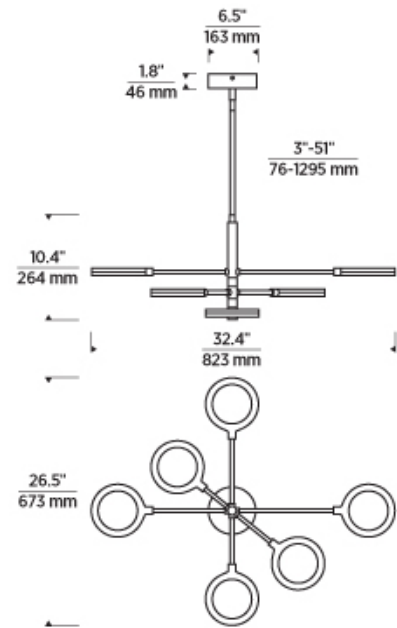
NOTES



# SPECTICA 6 CHANDELIER

## SPECIFICATIONS

|                               |             |
|-------------------------------|-------------|
| HARDWARE MATERIAL             | Metal       |
| SHADE MATERIAL                | Aluminum    |
| NET WEIGHT                    | 7.5 lbs     |
| HEIGHT                        | 10.4in      |
| WIDTH                         | 26.5in      |
| LENGTH                        | 32.4in      |
| UP LIGHT / DOWN LIGHT / BOTH? |             |
| WET LISTED                    |             |
| DAMP LISTED                   | Yes         |
| DRY LISTED                    |             |
| MIN. HANGING HEIGHT           | 21in        |
| MAX HANGING HEIGHT            | 85.2in      |
| TOTAL CORD LENGTH             |             |
| TOTAL STEM LENGTH             | Up to 51in  |
| STEM QTY                      | 6           |
| SLOPED CEILING ADAPTABLE?     | Yes 45° Max |
| GENERAL LISTING               | ETL Listed  |
| INCLUDES                      |             |



## LAMPING SPECIFICATIONS

|                       | LED LAMP | INTEGRATED LED                          | NON LED | NO LAMP |
|-----------------------|----------|---|---------|---------|
| DELIVERED LUMENS      |          | 2771                                    |         |         |
| WATTS                 |          | 46.6                                    |         |         |
| MAX WATTAGE PER BULB  |          | 46.6W                                   |         |         |
| INPUT VOLTAGE         |          | 120V<br>277V                            |         |         |
| DIMMING TYPE*         |          | Acrylic : ELV, TRIAC<br>Acrylic : 0-10V |         |         |
| CCT                   |          | 3000K                                   |         |         |
| CRI                   |          | 90 CRI                                  |         |         |
| LED LIFETIME          |          |   |         |         |
| L70                   |          | >50000                                  |         |         |
| AVERAGE BULB HOURS    |          |   |         |         |
| FIELD SERVICEABLE LED |          |   |         |         |
| LAMP BASE             |          | Integrated LED                          |         |         |
| LAMP SHAPE            |          | Integrated LED                          |         |         |
| LAMP INCLUDED?        |          | True                                    |         |         |
| WARRANTY**            |          | 5 Years                                 |         |         |

\* Dimming information available at [www.techlighting.com/Downloads#dimming](http://www.techlighting.com/Downloads#dimming)

\*\* Visit [techlighting.com](http://techlighting.com) for specific warranty limitations and details.

## T20 / T24 / JA8 INFORMATION

|   | Integrated LED | Replacement LED Lamp | No Lamp * |
|---|----------------|----------------------|-----------|
| This product can be used to comply with California Building Energy Efficiency Standards 2016 Title 24 Part 6 / JA8.                           | Yes            |                      |           |
| This product can be used to comply with California Appliance Efficiency Standards 2016 Title 20 and may be shipped to and sold in California. | N/A            |                      |           |

\* If a light fixture or component does not include a lamp or light source, it is the responsibility of the customer to select a lamp that meets the T24 and T20 requirements.

