



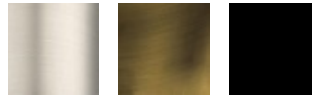
Project: _____

Location: _____

Fixture Type: _____

Catalog Number: _____

AVAILABLE FINISHES:



Double Bubble

PD-82006

PRODUCT DESCRIPTION

A minimalist take on a crystal ball. Two geometrically concentric spheres are laser-etched within K9 optically perfect crystal. When illuminated with the latest in LED technology the double bubble within is a curious diffuse floating light.

FEATURES

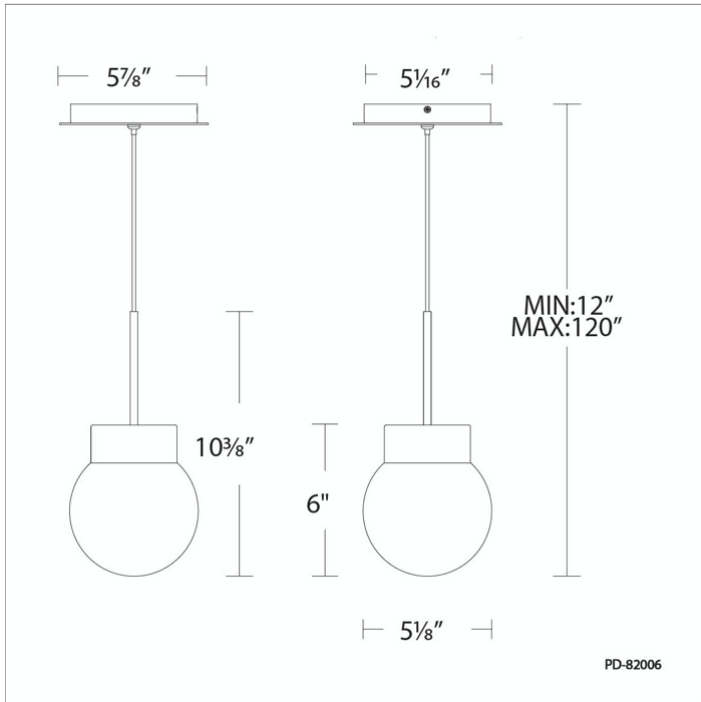
- Driver installed within the Junction Box, driver dimension: 2.8" x 1.3" x 1.2"
- Light is evenly diffused through laser etched crystal ball
- Can be mounted on a sloped ceiling
- Thin powered aircraft cables provide an ultra clean look for adjustable suspension height
- Title 24 option available (special order) with driver concealed within canopy

SPECIFICATIONS

| | |
|------------------|----------------------------------|
| Rated Life | 50000 Hours |
| Standards | ETL, cETL, Damp Location Listed |
| Input | 120-277V, 50/60Hz |
| Driver Dimension | 2.8" x 1.3" x 1.2" |
| Dimming | ELV |
| Color Temp | 3000K |
| CRI | 90 |
| Construction | Steel body with crystal diffuser |

REPLACEMENT PARTS

RPL-GLA-68809 - Replacement Glass



| Model & Size | Color Temp | Finish | LED Watts | LED Lumens | Delivered Lumens |
|--------------|------------|-----------------|-----------|------------|------------------|
| PD-82006 6" | 3000K | AB Aged Brass | 7.4W | 559 | 538 |
| | 3000K | BK Black | 7.4W | 559 | 538 |
| | 3000K | SN Satin Nickel | 7.4W | 559 | 538 |

Example: **PD-82006-SN**

•For Title 24 option add a "T24" before the finish: PD-82006-T24-AB

For custom requests please contact customs@modernforms.com