



Specifications

Buy it for looks. Buy it for life.®

DESCRIPTION

- Metal construction
- Installs on 10" (254mm) centers minimum
- Designed to be installed on finished decks up to 2-5/8" (67mm)
- 24" quick connect hose
- 1/2" IPS inlets
- Includes test plug

OPERATION

- Can be installed with One Handle Moen deck mounted roman tub trim kit
- Pivot action lever style handle

FLOW

- Designed to deliver 7.0 gpm max (26.6 L/min) at 45 psi

CARTRIDGE

- Ceramic disc cartridge (with temperature limit stop)
- Nonmetallic non-ferrous materials

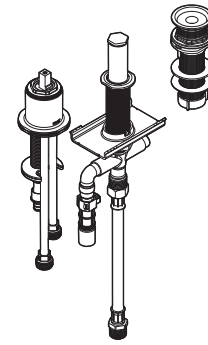
STANDARDS

- Designed and manufactured to comply with the applicable requirements of: ASME A112.18.1/CSA B-125.1 and all applicable requirements referenced therein

WARRANTY

- Lifetime limited warranty against leaks, drips and finish defects to the original consumer purchaser
- 5 year warranty if used in commercial installations

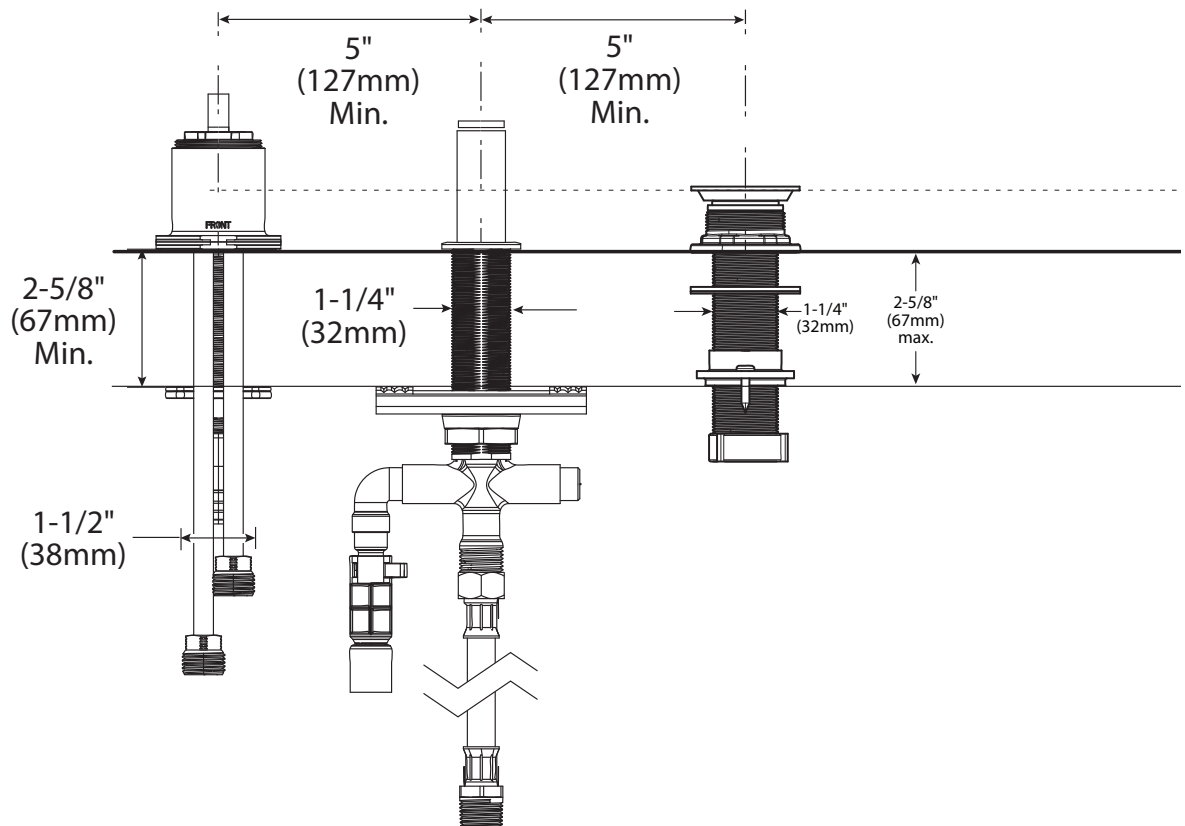
NOTE: Plumbing codes require this product to be used with a device conforming to ASSE.



Model: 4791

**Moen®
Roman Tub
Rough-In Valve**

104465 Thermostatic mixing valve sold separately is certified to ASSE 1070 and CSA B-125.3



CRITICAL DIMENSIONS

(DO NOT SCALE)