

# Assembly & Installation Instructions

**A447**

Divergence Outdoor Pendant 362015

Page 1 of 4

**CAUTION: FAILURE TO INSTALL THIS FIXTURE PROPERLY MAY RESULT IN SERIOUS PERSONAL INJURY OR DEATH AND PROPERTY DAMAGE. We recommend installation by a licensed electrician.**

This product must be installed in accordance with applicable installation code(s), by a person familiar with the construction and operation of the product and the hazards involved.\*

**Caution:** Do not exceed maximum wattage noted on fixture. Use only recommended bulbs with fixture.

**Please Note:** After installation extra hardware and accessories are possible due to our kits are used on multiple products and options.

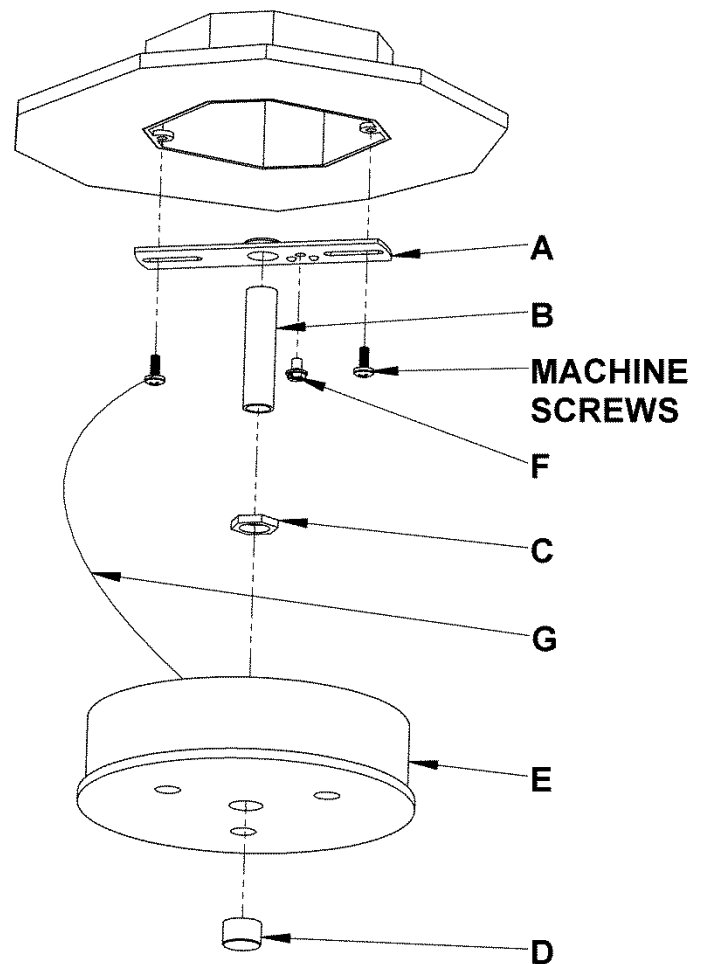
## **To Install Canopy** (Figure 1)

### Component Parts

A	Crossbar	D	Cap	G	Safety Cable
B	Threaded Nipple	E	Canopy		
C	Lock Nut	F	Ground Screw		

**Caution: Be sure power is off at the main breaker box prior to installation.**

1. Carefully unpack the fixture from the carton. Locate crossbar (A), threaded nipple (B) with cap (D), and the lock nut (C).
2. Using two machine screws (not provided), fasten the crossbar (A) to the electric box.  
*Note: A new electric box comes with screws. When replacing a fixture, retain the existing screws for use with the new fixture.*
3. Unscrew the cap (D) from the end of the threaded nipple (B). Screw the threaded nipple (B) into the cross bar (A).
4. Lift canopy (E) up to the ceiling allowing the threaded nipple (B) to come through the hole in the center of the canopy (E).
5. Screw the cap (D) onto the threaded nipple (B) to hold the canopy (E) to the ceiling. Adjust the height of the threaded nipple (B) until the cap (D) tightens fully with the canopy (E) flush to the ceiling.
6. Remove cap (D) and canopy (E) from threaded nipple (B).
7. Thread lock nut (C) onto threaded nipple (B) until it hits the crossbar (A). This will lock the height of the threaded nipple (B)
8. Unscrew and use one of the machine screws from the crossbar (A) to attach the safety cable (G) from the canopy (E) to the crossbar (A). Suspend the canopy (E) from the safety cable (G).
9. See following pages to complete installation



(Figure 1)

(continued)

# Assembly & Installation Instructions

**A447**

Divergence Outdoor Pendant 362015

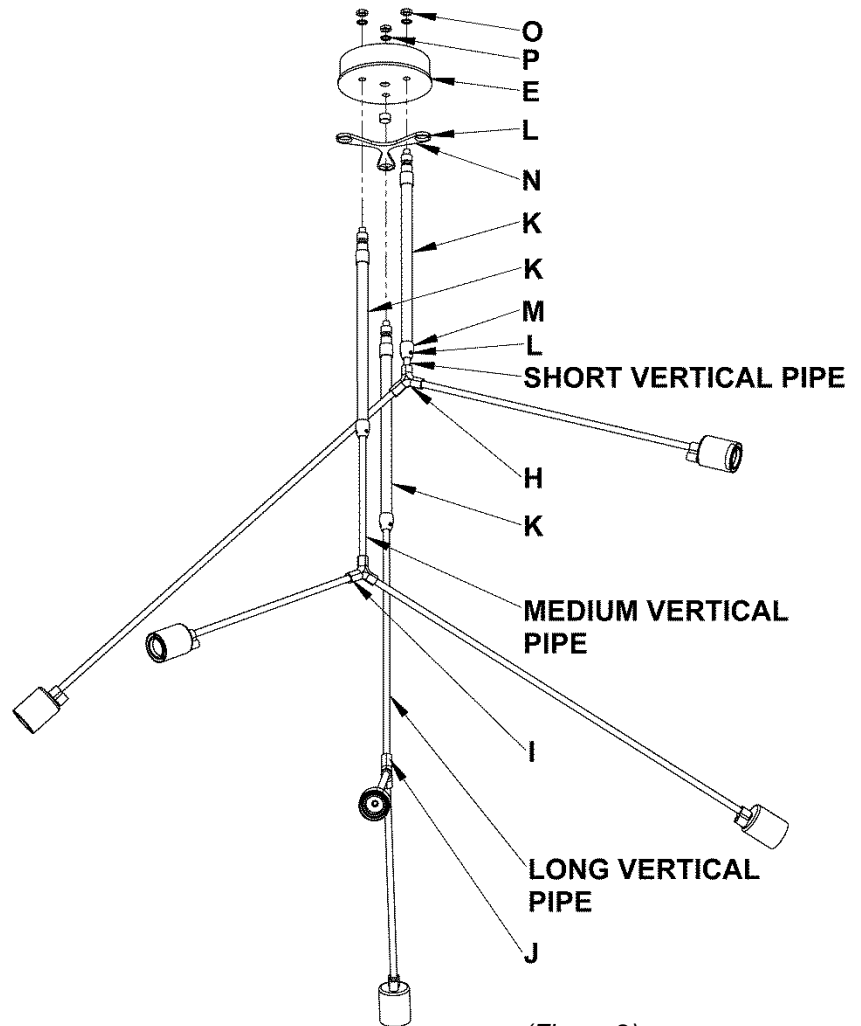
Page 2 of 4

## To Assemble Fixture (Figure 2)

### Component Parts

- |                    |                   |
|--------------------|-------------------|
| E Canopy           | L Set Screws (12) |
| H Assembly H       | M Clutch          |
| I Assembly I       | N Tri-plate       |
| J Assembly J       | O Nut             |
| K Canopy Pipes (3) | P Lock Washer     |

1. Locate assembly H, which has the shortest vertical pipe of the 3 assemblies.
  2. Slide the canopy pipe (K) over the vertical pipe of assembly H and tighten set screws (L) into clutch (M) enough to hold assembly H during installation and then set assembly H aside.
  3. Locate assembly I, which has the medium length vertical pipe out of the 3 assemblies.
  4. Repeat step 2 for assembly I.
  5. Locate assembly J, which has the longest vertical pipe of the 3 assemblies.
  6. Repeat step 2 for assembly J.
  7. Run the wires from assembly H through one hole of the tri-plate (N) and bring that plate down to rest on top of the clutch (M)
  8. Run the wires from assembly H through a hole in the canopy (E) and secure assembly H to the canopy using a provided lock washer (P) and nut (O) so that the longer of the two downward pipes is pointing toward the center of the canopy (E)
  9. Repeat steps 7 & 8 for assembly I
  10. Repeat steps 7 & 8 for assembly J
  11. One clutch (M) at a time, loosen set screws (L) and adjust the assemblies as far as necessary to give you the total length of the fixture which you desire. There must be a minimum 1-1/2" of vertical pipe inside the canopy pipe (K).
  12. Tighten the three set screws (L) in clutch (M) firmly with hex wrench provided.
- Note: Be sure to tighten evenly so that the vertical pipe of the assembly stays centered in clutch (M)**
13. Push tri-plate (N) down onto the three clutches (M) and using screw driver provided tighten the three set screws (L) in the tri-plate until snug.
  14. See following pages to complete installation



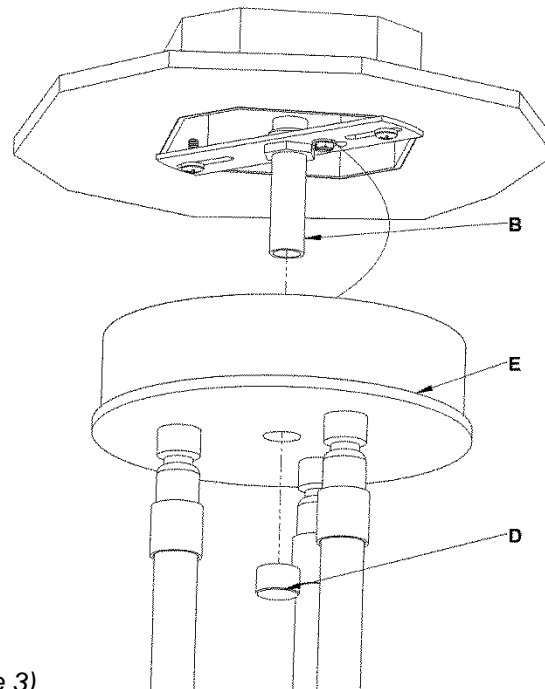
(Figure 2)

## **To Install Fixture** (Figures 3)

### Component Parts

- B Threaded Nipple
- D Cap
- E Canopy

1. Using one of the provided wire nuts connect four (4) of the black wires from the fixture with one of the provided black lead wires
2. Using another one of the provided wire nuts connect four (4) of the white wires from the fixture with one of the provided white lead wires
3. Connect the remaining end of white lead wire and the two remaining white fixture wires to the white supply wire.
4. Connect the remaining end of white lead wire and the two remaining white fixture wires to the white supply wire.
5. Using provided wire connectors connect the remaining end of the white lead wire and the two remaining white fixture wires to the white supply wire.
6. Using provided wire connectors connect the remaining end of the black lead wire and the two remaining black fixture wires to the black supply wire.
7. Add a green jumper wire from the stud inside the canopy to the ground screw (F) on crossbar (A). Connect all ground wires (bare copper or green to bare copper or green). *Caution: Make sure wire connectors are twisted on securely, and no bare wire is exposed.*
8. Slide canopy (E) over threaded nipple (B) and push firmly to ceiling, making sure no wires are pinched between fixture canopy and ceiling. Fasten with cap (D). (Figure 3)
9. Refer to instructions following to install accents.



(Figure 3)

(continued)

# Assembly & Installation Instructions

Divergence Outdoor Pendant 362015

**A447**

Page 4 of 4

## To Install Accents (Figure 4 & 5)

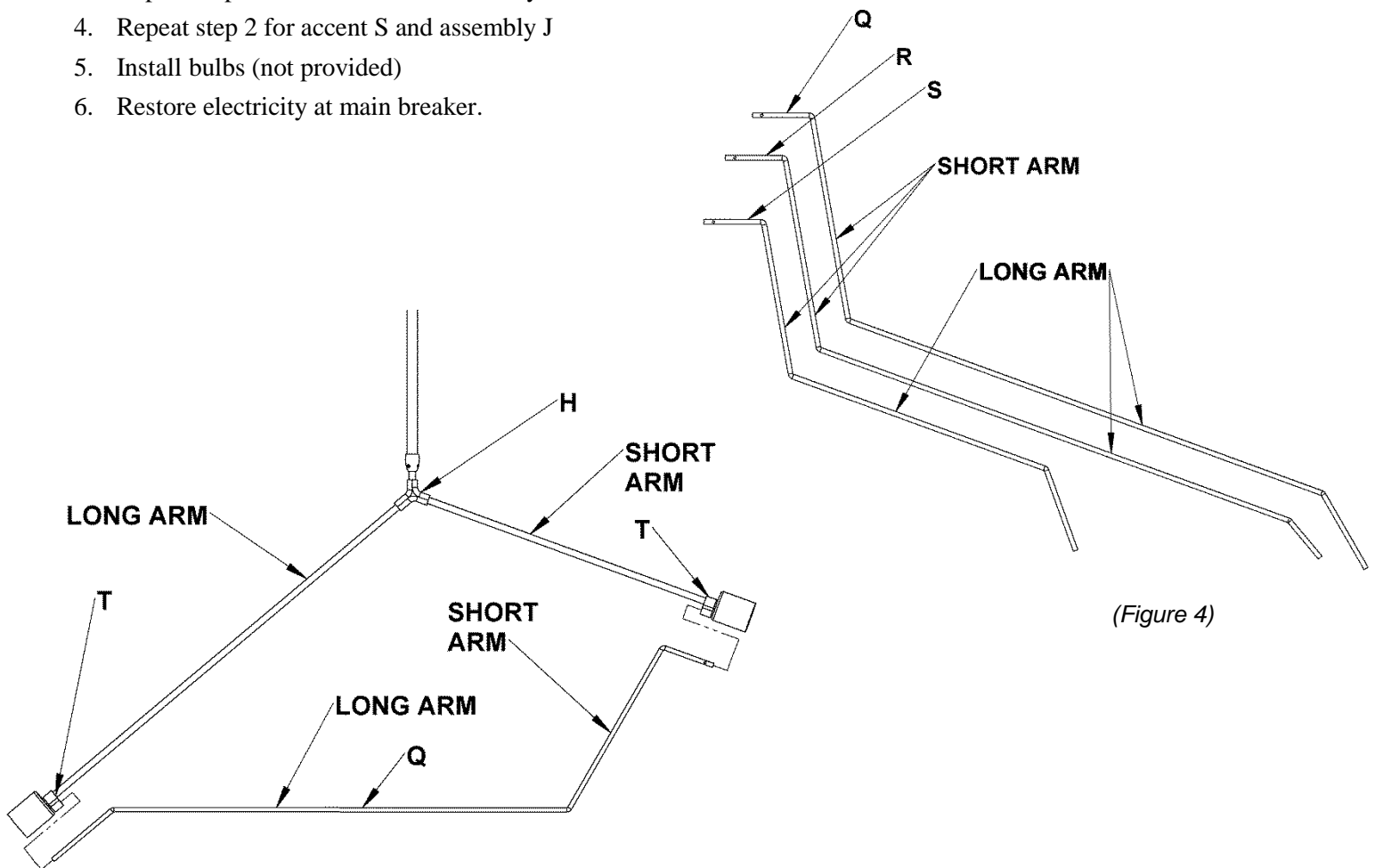
### Component Parts

H	Assembly H	Q	Accent Q	T	Accent Holder
I	Assembly I	R	Accent R		
J	Assembly J	S	Accent S		

1. Locate and identify the three accent pieces (Figure 4)

**Note: Each accent has a short arm and a long arm which will determine orientation**

2. The long arm of accent Q will be installed into the accent holder (T) on the long arm of assembly H and the short arm of accent Q will be installed into the accent holder (T) on the short arm of assembly H (Figure 5)
3. Repeat step 2 for accent R and assembly I
4. Repeat step 2 for accent S and assembly J
5. Install bulbs (not provided)
6. Restore electricity at main breaker.



(Figure 5)

(Figure 4)

*If you need further assistance, or find that you are missing any parts, please contact the dealer from which you purchased this product. We hope you enjoy your fixture*

Hubbardton Forge will not be liable for injury or damage caused by improper installation, lamping or use of this fixture.