

# BLANCO

## Faucet Specifications

Colour	SKU
Stainless steel	402043

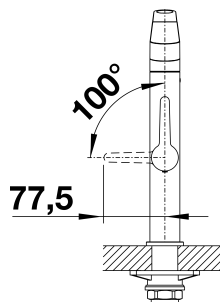
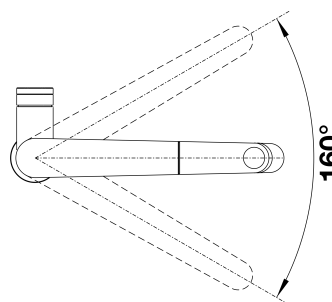
## Product Features

- Solid stainless steel construction
- Premium insulated stainless steel handspray
- 160° swivel for controlled range of motion
- Pull-out, insulated handspray with dual selectable spray patterns
- Ceramic disc cartridge
- 1.5 GPM (Gallons Per Minute) flow rate

## Planning information

ASME A112.18.1/ CSA B125.1, NSF/ANSI/CAN 61, NSF/ANSI 372 listed

## PANERA solid



## Warranty

Limited lifetime warranty on all sinks and faucets. One-year warranty on all accessories and soap dispensers.

## Code/Standards Compliance

BLANCO sinks and faucets are third-party tested and certified to CSA, cUPC, ANSI/ASME, IAPMO and NSF standards and listed by applicable certification bodies. For more information on individual product listings, contact our office or listing organization.



Need support? Learn more by watching our sink & faucet How-to videos:

<https://www.blanco.com/ca-en/support/how-to-videos/how-to-videos-for-sinks/>



BLANCO Canada Inc  
100 Corporation Drive  
Brampton ON L6S 6B5

## Tel & Fax

Tel: 905-494-2400 Toll free: 1-877-425-2626

Fax: 905-494-2425 Toll free: 1-877-825-2626

While BLANCO strives to provide accurate information, all images and dimensions in this document are intended for reference only and are subject to change at any time without notice. This document is not intended for use as an installation guide. For technical installation details, refer to installation instructions provided with the product. BLANCO assumes no responsibility for the use of superseded or voided specifications.

