

# Assembly & Installation Instructions

**A208**

For Antasia Semi-Flush 12-4710 & 12-4710E

Page 1 of 2

**CAUTION: FAILURE TO INSTALL THIS FIXTURE PROPERLY MAY RESULT IN SERIOUS PERSONAL INJURY OR DEATH AND PROPERTY DAMAGE. We recommend installation by a licensed electrician.**

This product must be installed in accordance with applicable installation code(s), by a person familiar with the construction and operation of the product and the hazards involved.\*

**Caution:** Do not exceed maximum wattage noted on fixture. Use only recommended bulbs with fixture.

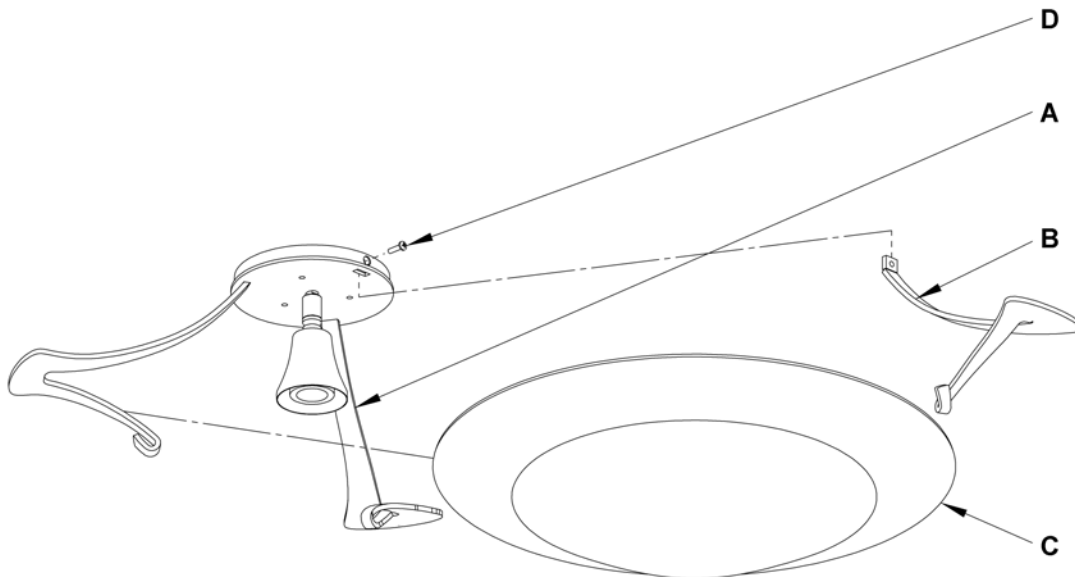
**Please Note:** After installation extra hardware and accessories are possible due to our kits are used on multiple products and options.

## **To Assemble Fixture** (Figure 1)

### Component Parts

- A Fixed Arms (2)
- B Loose Arm
- C Glass
- D Screw

1. Carefully unpack the fixture from the carton.
2. Loosen and remove screw (D) allowing loose arm (B) to be removed. Save for later use. *Note: Arm is shipped installed.*
3. Slip glass (C) into two fixed arms (A).
4. Slip loose arm (B) up through hole in canopy and attach with screw (D) until snug.



(Figure 1)

(continued)

# Assembly & Installation Instructions

For Antasia Semi-Flush 12-4710 & 12-4710E

**A208**

Page 2 of 2

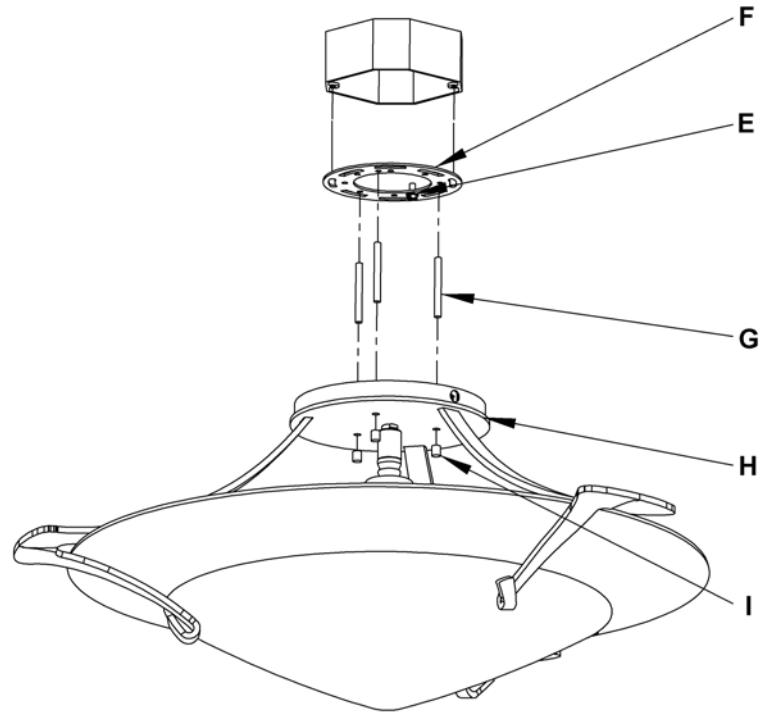
## To Install Fixture (Figure 2)

### Component Parts

- E Ground Screw
- F Crossbar
- G Threaded Stud (3)
- H Canopy
- I Barrel Knobs (3)

### **Caution: Be sure power is off at the main breaker box prior to installation**

1. Thread studs (G) through appropriate holes in crossbar (F) to match hole centers in canopy (H). Move ground screw (E) to another available threaded hole if necessary.
2. Using two machine screws (not provided) fasten crossbar (F) to the electric box using outer oval holes to orient fixture to desired hanging position.  
**Note:** A new electric box comes with screws. When replacing an existing fixture, retain the screws for use with the new fixture.
3. Using suitable wire connectors (not provided); connect fixture wires to supply wires (white to white and black to black). Connect all ground wires to green ground screw (E). **Caution:** Make sure wire connectors are twisted on securely, and no bare wire is exposed.
4. Slide fixture canopy (H) over threaded studs (G) and push firmly to ceiling, making sure that no wires are pinched between fixture canopy and ceiling. Fasten with barrel knobs (I). Be sure studs (G) are fully seated in barrel knobs (I).
5. Install bulb. Socket swings for ease to install bulb.  
*Fluorescent version bulb is included.*
6. Restore electricity at main breaker.



(Figure 2)

*If you need further assistance, or find that you are missing any parts, please contact the dealer from which you purchased this product. We hope you enjoy your fixture!*

\* Hubbardton Forge will not be liable for injury or damage caused by improper installation, lamping or use of this fixture.