

Snap Louver Lens Holder

_00A06-CH

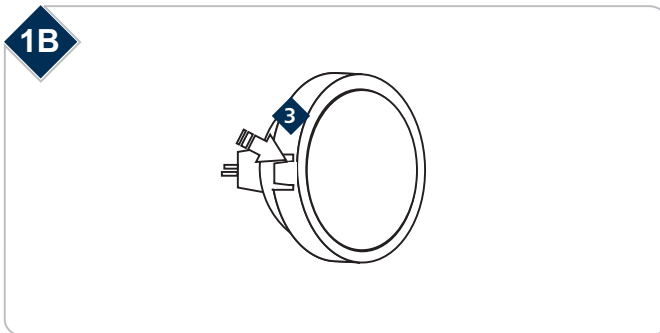
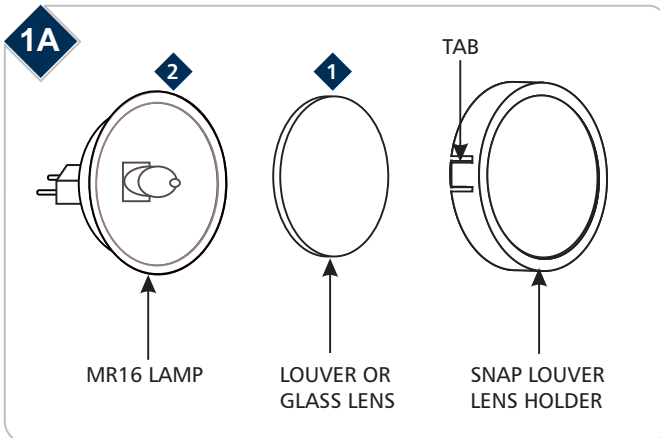
1.0



ENCOMPASS LIGHTING GROUP
ACCESSORIES



Installing a Snap Louver Lens Holder to an MR16 Lamp



- 1 Place the louver or the glass lens (optional) into the Snap Louver Lens Holder.
- 2 Place the MR16 lamp into the Snap Louver Lens Holder.
- 3 Press the tabs on both sides of the Snap Louver Lens Holder against the MR16 lamp to keep it in the position.

SAVE THESE INSTRUCTIONS!



ENCOMPASS LIGHTING GROUP

7400 Linder Ave, Skokie, IL 60077

847.410.4400

www.encompasslighting.com

© 2008 Encompass Lighting Group. All rights reserved. The "Encompass Lighting Group" graphic is a registered trademark of Encompass Lighting Group. Encompass Lighting Group reserves the right to change specifications for product improvements without notification.

A Generation Brands Company