



# Vox® Rectangle

Above-counter Bathroom Sink  
K-2749-1

## Features

- Single faucet hole.
- Overflow drain.

## Material

- Vitreous china.

## Installation

- Drop-in or vessel.



ADA CSA B651

## Codes/Standards

ASME A112.19.2/CSA B45.1  
ADA  
ICC/ANSI A117.1  
CSA B651

## KOHLER® One-Year Limited Warranty

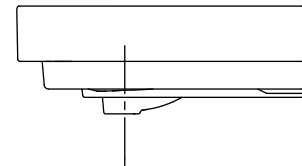
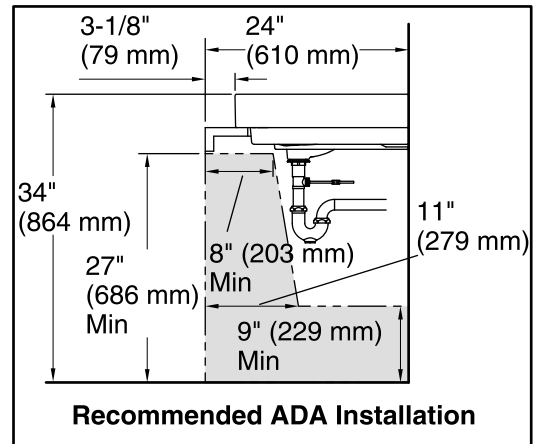
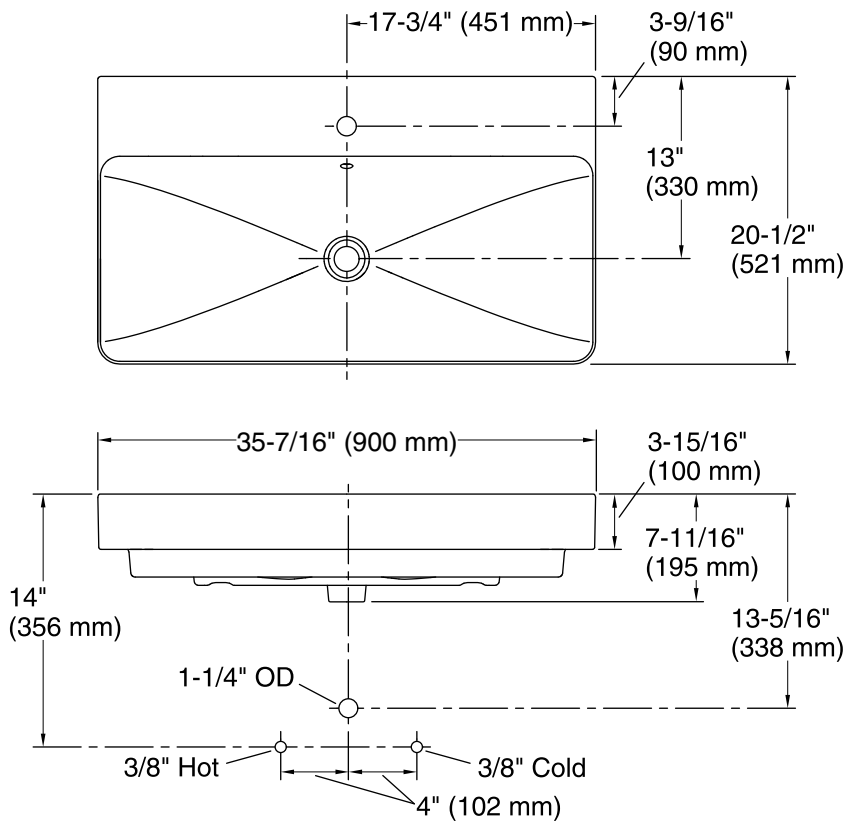
See website for detailed warranty information.

## Available Colors/Finishes

*Color tiles intended for reference only.*

| Color | Code | Description |
|-------|------|-------------|
|-------|------|-------------|

|  |   |       |
|--|---|-------|
|  | 0 | White |
|--|---|-------|



### Technical Information

All product dimensions are nominal.

|               |   |
|---------------|---|
| Installation: | Vessel  |
| Bowl area:    | Length: 34-11/16" (881 mm)<br>Width: 14-3/16" (361 mm)<br>Bowl depth: 5-11/16" (145 mm)<br>Water depth: 4-15/16" (125 mm) |
| Drain hole:   | 1-3/4" (45 mm)  |

### Notes

Install this product according to the installation instructions.

Choose a faucet that will provide adequate clearance and will direct the water stream to the center of the bathroom sink.

Countertop manufacturer or cutter must use the cut-out template provided with the product, or a current one provided by Kohler Co. (call 1-800-43-FOCUS). Kohler Co. is not responsible for cut-out errors when the incorrect cut-out template is used.

Product rests on countertop. Consider height when designing installation.

ADA, CSA B651 compliant when installed to the specific requirements of these regulations.