

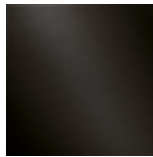


WC - CL.1

Tissue holder without cover - Dark Platinum matte

Article number: 83 500 705-99

- Width 7-7/8"
- Height 1-3/8"
- 2-3/4" Projection

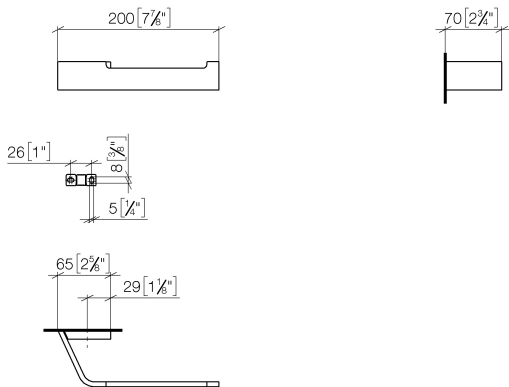


Dark Platinum matte

Discontinued items available to order until 31.12.9999

Dimensional drawing

mm [inches]



All dimensions in mm / inch = mm x 0,0394



WC - CL.1

Tissue holder without cover - Dark Platinum matte

Article number: 83 500 705-99



WC - CL.1

Tissue holder without cover - Dark Platinum matte

Article number: 83 500 705-99

Other surface finishes



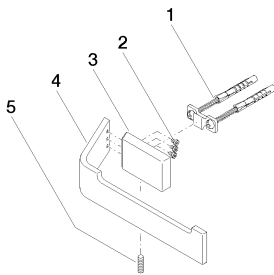
polished chrome
83 500 705-00



platinum matte
83 500 705-06

More custom finish options are available via special production (xTra Service). Please see our finish matrix for availability and pricing or contact a Dornbracht representative.

Spare parts list



Number	Item Number	Designation	Number of units
1	05 17 20 758 00 90	fixing set	1
2	09 30 30 191 90	screw	3
3	08 17 70 500-99	holder	1
4	08 17 70 553-99	holder	1
5	04 31 11 113 00 90	pin	1