

# Unterlinden suspension 3000K aluminum

## SPECIFICATIONS

1935018A



**Design By**  
Herzog & De Meuron

**Collection**  
Design



|                                    |                             |
|------------------------------------|-----------------------------|
| <b>Specifications</b>              |                             |
| Delivered lumens                   | 615lm                       |
| Light output ratio                 | 87.86lm/W                   |
| Power consumption                  | 7W                          |
| Led type                           | 6W C.O.B.*                  |
| CCT (Correlated Color Temperature) | 3000K                       |
| CRI (Color Rendering Index)        | >90                         |
| Life expectancy                    | 50000Hrs                    |
| Control type                       | On/Off                      |
| Input Voltage                      | 120V                        |
| Driver                             | TCl - 1 x DC-6W-350MA-STM/U |

### Colors & Finishes

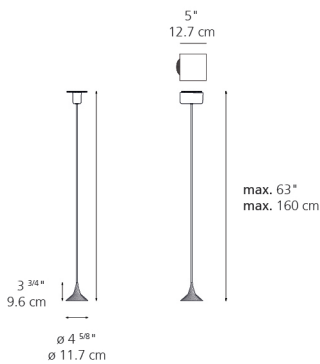
- Aluminum (Diffuser)
- Black (Cord & Canopy)

### Materials

- Body in die-cast aluminum
- Canopy in technopolymer

### Features & Accessories

### Dimensions



### Packaging

1 Box

1 x 12-11/16" x 8-3/8" x 5-3/16" / 2.2 lbs - 32 cm x 21 cm x 13 cm / 1 kg

### Light distribution

Direct

### Luminaire weight

1.32 lbs / .6 kg

### Warranty

5 year limited warranty