



#### Features

- Generous 6-foot oval shape provides an incredibly spacious bathing area.
- Molded lumbar support and armrests offer extra comfort while bathing.
- End drain.
- Under-mountable
- Textured bottom surface

#### Material

- Acrylic

#### Installation

- Drop-in or under-mount.
- Smooth backside for easy handling and mounting of drain and overflow.

#### Additional Hydrotherapy Options

- Soaking Bath - 1165-S1
- Soaking Bath + Bask heated surface - 1165-S1W
- BubbleMassage air bath - 1164-S1G
- Whirlpool - 1164-S1
- Whirlpool + heater - 1164-S1H
- Whirlpool + Bask heated surface - 1164-S1W

#### Recommended Products/Accessories

- K-577 Under-Mount Installation Kit
- K-1491 Bath/Whirlpool Pillow
- K-1601 Bath/Whirlpool Footstop
- K-11677 Bath Drain
- K-24916 Wireless Music Kit



#### Codes/Standards




CSA B45.5/IAPMO Z124  
Greenguard UL 2818 - Gold

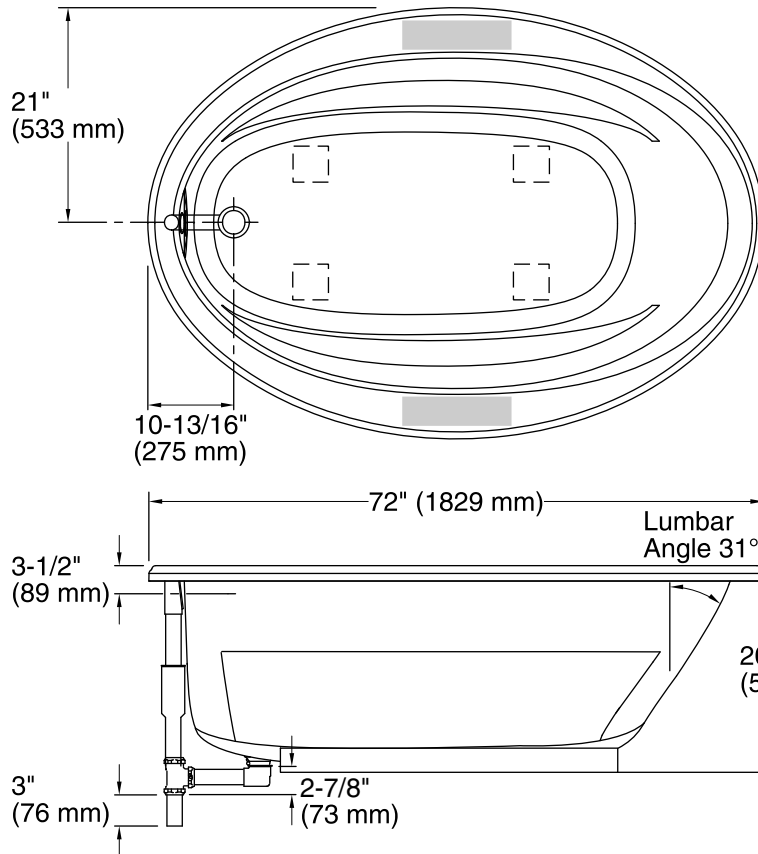
#### KOHLER® Plastic Baths and Receptors Lifetime Limited Warranty

See website for detailed warranty information.

#### Available Colors/Finishes

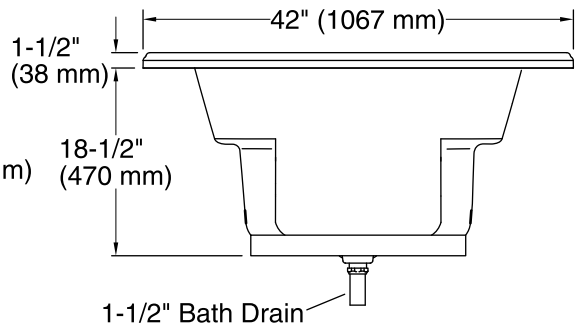
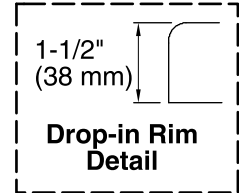
*Color tiles intended for reference only.*

Color	Code	Description
	0	White
	96	Biscuit
	47	Almond



No change in measurements if connected with drain illustrated. (K-11677)

Recommended faucet area



### Technical Information

All product dimensions are nominal.

Installation:	Drop-in
Drain location:	End
Basin area, bottom:	55-1/4" x 23-1/2" (1403 mm x 597 mm)
Basin area, top:	64-1/2" x 32" (1638 mm x 813 mm)
Weight:	75 lbs (34 kg)
Minimum floor load:	35 lbs/ft <sup>2</sup> (170.9 kg/m <sup>2</sup> )
Water depth:	15" (381 mm)
Water capacity:	75 gal (283.9 L)
Template:	Drop-in, 1042557-7, required, included

### Notes

Measure your actual product for rough-in details. Install this product according to the installation instructions.

The hot water supply should be 70% of the capacity of the bath or greater. Installations will vary.

No change in measurements if connected with drain illustrated.