

Windsor Pendant

700TDWDS_

1.1



PENDANTS

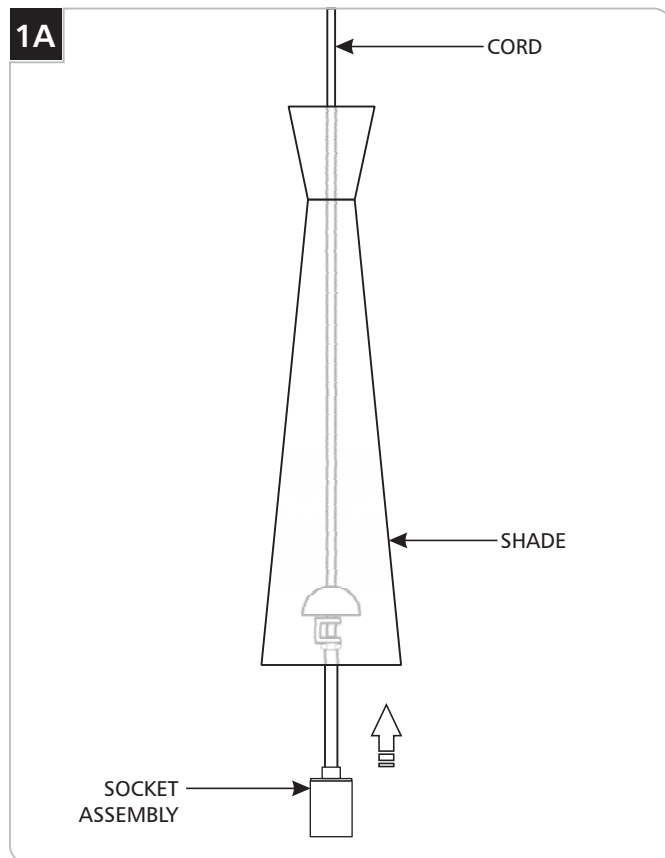
GENERAL PRODUCT INFORMATION:



This product is suitable for damp locations.

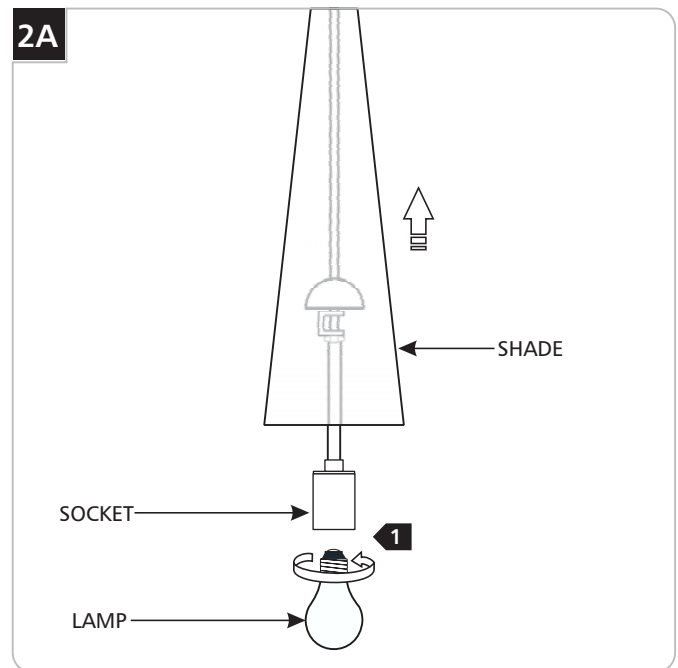


Install the Shade



1 Feed the cord and socket assembly through the shade.

Install the Lamp



CAUTION: To reduce the risk of a burn or electric shock during re-lamping, disconnect the power to the fixture.

Refer to fixture marking for lamp information.

- 1** Slide the shade up to expose the socket.
- 2** Screw the lamp into the socket.
- 3** Gently slide the shade down back into place.

SAVE THESE INSTRUCTIONS!



TECH LIGHTING®

7400 Linder Ave, Skokie, IL 60077

847.410.4400

www.techlighting.com

© 2016 Tech Lighting, L.L.C. All rights reserved. The "Tech Lighting" graphic is a registered trademark of Tech Lighting, L.L.C. Tech Lighting reserves the right to change specifications for product improvements without notification.

A Generation Brands Company