

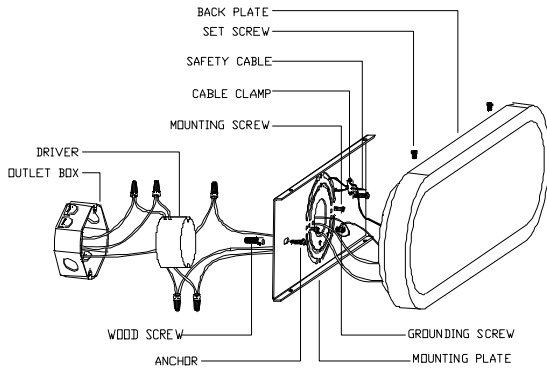
## INSTALLATION INSTRUCTIONS

3318, 3328

### GENERAL

1. To ensure the success of the fixture installation, the following instructions and diagram(s) should be read and understood.
2. All electrical connections must be made in accordance with the National Electric code and local codes and ordinances. If you are uncertain of the methods of installing electrical wiring and lighting fixtures secure the services of a qualified licensed electrician.
3. **THIS PRODUCT MUST BE INSTALLED IN ACCORDANCE WITH THE APPLICABLE INSTALLATION CODE BY A PERSON FAMILIAR WITH THE CONSTRUCTION AND OPERATION OF THE PRODUCT AND THE HAZARDS INVOLVED**

CE PRODUIT DOIT ÊTRE INSTALLÉ SELON LE CODE D'INSTALLATION PERTINENT, PAR UNE PERSONNE QUI CONNAÎT BIEN LE PRODUIT ET SON FONCTIONNEMENT AINSI QUE LES RISQUES INHÉRENTS

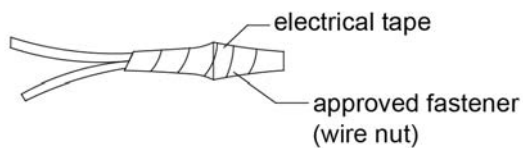


### TOOLS NEEDED

Blade screw driver, Phillips screwdriver, slip joint pliers or small adjustable wrench, wire cutter/stripper, electrical current tester, stepladder and electrical tape.

### INSTALLATION PREPARATION

1. **TURN OFF THE ENTIRE ELECTRICAL CIRCUIT TO WHICH THE LIGHTING FIXTURE IS TO BE ATTACHED.** Turn circuit breaker to the "off" position or completely remove the fuse controlling the circuit.
2. If an existing fixture is being replaced, remove it and note to which of the wires in the outlet box the fixture was attached. **DO NOT SEPARATE MULTIPLE TWISTED WIRES THAT MAY BE IN THE BOX. DO NOT DAMAGE THE INSULATION OF OLDER WIRING.** In regular circumstances the BLACK wire will be the "Hot" lead and the WHITE wire will be the "Neutral" or "Common" lead. A GREEN or BARE COPPER wire is the "Ground". In older buildings it is always good practice to reconfirm the polarity of the wiring.



Thank you for purchasing our lighting fixture.

Please clean with a soft, dry cloth **ONLY!** Do not use cleansers.

[www.hudsonvalleylighting.com/mitzi](http://www.hudsonvalleylighting.com/mitzi)

### FIXTURE INSTALLATION

1. Remove the fixture and parts bag(s) from the carton. Before discarding the carton, double check packing to make certain that all parts are found.
2. Using the mounting plate mark holes on the wall for the anchors. Drill holes on the wall and push the anchors into the wall. Place the mounting plate back over the wall and secure with the screws into each anchor, and outlet box.
3. Feed the SAFETY CABLE through one of the holes on the mounting plate, loop the SAFETY CABLE over the mounting plate.
4. Feed the SAFETY CABLE through the cable clamp. Tightly the cable clamp to lock the SAFETY CABLE in position.
5. Fasten the bare ground wire to the green or bare copper wire in the outlet box or the green screw on the mounting plate.
6. **NEVER FASTEN THE GROUND WIRE TO THE BLACK OR "HOT" WIRE ! FAILURE TO FOLLOW THIS INSTRUCTION COULD RESULT IN SERIOUS INJURY OR DEATH !**
6. Fasten the black fixture wire to the white wire in the outlet box. Fasten the wires together with an approved fastener (wire nut) Sterting about 1" below the fastener, tightly wrap the connection with electrical tape so that the tape seals the end of the fastener. **Make sure that there is no exposed wire or strands that could cause a dangerous short circuit !**
7. Connect the black fixture wires to the black wire in the outlet box. Fasten the joined wires as in step 6.
8. Place the back plate over the outlet box and fasten it by set screws.
9. Restore power to circuit at breaker or fuse box.

### DIMMING

The fixture can be controlled by a wall dimming device. Only use Triac/electronic dimmer. Make sure the carton is marked for use with LED compact fluorescent-incandescent light source only. These can be provided by your local electrical distributor, home center, or hardware store.

