

Lev Head MonoRail

700MOLEV_

1.0



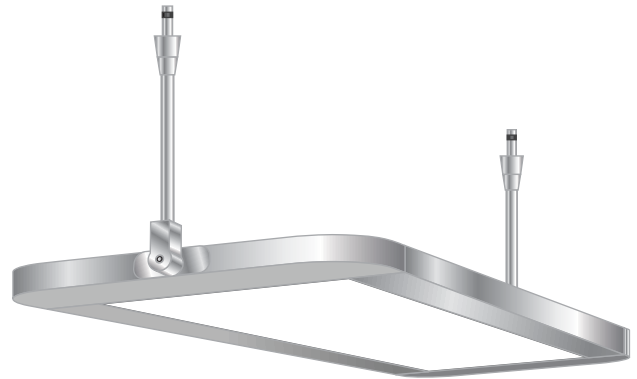
HEADS-LOW VOLTAGE

GENERAL PRODUCT INFORMATION:

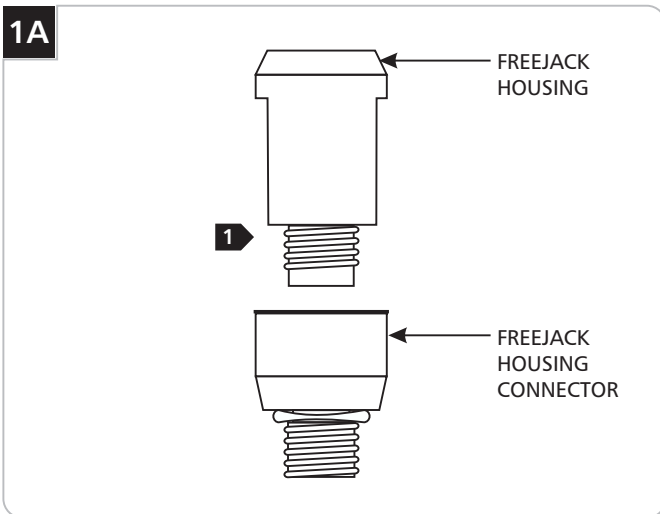


This product is suitable for indoor dry locations only.

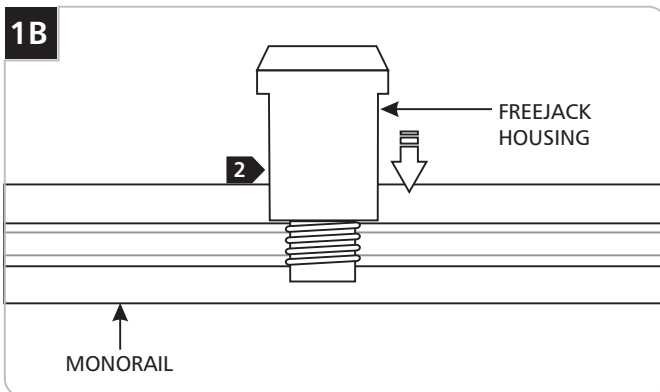
This product should be used with Tech Lighting MonoRail system only.



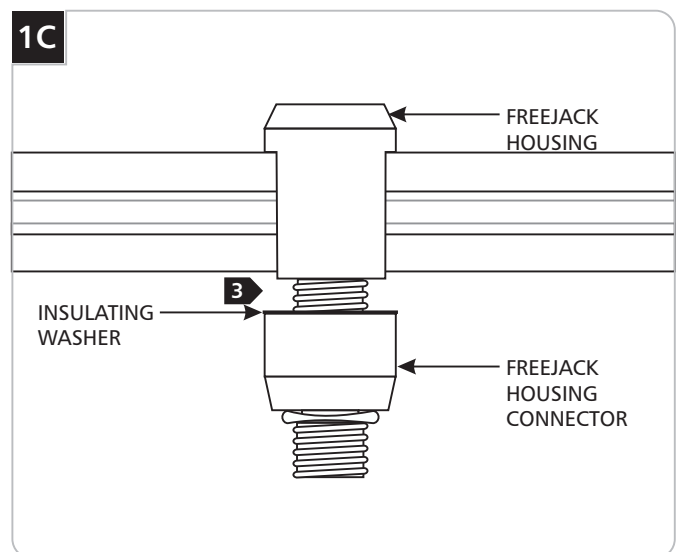
Install the FreeJack Connectors onto the MonoRail



1 Unscrew and separate the FreeJack housings from the FreeJack housing connectors.

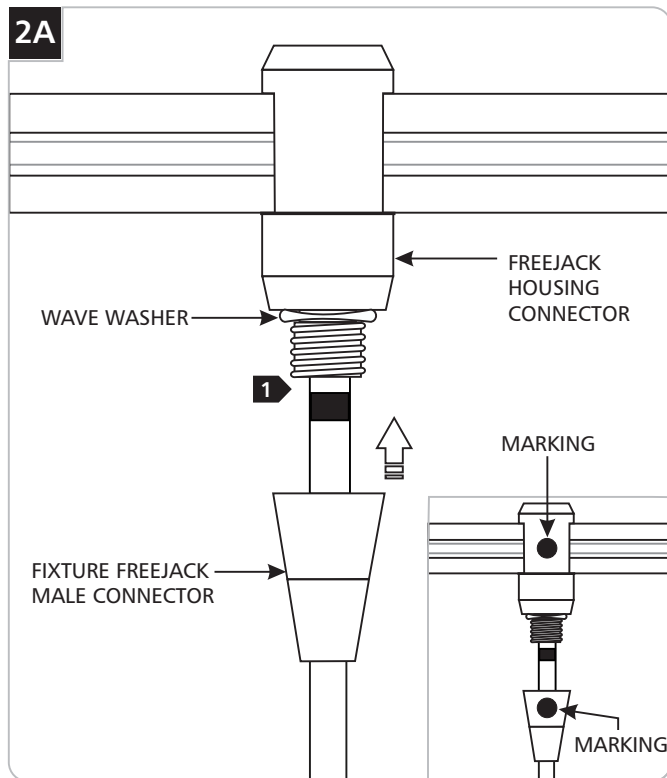


2 From top of the MonoRail, place both FreeJack housings onto the MonoRail.



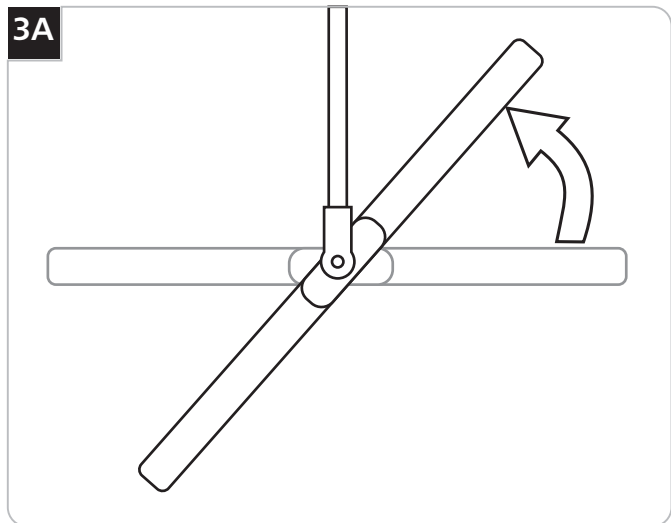
3 Ensure the spacing of the connectors are correct and tighten the FreeJack housing connectors to the FreeJack housings.

Connect the Fixture to the MonoRail FreeJack Connectors



- 1 Push and screw the fixture FreeJack male connectors all the way into the FreeJack housing connectors. Make sure to match the FreeJack male connector marked with the black dot to the FreeJack housing connector with the same marking.

Adjust the Fixture



- 1 Rotate the panel to the desired position.

SAVE THESE INSTRUCTIONS!



TECH LIGHTING®

7400 Linder Ave, Skokie, IL 60077

847.410.4400

www.techlighting.com

© 2016 Tech Lighting, L.L.C. All rights reserved. The "Tech Lighting" graphic is a registered trademark of Tech Lighting, L.L.C. Tech Lighting reserves the right to change specifications for product improvements without notification.

A Generation Brands Company