

Features

- Project Pack: Supplied 12 per case.
- Includes valve body, pressure balance cartridge, rough-in guide, and mudguard.
- 1/2" Female NPT inlets & outlets, with stops.
- Service stops include integral check valves.
- Requires valve trim to complete installation (sold separately).
- Includes valve body, pressure balance cartridge, rough-in guide and mud guard.
- 5.0 gpm (18.9 l/min) maximum flow rate at 45 psi.
- Single lever design cycles from off through cold to hot.
- Provides temperature regulation and automatic anti-scald protection.
- One piece cartridge design simplifies installation and maintenance.
- Adjustable high temperature limit stop to control maximum water temperature.

Material

- Forged De-zincification Resistant Brass body provides long term reliability and resistance to aggressive water conditions.

Technology

- Pressure-balancing diaphragm technology maintains outlet temperature within +/- 3 degrees Fahrenheit during water pressure fluctuations.

Installation

- Designed for use in standard, back to back, and thin wall installations.
- Valve body features integral mounting locations and symmetrical valve inlets to simplify installation.
- Rough-in guide designed for both standard and thin wall installations.
- Installed valve rough-in can be flushed and pressure tested to 150psi max (air or water) without cartridge, using K-10351 Test Cap.
- Cartridge is reversible for installations where hot and cold supplies are reversed.

Optional Products/Accessories

K-10350 Deep Rough-In Kit For K-8305 Cartridges
K-10351 Test Cap For K-8300 Series Valve Bodies

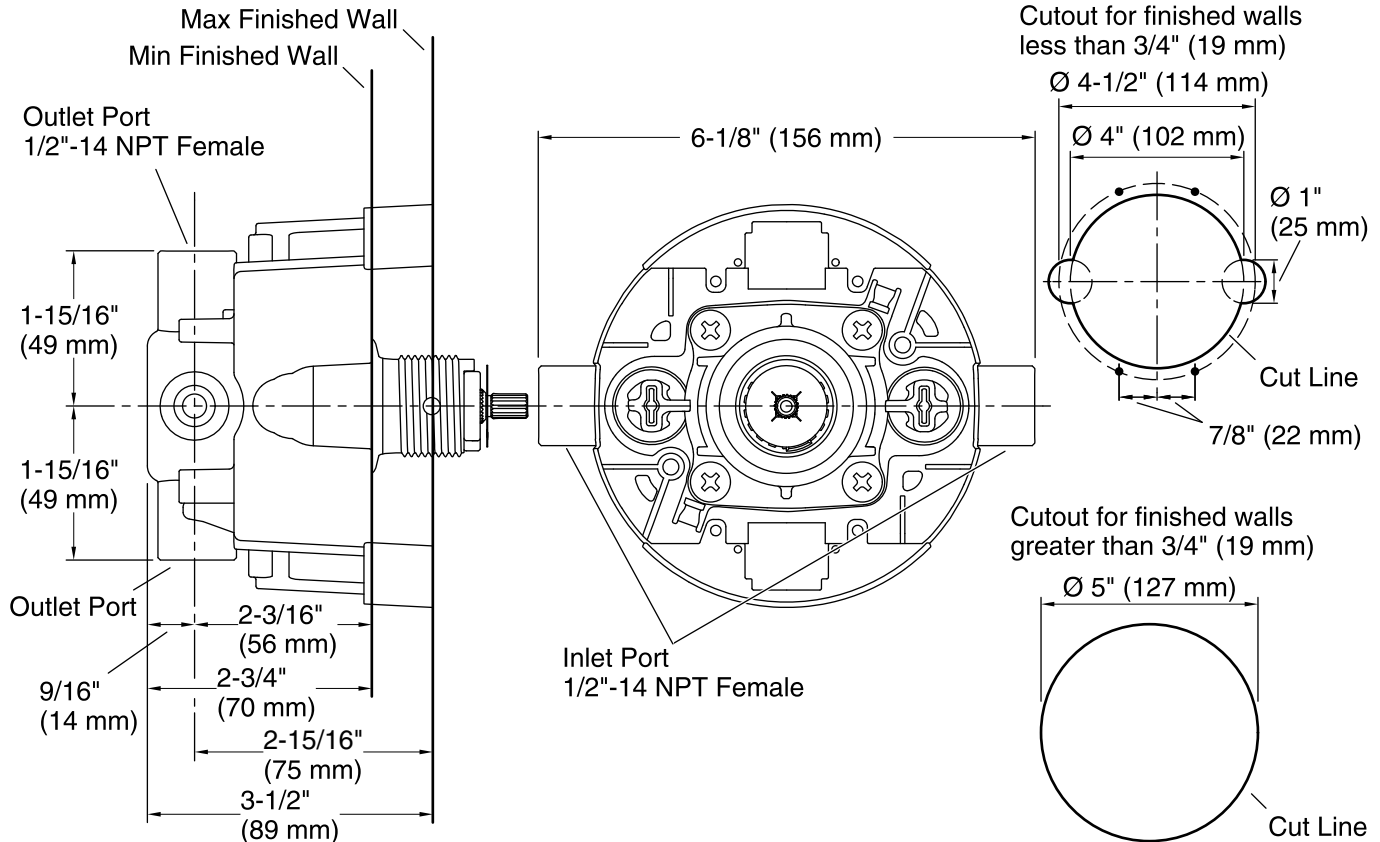


Codes/Standards

ASME A112.18.1/CSA B125.1
ASSE 1016/ASME A112.1016/CSA B125.16

KOHLER® Faucet Lifetime Limited Warranty

See website for detailed warranty information.



Technical Information

All product dimensions are nominal.

Shower Valve:

Min. pressure IN: 20 psi (1.4 bar)
Valve body: Machined-brass

Notes

Install this product according to the installation guide.

Avoid cross-flow conditions. Do not install a shut-off device on either valve outlet.

Cap the shower outlet if the deck-mounted spout, diverter, or handshower is connected to the spout outlet.

Install straight pipe or tube drop of 7" (178 mm) to 18" (457 mm) with single elbow between the valve and the wall-mount spout.

For finished walls greater than 3/4" (19 mm) and less than 1-1/2" (38 mm), install support(s) 2" (51 mm) from the stud face.

For finished walls greater than 1-1/2" (38 mm), install support(s) 3" (76 mm) from the face of the finished wall.