



## Shower - FM products

xTOOL Concealed thermostat rough with one volume control -

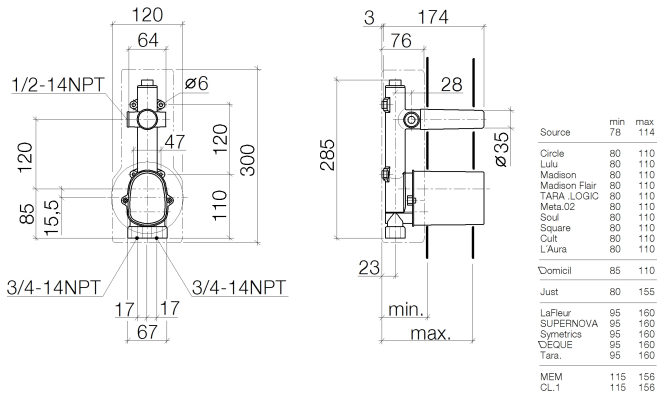
Article number: 35 437 970-90 0010



- brass, lead free
- 2x back flow preventer
- integrated stop
- 2x connections 3/4" (hot/cold)
- 1x female thread 1/2" outlet, left/right/top alternatively
- Thermostat cartridge
- Shaft and sleeve can be cut to length
- 2x Mud guard
- 2x Water protection
- Sound insulation
- Center to center 4-3/4"
- NOTE: Important for certain series! Due to minimum rough-in requirements, a framing of 2x6 studs is needed.



## Dimensional drawing

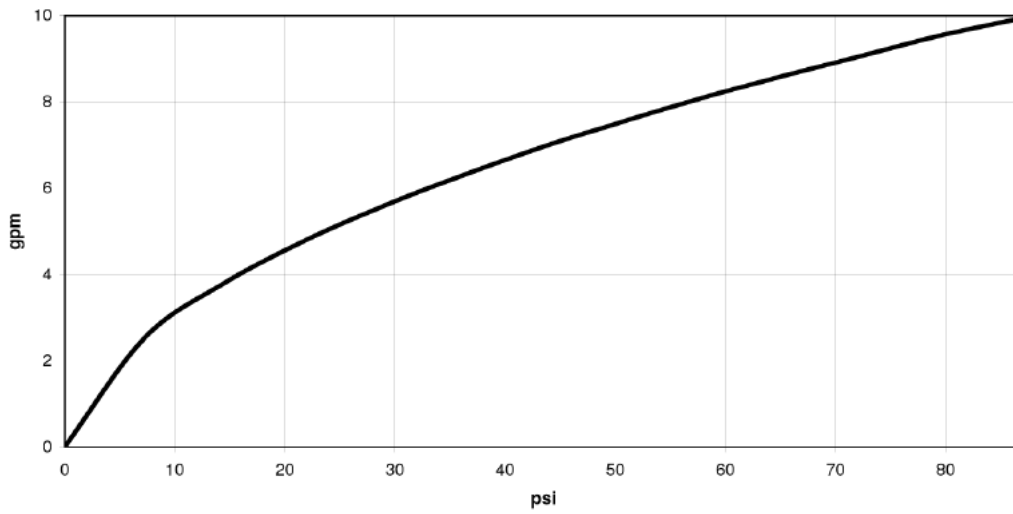




Shower - FM products  
xTOOL Concealed thermostat rough with one volume control -  
Article number: 35 437 970-90 0010

All dimensions in mm / inch = mm x 0,0394

### Flow rate chart





Shower - FM products

xTOOL Concealed thermostat rough with one volume control -

Article number: 35 437 970-90 0010

### Recommended article



12 177 970 90  
Extension 1-1/8" -



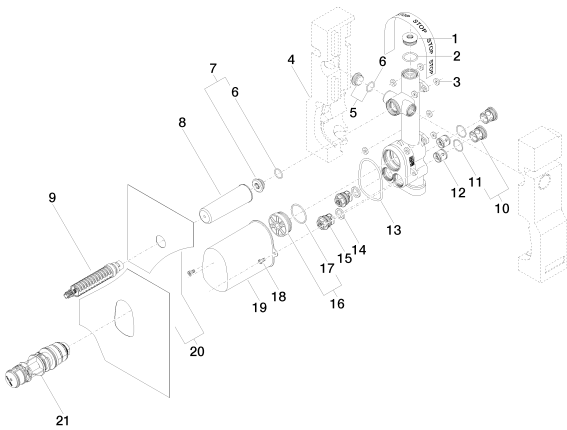
12 178 970 90  
Extension 1-3/4" -

Shower - FM products

xTOOL Concealed thermostat rough with one volume control -

Article number: 35 437 970-90 0010

### Spare parts list



Number	Item Number	Designation	Number of units
1	09 31 20 003 90	Plug for European drain -	1
2	09 14 10 009 90	Washer -	1
3	04 14 05 045 00 90	Washer -	1
4	09 11 11 021 90	Accessories FM -	1
5	04 31 20 062 10 90	Plug for European drain -	1
6	09 14 10 053 90	Washer -	2
7	04 31 20 006 00 90	Plug for European drain -	1
8	09 21 02 102 90	Protective cap -	1
9	90 90 03 143 00 90	Ceramic cartridge clockwise-closing -	1
10	04 21 34 077 00 90	Automatic flow rate regulator -	2
11	09 14 10 098 90	Washer -	2
12	09 23 01 045 90	Application -	2
13	09 14 10 189 90	Washer -	1
14	09 14 05 002 90	Washer -	2
15	04 29 05 031 00 90	insert	2
16	04 31 20 100 00 90	Plug for European drain -	1
17	09 14 10 111 90	Washer -	1
18	09 30 30 027 90	Mounting bracket -	2
19	09 21 02 103 90	Protective cap -	1
20	04 14 03 073 01 90	Washer -	1
21	90 15 02 065 00 90	Thermostatic cartridge -	1