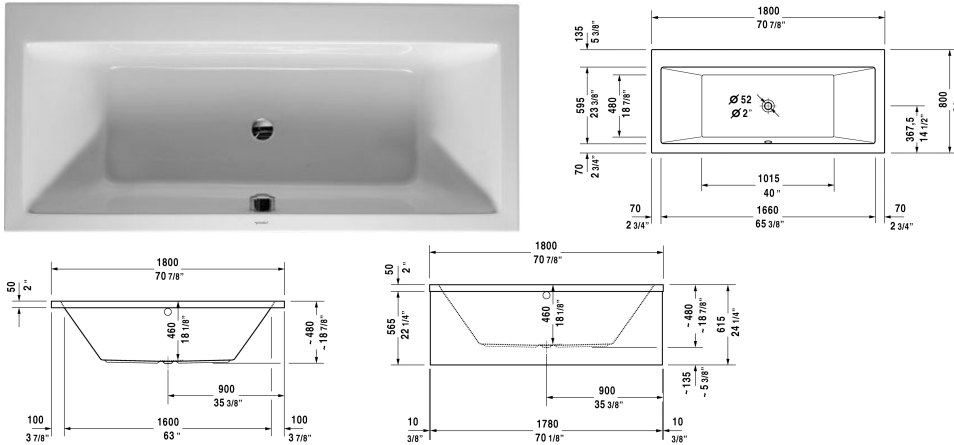


**Vero Bathtub # 70013500000090**

| &lt; 70 7/8" Inch &gt; |



Bathtub	Dimension	Weight	Order number
rectangle, with two backrest slopes, cUPC listed, sanitary acrylic			
<b>Colors</b>			
00 White			
<b>Variant</b>			
Base tub	70 7/8" x 31 1/2" Inch	84 lb	70013500000090
<b>Suitable panels</b>			
Panel for niche (alcove), for # 700135 (70 7/8" x 31 1/2")			VE8939
Panel for back-to-wall, for # 700135 (70 7/8" x 31 1/2")	31 1/8" x 70 1/8" Inch		VE8778
Panel for corner right, for # 700135 (70 7/8" x 31 1/2")	31 1/8" x 70 1/2" Inch		VE8783
Panel for corner left, for # 700135 (70 7/8" x 31 1/2")	31 1/8" x 70 x/2" Inch		VE8788
<b>Suitable products</b>			
Tile flange ,			790112
Cable-driven waste and overflow ,			790219
Bathtub anchors for mounting and support of bathtubs and shower trays, 3 pieces,			790103
Support frame for acrylic bathtubs and shower trays, with length > 39 3/8", 2 pieces,			790100
Support frame height adjustable from 4 7/8" - 7 3/4", (included), for bathtubs,			790108
Cable-driven waste and overflow brass,			790250
Stereo transducers (speakers) for bathtubs ,			791818

**Vero Bathtub # 700135000000090**

**|< 70 7/8" Inch >|**

---

*All drawings contain the necessary measurements which are subject to standard tolerances. They are stated in inch & mm and are non-binding. Exact measurements, in particular for customized installation scenarios, can only be taken from the finished ceramic piece.*