

Installation Instructions

B157

For Outdoor Sconces 30-5895 & 30-5895F

Page 1 of 2

CAUTION: FAILURE TO INSTALL THIS FIXTURE PROPERLY MAY RESULT IN SERIOUS PERSONAL INJURY OR DEATH AND PROPERTY DAMAGE. We recommend installation by a licensed electrician.

This product must be installed in accordance with applicable installation code(s), by a person familiar with the construction and operation of the product and the hazards involved.*

Caution: Do not exceed maximum wattage noted on fixture. Use only recommended bulbs with fixture.

To Install Fixture to Wall (Figures 1 & 2)

Component Parts

- A Fixture
- B Mounting Bracket
- C Wall Anchor (4)
- D 8-32 x 1" Screw (4)
- E 8-32 Pan Head Screw (2)
- F Ground Screw
- G Cupped Washer
- H Caulking Lip

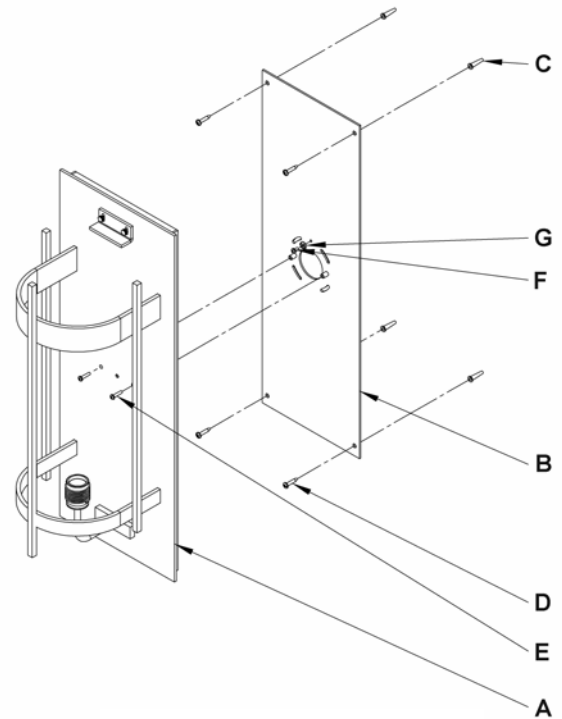
Note: Fixture enclosure to be located four feet above the ground. **Caution:** Be sure power is off at the main breaker box prior to installation.

1. Carefully unpack the fixture from the carton.
2. Center the wall mount bracket (B) over the electrical box being sure to hold it plum and level. With a pencil, mark the location of all mounting holes in the wall mount bracket on the wall behind.

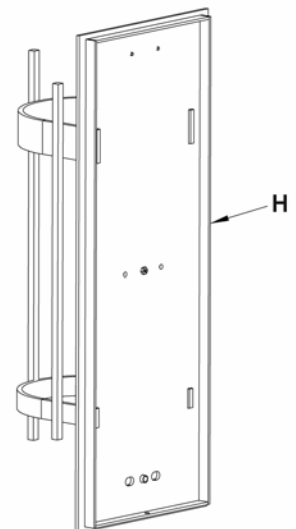
IMPORTANT: Wall mount bracket must be secured to a solidly mounted electrical box and/or a framing member in at least two locations. Do not depend on drywall anchors alone to support this fixture. If in doubt, contact a qualified electrician.

Put the wall mount bracket down and drill 1/4" holes in the locations marked on the wall. For holes using anchors, place the tapered end of the wall anchors (C) into the holes and gently tap them flush to the wall using a light weight hammer. Attach mounting bracket (B) to wall with screw (D) threaded through mounting bracket and into wall anchor (C). *Be careful not to over tighten screws.*

3. Using suitable wire connectors (not provided), connect the fixture wires to the supply wires, (white to white or ribbed and black to black or smooth, and bare copper or green to bare copper or green). Ground the mounting bracket using the green ground screw (F) and cupped washer (G) to secure a pigtail lead to the bracket.
4. Apply a generous bead of a suitable caulking material to caulking lip (H) on the fixture (Figure 2).
5. Carefully tuck all wires behind the fixture, place fixture firmly against the wall and fasten with 8-32 flat head screws (E). To ensure a water tight seal, apply a thin bead of caulking around entire perimeter of the fixture.



(Figure 1)



(Figure 2)

(continued)

Installation Instructions

For Outdoor Sconces 30-5895 & 30-5895F

B157

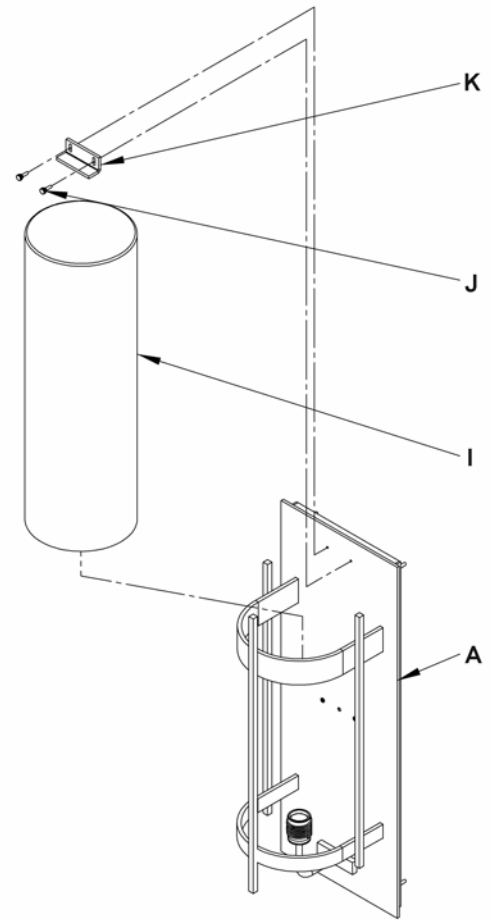
Page 2 of 2

To Install Glass (Figure 3)

Component Parts

- A Fixture
- I Glass
- J Thumb Screw (2)
- K Bracket

1. Remove bracket (K) from fixture (A) by removing two thumb screws (J). Set all parts aside for later use.
2. Install light bulb. (*Fluorescent fixtures are supplied with bulb.*)
3. Slide glass (I) into fixture (A).
4. Attach bracket (K) onto fixture (A) with two thumb screws (J). *Do not tighten thumb screws at this point.*
5. Adjust bracket (K) until it rests on top of glass (I).
6. Tighten by hand thumb screws (J) until snug against bracket (K) (*be careful not to over tighten*).
7. Restore electricity at the main breaker.



(Figure 3)

If you need further assistance, or find that you are missing any parts, please contact the dealer from which you purchased this product. We hope you enjoy your fixture!

* Hubbardton Forge will not be liable for injury or damage caused by improper installation, lamping or use of this fixture.