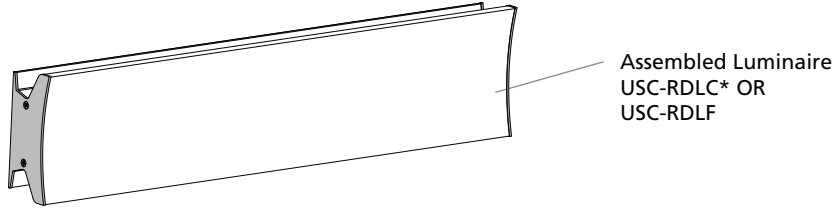




Attention: Read and understand these instructions before installing fixture. This fixture is intended for installation in accordance with the National Electric Code and local regulation. To assure full compliance with local codes and regulations, check with your local electrical inspector before installation. This equipment is guaranteed only when used as indicated in these instructions; therefore they should be kept for future reference. To prevent electrical shock, turn off power supply before carrying out any connection or maintenance operations. During installation, the LED chips may be exposed; please do not touch them to ensure proper long-term operation.

STEP 1

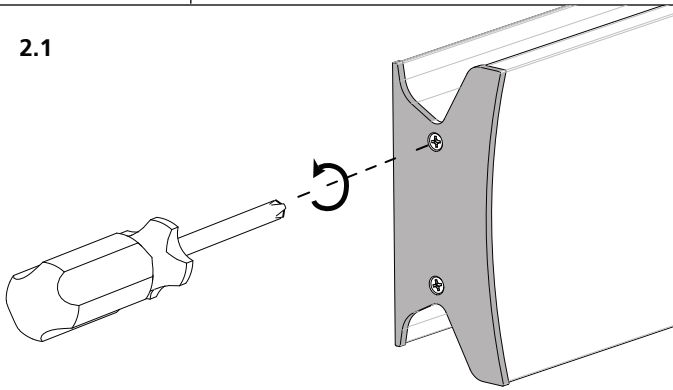
Make sure you have all the elements of the fixture. Your box should contain the following parts:



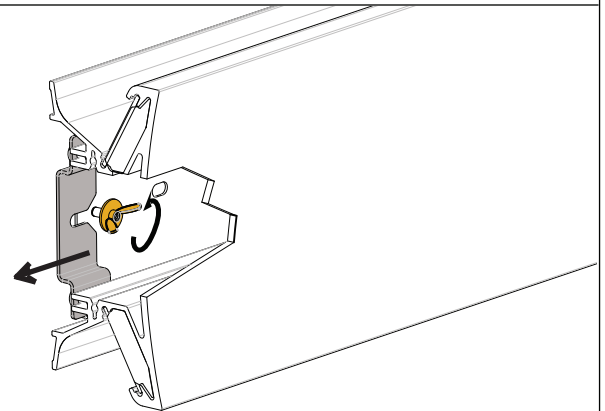
STEP 2

- 2.1 Remove both end caps by removing the screws (phillips) to expose mounting backplate
- 2.2 Loosen wing nuts on each end & slide the luminaire to liberate the backplate.

2.1



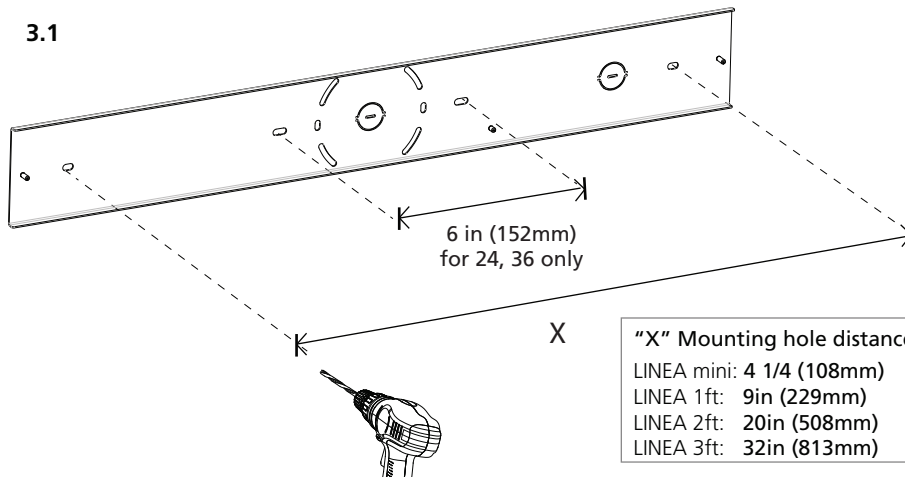
2.2



STEP 3

- 3.1 Use appropriate hole distance to prepare to mount backplate to wall or ceiling. Install anchors if required (**not included**).
- 3.2 Pry out appropriate knock-out opening for BX or junction box mounting (**not available on linea mini**)

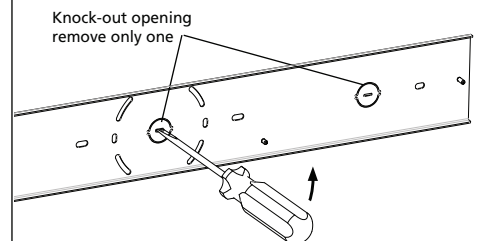
3.1



"X" Mounting hole distance

- LINEA mini: 4 1/4 (108mm)
- LINEA 1ft: 9in (229mm)
- LINEA 2ft: 20in (508mm)
- LINEA 3ft: 32in (813mm)

3.2



Distance between knock -out

- LINEA mini: not available
- LINEA 1ft: centered
- LINEA 2ft: 8in (203mm)
- LINEA 3ft: 14in (355.5mm)

<p>STEP 4</p>	<p>(A) In case of junction box mounting</p> <p>4A.1 Pass harness through knock-out opening. (not available for linea mini USC-RDL*M)</p> <p>4A.2 Make appropriate electrical connections.</p>	<p>(B) In case of direct wire mounting (BX Connection) (not available for linea mini USC-RDL*M):</p> <p>4B.1 Connect BX conduit connector through knock-out opening.</p> <p>4B.2 Make the electrical connections.</p>																															
<p>4A.2</p> <table border="1" data-bbox="568 525 714 693"> <thead> <tr> <th>FIXTURE WIRES</th> <th>CEILING WIRES</th> </tr> </thead> <tbody> <tr> <td>GREEN (G)</td> <td>GREEN</td> </tr> <tr> <td>BLACK (L)</td> <td>BLACK</td> </tr> <tr> <td>WHITE (N)</td> <td>WHITE</td> </tr> </tbody> </table> <p>4A.2 For mini version</p> <table border="1" data-bbox="568 714 714 882"> <thead> <tr> <th colspan="2">FOR 0-10V DIM VERSION</th> </tr> <tr> <th>FIXTURE WIRES</th> <th>CEILING WIRES</th> </tr> </thead> <tbody> <tr> <td>PURPLE (+)</td> <td>0-10V +</td> </tr> <tr> <td>GREY (-)</td> <td>0-10V -</td> </tr> </tbody> </table>	FIXTURE WIRES	CEILING WIRES	GREEN (G)	GREEN	BLACK (L)	BLACK	WHITE (N)	WHITE	FOR 0-10V DIM VERSION		FIXTURE WIRES	CEILING WIRES	PURPLE (+)	0-10V +	GREY (-)	0-10V -	<p>4B.1</p> <table border="1" data-bbox="1347 525 1494 693"> <thead> <tr> <th>FIXTURE WIRES</th> <th>CEILING WIRES</th> </tr> </thead> <tbody> <tr> <td>GREEN (G)</td> <td>GREEN</td> </tr> <tr> <td>BLACK (L)</td> <td>BLACK</td> </tr> <tr> <td>WHITE (N)</td> <td>WHITE</td> </tr> </tbody> </table> <p>4B.2</p> <table border="1" data-bbox="1347 714 1494 882"> <thead> <tr> <th colspan="2">FOR 0-10V DIM VERSION</th> </tr> <tr> <th>FIXTURE WIRES</th> <th>CEILING WIRES</th> </tr> </thead> <tbody> <tr> <td>PURPLE (+)</td> <td>0-10V +</td> </tr> <tr> <td>GREY (-)</td> <td>0-10V -</td> </tr> </tbody> </table> <p><i>Phase dimming product USC-RDLxxxxx06 series are compatible with most forward or reverse phase dimmers.</i></p>	FIXTURE WIRES	CEILING WIRES	GREEN (G)	GREEN	BLACK (L)	BLACK	WHITE (N)	WHITE	FOR 0-10V DIM VERSION		FIXTURE WIRES	CEILING WIRES	PURPLE (+)	0-10V +	GREY (-)	0-10V -
FIXTURE WIRES	CEILING WIRES																																
GREEN (G)	GREEN																																
BLACK (L)	BLACK																																
WHITE (N)	WHITE																																
FOR 0-10V DIM VERSION																																	
FIXTURE WIRES	CEILING WIRES																																
PURPLE (+)	0-10V +																																
GREY (-)	0-10V -																																
FIXTURE WIRES	CEILING WIRES																																
GREEN (G)	GREEN																																
BLACK (L)	BLACK																																
WHITE (N)	WHITE																																
FOR 0-10V DIM VERSION																																	
FIXTURE WIRES	CEILING WIRES																																
PURPLE (+)	0-10V +																																
GREY (-)	0-10V -																																

<p>STEP 5</p>	<ol style="list-style-type: none"> 1. Fix the mounting plate to the wall using the holes previously drilled (screws not supplied) screw in junction box if needed 2. Connect the backplate's female to the fixture's male connector (yellow) (not applicable for mini version) 3. Slide the fixture in the backplate and secure it by tightening the wing nuts. 4. Screw the end caps back onto the fixture.
<p>5.1</p>	<p>5.2</p> <p><i>Second 2-pin connector on 0-10V Dim models only (RDL*xxxxx08x)</i></p>
<p>5.3</p>	<p>5.4</p>