

## Features

- Comfort Depth® design offers a convenient and low step-over height while retaining the depth of a standard 21-inch bath.
- Sloped lumbar supports on both ends offer extra comfort while bathing.
- Safeguard® slip-resistant surface on bath floor.
- Slotted overflow allows for deep soaking.
- Center toe-tap drain.
- Requires K-7271 and K-7272 Clearflo slotted overflow bath drain and PVC pipe (sold separately).
- Coordinates with other products in the Rêve collection.
- KOHLER® Cast Iron
- Drop-in and undermount
- Slotted overflow drain (K-7272/7271) required

## Material

- KOHLER® enameled cast iron.

## Installation

- Drop-in or under-mount.

## Additional Hydrotherapy Options

- Soaking Bath - 892-0
- BubbleMassage air bath - 899-G0

## Required Products/Accessories

K-7271 Brass Slotted Overflow Bath Drain

or

K-7272 PVC Slotted Overflow Bath Drain

## Recommended Products/Accessories

K-137 Under-Mount Installation Kit

K-1179 Vinyl Tiling-in Bead



## Codes/Standards

ASME A112.19.1/CSA B45.2

ASTM F462

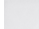


## KOHLER® Enameled Cast Iron Bath and Shower Base Lifetime Limited Warranty

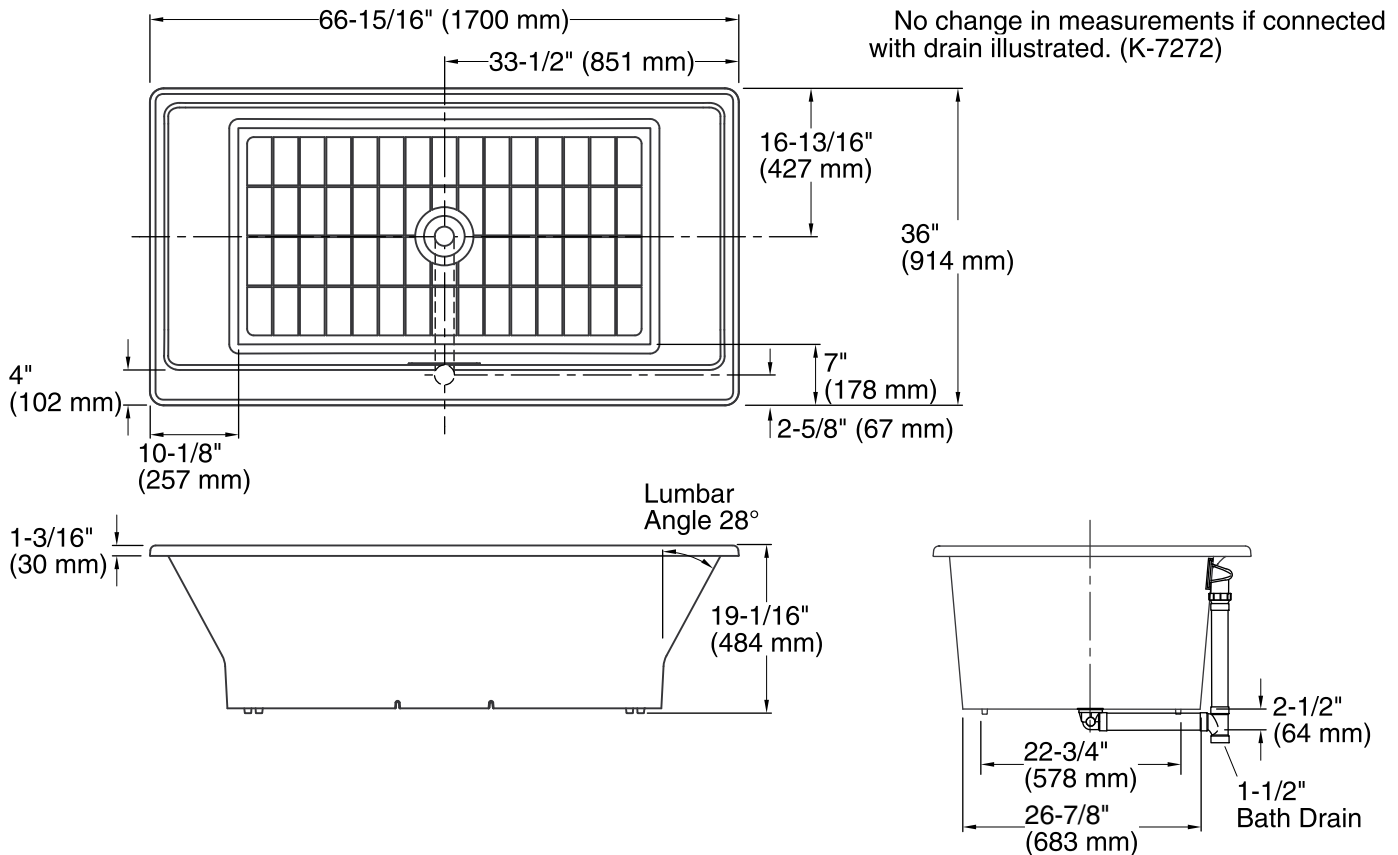
See website for detailed warranty information.

## Available Colors/Finishes

*Color tiles intended for reference only.*

Color	Code	Description
-------	------	-------------

	0	White
	96	Biscuit
	47	Almond



## Technical Information

All product dimensions are nominal.

Installation:	Drop-in, Under-mount
Drain location:	Center
Basin area, bottom:	49" x 26-1/2" (1245 mm x 673 mm)
Basin area, top:	62-1/2" x 29-1/4" (1588 mm x 743 mm)
Weight:	435 lbs (197.3 kg)
Minimum floor load:	78 lbs/ft <sup>2</sup> (380.8 kg/m <sup>2</sup> )
Water depth:	15-1/4" (387 mm)
Water capacity:	90 gal (340.7 L)
Cutout:	Drop-in, 66-1/2" x 35-1/2" (1689 mm x 902 mm)
Template:	Under-mount, K-137, required, not included

## Notes

Measure your actual product for rough-in details. Install this product according to the installation instructions.

The hot water supply should be 70% of the capacity of the bath or greater. Installations will vary.

Kit is required for under-mount installations (sold separately).

To clear the overflow side bath rim, a minimum 7" (178 mm) bath spout is recommended.

To clear the end wall bath rim, a minimum 10" (254 mm) bath spout is recommended.