

Assembly & Installation Instructions

A401

Cityscape Pendant Lg 139726D

Page 1 of 4

CAUTION: FAILURE TO INSTALL THIS FIXTURE PROPERLY MAY RESULT IN SERIOUS PERSONAL INJURY OR DEATH AND PROPERTY DAMAGE. We recommend installation by a licensed electrician.

This product must be installed in accordance with applicable installation code(s), by a person familiar with the construction and operation of the product and the hazards involved.*

Caution: Do not exceed maximum wattage noted on fixture. Use only recommended bulbs with fixture.

Attach Fixture Pipes (Figure 1)

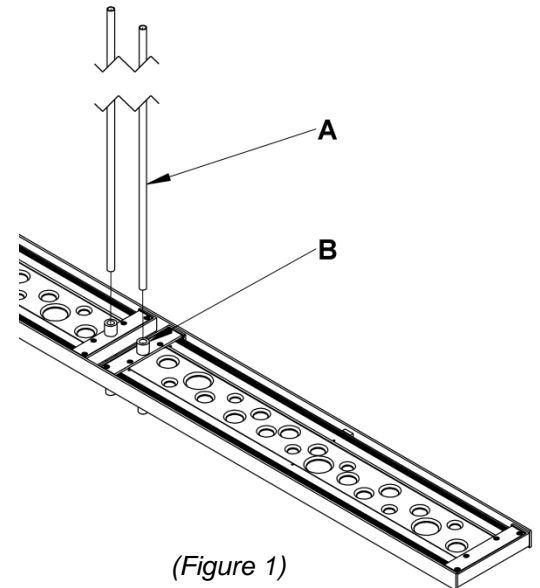
Component Parts

- A Fixture Pipe (2)
- B Fixture Coupling (2)

1. Carefully unpack the fixture from the carton.
2. Carefully thread one fixture pipe (A), threaded end first, over fixture wires.
3. Apply a drop of the supplied thread locking compound to the internal threads of the fixture coupling (B) and screw fixture pipe (A) into fixture, being careful not to twist the wires.

Note: Application of the thread locking compound is necessary to prevent the stem from loosening during regular maintenance and cleaning of the fixture. Be certain to apply the compound.

4. Repeat steps 2 & 3 for remaining fixture pipe (A).
5. See instructions below to complete the installation.



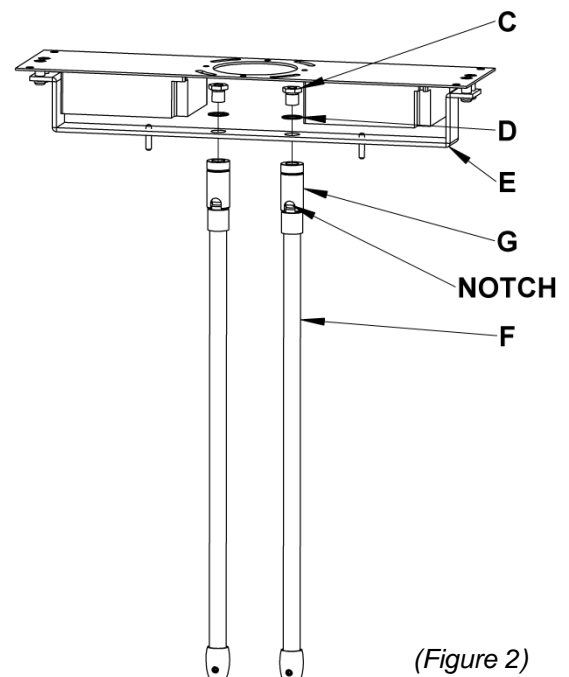
Assemble Canopy Pipes to Ceiling Bracket (Figure 2)

Component Parts

- C Hex Nipple (2)
- D Lock Washer (2)
- E Bent Bracket
- F Canopy Pipes (2)
- G Swivel (2)

1. Hex nipples (C) and lock washers (D) are shipped installed in swivels (G). Remove these parts for use in next step.
2. Insert threaded end of hex nipple (C) down through lock washer (D), bent bracket (E) and into swivel (G)
3. Tighten securely being sure the notches in the swivels (G) are orientated properly.

Note: If installing on a sloped ceiling, make certain that the notches in the swivel portion of the stems are orientated toward the lower side of the slope.



(continued)

Assembly & Installation Instructions

Cityscape Pendant Lg 139726D

A401

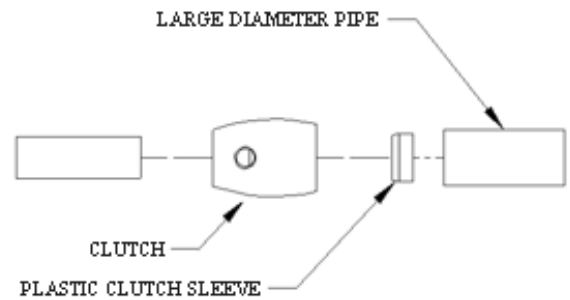
Page 2 of 4

Complete Fixture Assembly (Figures 3 & 4)

Component Parts

A	Fixture Pipe (2)	I	Canopy
C	Hex Nipple	J	Plastic Clutch Sleeve (2)
F	Canopy Pipe (2)	K	Set Screw (2)
H	Clutch (2)		

Caution: Be sure power is off at the main breaker box prior to installation.



(Figure 3)

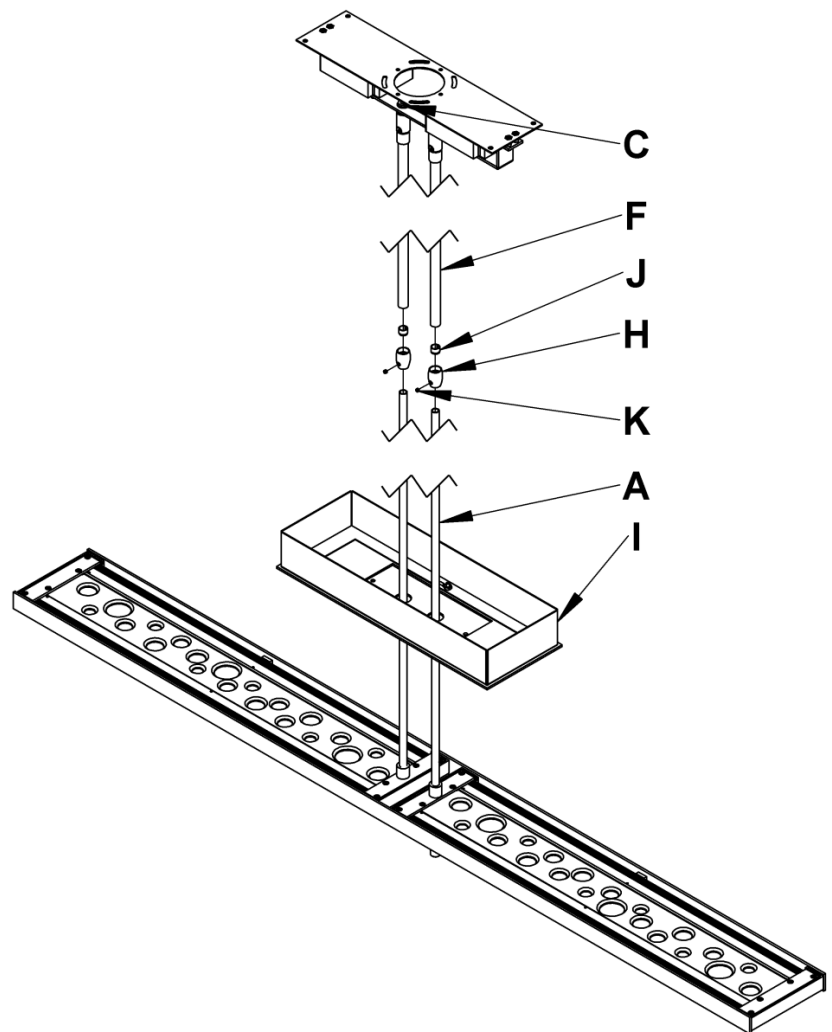
1. Line up holes in canopy (I) with fixture pipes (A). Slide over fixture pipes (A) until canopy (I) rests on top of fixture. (Figure 4)
2. Unscrew the clutch (H) from the canopy pipe (F); slide it across the wires and onto the fixture pipe (A). Follow this with the plastic clutch sleeve (J). Repeat for second set of pipes.

Note: the sleeve should be oriented so the tapered end of the clutch sleeve nests in the clutch. (Figure 3)

3. Thread the wires from the fixture pipe (A) into the canopy pipe (F) and up through the hex nipple (C).
4. Slide the canopy pipe (F) onto fixture pipe (A) as far as necessary to give you the total length of the fixture which you desire. Be careful not to scratch the pipe surfaces and to pull excess wire up through the canopy pipe (F). Once desired height has been reached, screw clutch (H) onto canopy pipe (F). There must be a minimum 1-1/2" of inner pipe inside the outer pipe. Hand-tighten the clutch to temporarily hold this adjustment. The clutch is not securely fastened at this point; do not depend on it to hold the fixture. Repeat for both pipes.

Important: To ensure full connection strength, be sure the tapered end of the plastic clutch sleeve is oriented toward the clutch when assembled and securely tighten set screw (K). (Figure 3)

5. Continue with ceiling installation.



(Figure 4)

(continued)

Assembly & Installation Instructions

Cityscape Pendant Lg 139726D

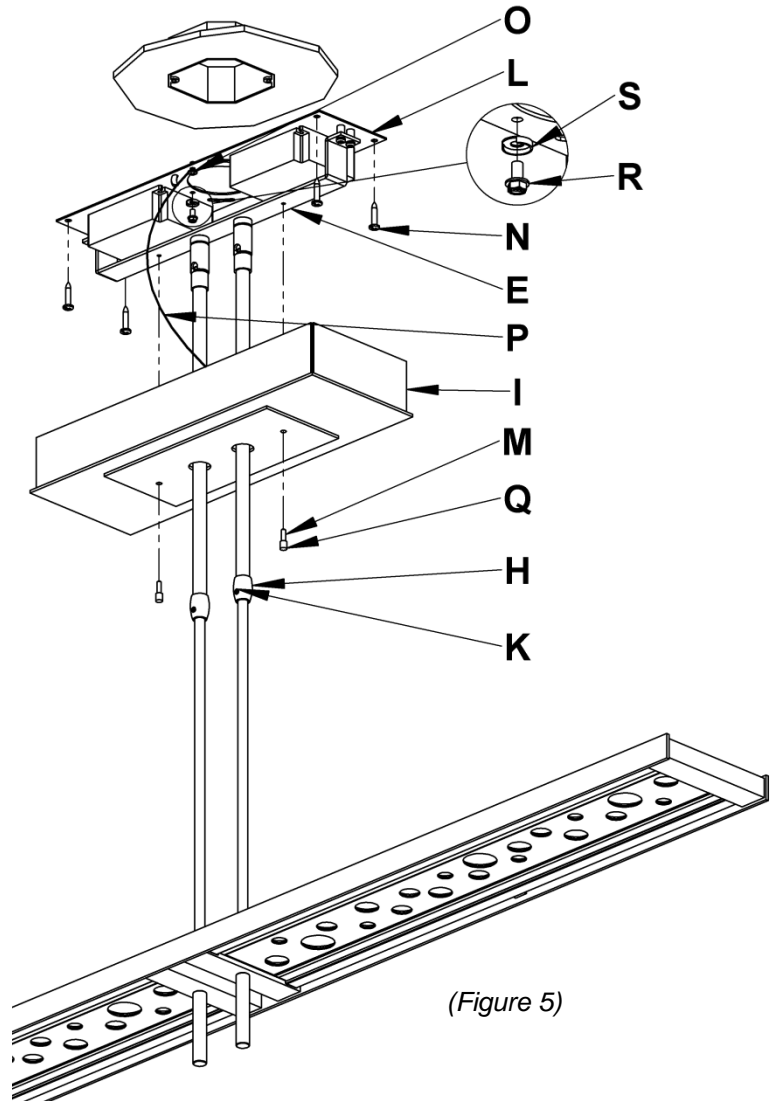
A401

Page 3 of 4

Install to Ceiling (Figure 5)

Component Part

- E Bent Bracket
- H Clutch (2)
- I Canopy
- K Set Screw (2)
- L Mounting Bracket
- M Threaded Stud (2)
- N #10 Wood Screws (4)
- O #8 Screw
- P Safety Cable
- Q Barrel Knobs (2)
- R Ground Screw
- S Cupped Washer



(Figure 5)

1. Using wood screws (N) attach mounting bracket (L) to a structural member in the ceiling, centering the bracket over the outlet box. Wood screws are supplied with your fixture; however, different materials and/or construction methods may require different fasteners. If in doubt, contact a qualified electrician. Do not attach bracket directly to outlet box.
2. Once fixture is fastened to the ceiling and height is properly adjusted, tighten the set screws (K) firmly with hex wrench provided. *Be sure to tighten set screws in both clutches (H).*
3. Raise Canopy (I). Connect Safety Cable (P) from canopy to mounting bracket (L) using #8 screw (O) that ships in the mounting kit bag. *Safety cable (P) is used to temporarily suspend canopy while wiring connections are made.*
4. Blue and red wires on drivers are shipped with connectors attached. Connect the red wires from the drivers to the connector with the red wires from the fixture and do the same for the blue wires.
5. Using ground screw (R) and cupped washer (S) that ship in mounting kit bag, run a pigtail lead from bracket to the junction box. Connect all ground wires (bare copper or green to bare copper or green). Push wires back into outlet box. **Caution:** Make sure wire connectors are twisted on securely, and no bare wire is exposed.
6. Using suitable wire connectors (not provided) connect driver wires to supply wires (white to white and black to black).
7. Raise canopy (I) and push firmly to ceiling, making sure that no wires are pinched between canopy (I) and ceiling. Studs (M) ship attached to barrel knobs (Q). Screw studs (M) into bent bracket (E) to secure canopy (I).
8. Follow instructions on following page to install decorative assemblies.

(continued)

Assembly & Installation Instructions

Cityscape Pendant Lg 139726D

A401

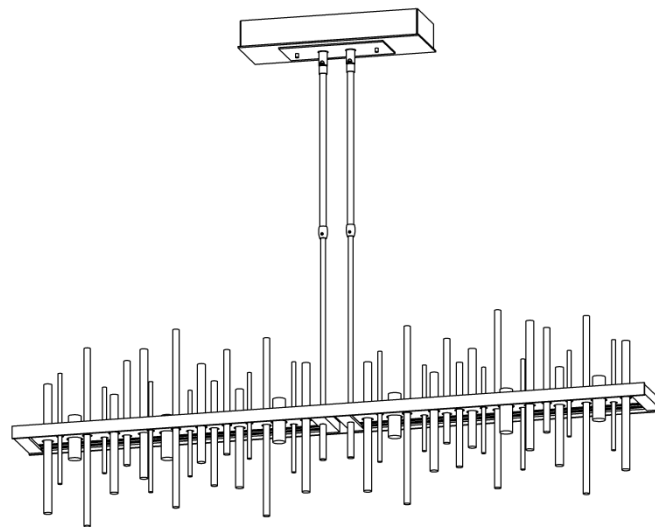
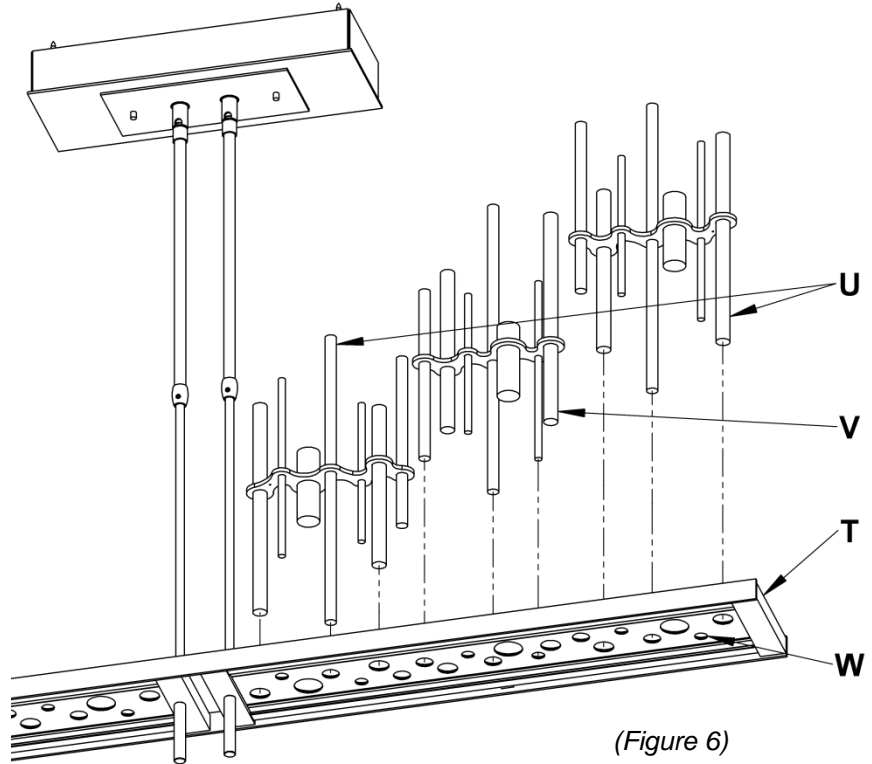
Page 4 of 4

Install Decorative Assemblies (Figure 6 & 7)

Component Part

- T Fixture
- U Wide Assembly (4)
- V Narrow Assembly (2)
- W Light Guide Plate (2)

1. Sort decorative assemblies into two sets. One side of the fixture (T) will use (2) wide assemblies (U) and (1) narrow assembly (V).
2. Align assemblies (U & V) with holes in light guide plate (W). Install assemblies into light guide plate (W) with welds facing down.
3. Repeat on other side of fixture (T).
4. Restore electricity at main breaker.



If you need further assistance, or find that you are missing any parts, please contact the dealer from which you purchased this product. We hope you enjoy your fixture!

* Hubbardton Forge will not be liable for injury or damage caused by improper installation, lamping or use of this fixture.