

Features

- Brass construction.
- 1-1/4" connection.
- Intended for bathroom sink installations.
- Grid drain.
- 6" (152 mm) offset.
- With overflow.



Codes/Standards

ASME A112.18.2/CSA B125.2

KOHLER® One-Year Limited Warranty

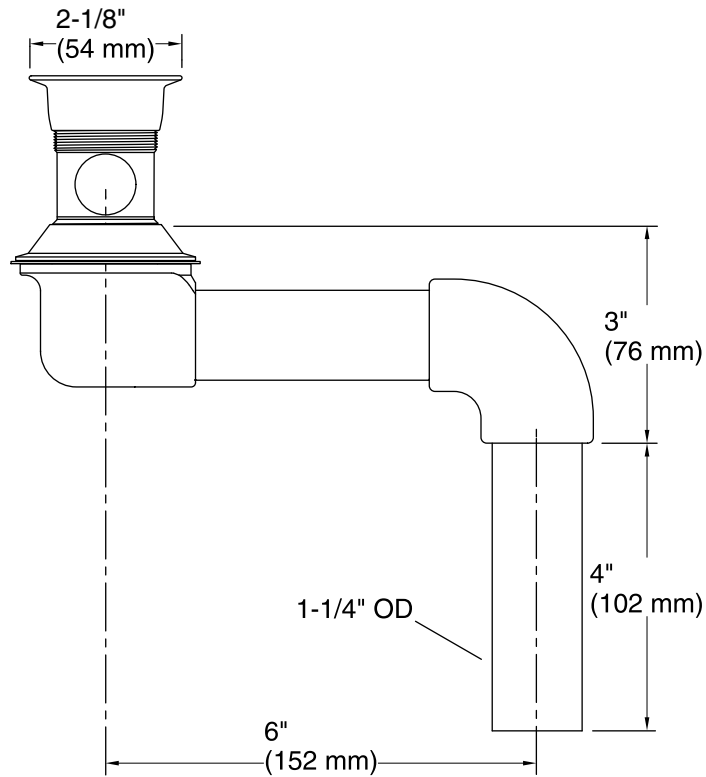
See website for detailed warranty information.

Available Colors/Finishes

Color tiles intended for reference only.

Color	Code	Description
-------	------	-------------

	CP	Polished Chrome
--------------------------------------------------------------------------------------	----	-----------------



Technical Information

All product dimensions are nominal.

Notes

Install this product according to the installation guide.