

Assembly & Installation Instructions

For Semi-Flush Fixtures 12-6703 & 12-6703F

A185

Page 1 of 2

CAUTION: FAILURE TO INSTALL THIS FIXTURE PROPERLY MAY RESULT IN SERIOUS PERSONAL INJURY OR DEATH AND PROPERTY DAMAGE. We recommend installation by a licensed electrician.

This product must be installed in accordance with applicable installation code(s), by a person familiar with the construction and operation of the product and the hazards involved.*

Caution: Do not exceed maximum wattage noted on fixture. Use only recommended bulbs with fixture.

To Install Fixture (Figure 1)

Component Parts

- | | | | |
|---|-------------------|---|------------------|
| A | Ground Screw | D | Canopy |
| B | Cross Bar | E | Knurled Ball (2) |
| C | Threaded Stud (2) | | |

Caution: Be sure power is off at the main breaker box prior to installation.

1. Carefully unpack the fixture from the carton.
2. Thread studs (C) through appropriate holes in cross bar (B) to match hole centers in canopy (D). Move ground screw (A) to another available threaded hole if necessary.

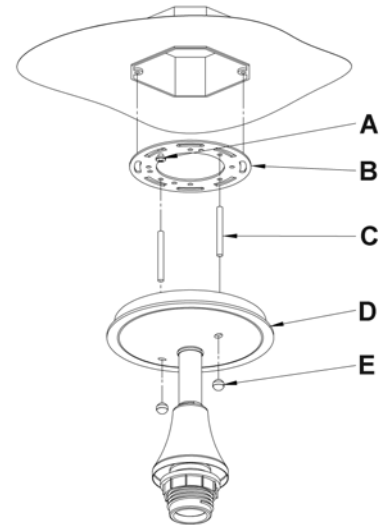
3. Using two machine screws (not provided) fasten cross bar (B) to the electric box using outer oval holes to orient fixture to desired hanging position.

Note: A new electric box comes with screws. When replacing an existing fixture, retain the screws for use with the new fixture.

5. Using suitable wire connectors (not provided); connect fixture wires to supply wires (white to white and black to black). Connect all ground wires to green ground screw (A).

Caution: Make sure wire connectors are twisted on securely, and no bare wire is exposed.

6. Slide fixture canopy (D) over threaded studs and push firmly to ceiling, making sure that no wires are pinched between fixture canopy and ceiling. Fasten with knurled balls (E). Be sure studs (C) are fully seated in knurled balls (E).



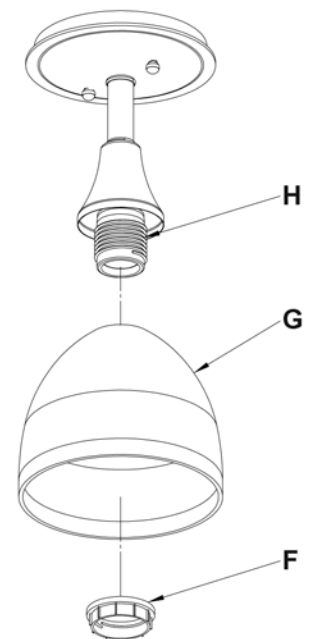
(Figure 1)

To Install Glass (Figure 2)

Component Parts

- | | |
|---|----------------|
| F | Retaining Ring |
| G | Glass |
| H | Socket |

1. If the water glass option was purchased proceed to section below.
2. Remove retaining ring (F) from socket (H). *Retaining Rings are shipped installed.*
3. Place glass (G) over socket (H).
4. Replace retaining ring (F) and tighten to secure glass. *Do not over-tighten.*
5. Install light bulb. (*Fluorescent bulbs included with fixture*)
6. Restore electricity at the main breaker.



(Figure 2)

(continued)

Assembly & Installation Instructions

For Semi-Flush Fixtures 12-6703 & 12-6703F

A185

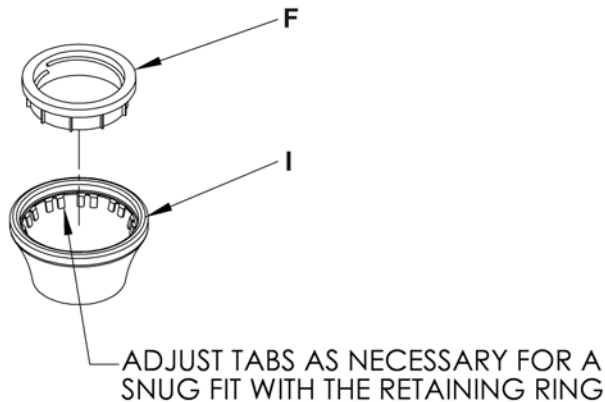
Page 2 of 2

To Install Water Glass (Figure 3 & 4)

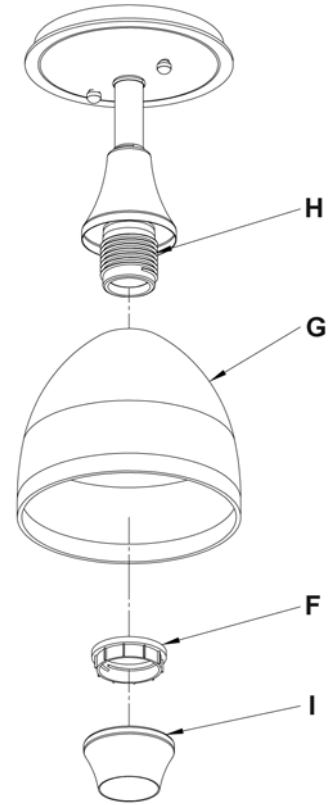
Component Parts

- F Retaining Ring
- G Glass
- H Socket
- I Decorative Ring Cover

1. Remove retaining ring (F) from socket (H). *Retaining Rings are shipped installed.*
2. Install retaining ring (F) into decorative ring cover (I). If retaining ring (F) fits to loose bend a few inside tabs of the decorative ring cover (I). (See Figure 4)
3. Place glass (G) over socket (H).
4. Replace retaining ring (F) and tighten to secure glass. *Do not over-tighten.*
5. Install light bulb. (*Fluorescent bulbs included with fixture*)
6. Restore electricity at the main breaker.



(Figure 4)



(Figure 3)

If you need further assistance, or find that you are missing any parts, please contact the dealer from which you purchased this product. We hope you enjoy your fixture!

* Hubbardton Forge will not be liable for injury or damage caused by improper installation, lamping or use of this fixture.