



Wireflow

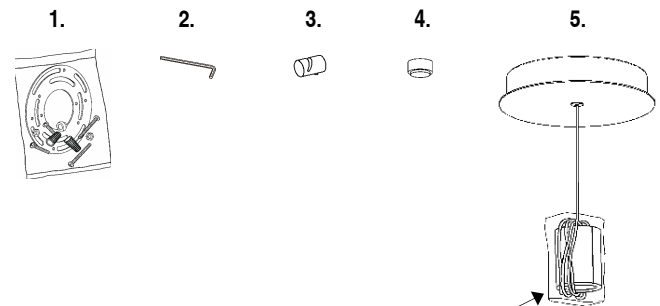
Design by Arik Levy

VIBIA
LIGHT IS CREATION

ASSEMBLY INSTRUCTIONS

CAUTION: TO AVOID POSSIBLE ELECTRICAL SHOCK, MAKE CERTAIN ELECTRICITY IS SHUT OFF AT MAIN PANEL BEFORE WIRING
All wiring must be in accordance with national and local electrical codes. If you are not familiar with wiring, you should use a qualified electrician.
This product must be installed in accordance with the applicable installation code by a person familiar with the construction and operation of the product and the hazards involved.

SUPPLIED MATERIAL



	0345
1 Components bag	1
2 Allen key	1
3 Mounting peg	4
4 Spacer	1
5 Lighting fixture	1

WARNING - DO NOT REMOVE PROTECTIVE COVERS OF THE LED SPOTLIGHTS UNTIL INSTALLATION IS COMPLETED.

TECHNICAL SPECIFICATIONS

0345. Net Weight 6.06 lbs. 1x LED 3,7W 350 mA IP20 ~ 50-60 Hz DRY LOCATION Multi-volt

IP20 Product protected against solid object as big as or bigger than 12 mm.
No protection against water.
 ~ Alternating current

Caution

Before assembling and installing this product, carefully read the following:

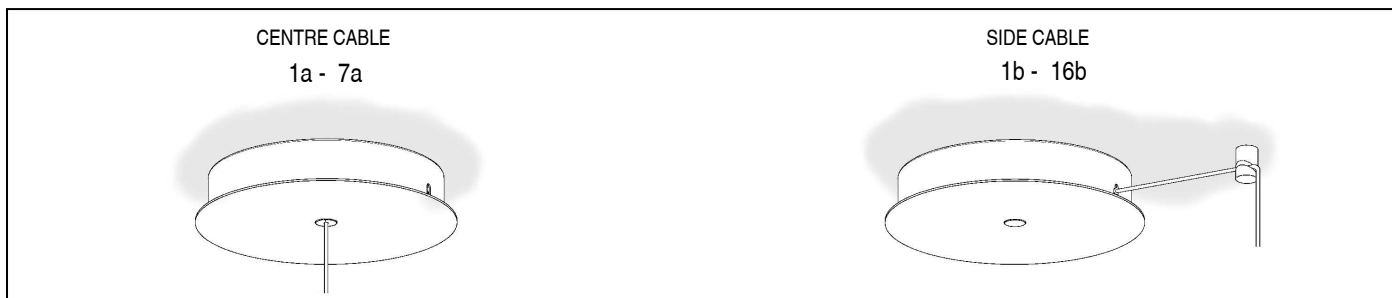
- Switch off the mains before installing the lamp.
- To install on the ceiling, always choose the most adequate fixing tools for the ceiling material.
- If the steel cable or the power cord of this lamp is damaged, it must be replaced only by the manufacturer or their technical service or by a person capacitated to this effect to avoid any risk.
- This lamp is for indoor use only, excluding bathrooms or any type of humid surface.
- We recommend reading the manual before installing the lamp. Keep these instructions for future reference.

ASSEMBLY INSTRUCTIONS

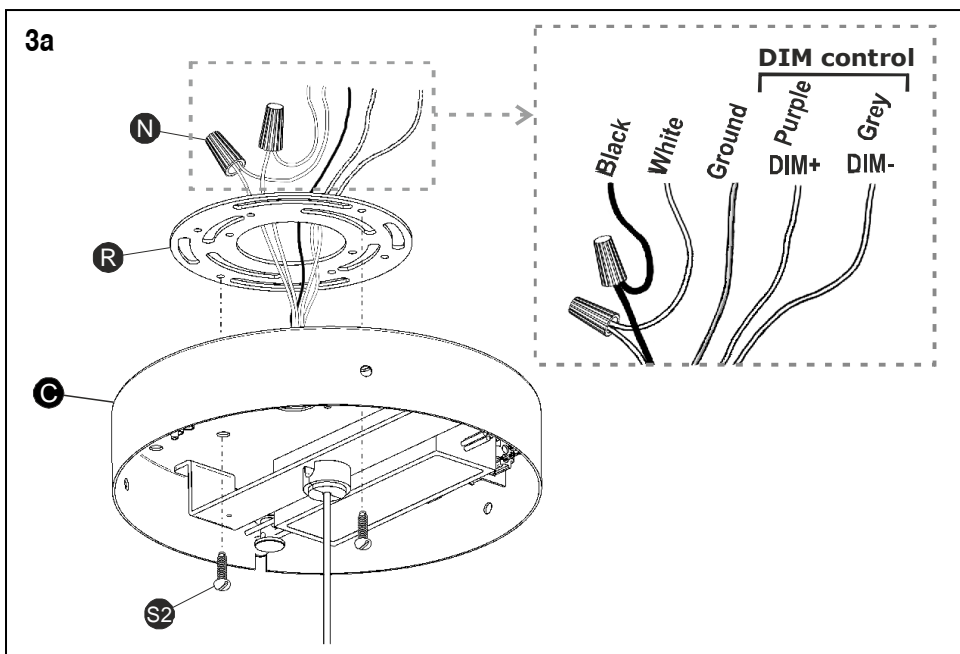
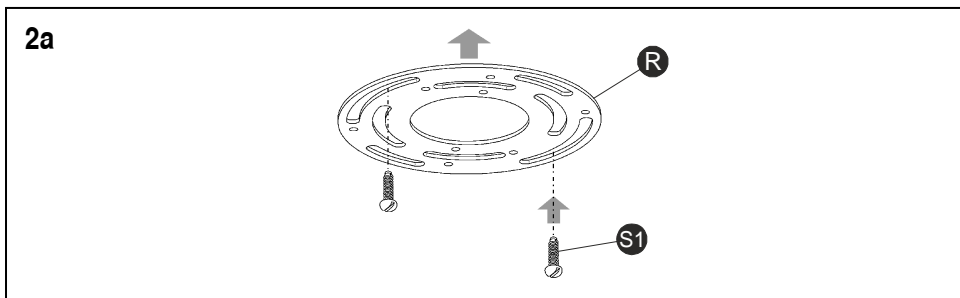
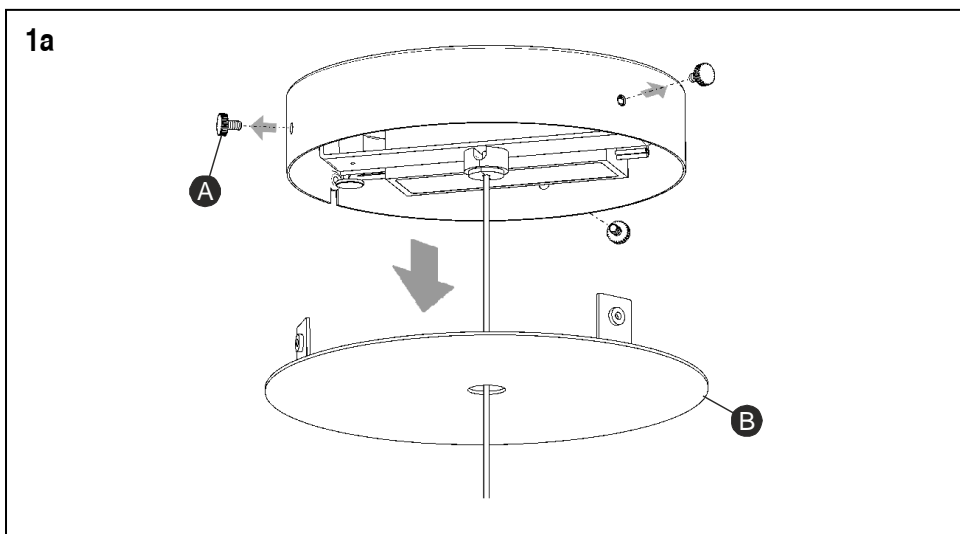
The light fitting can be mounted with the cable coming out of the centre of the plate so that the spotlight is centred, or else with the cable coming out of the side to that the spotlight hangs to one side using a mounting peg.

The light fitting is supplied set up with the cable coming out through the centre of the plate; for installation in this way follow steps 1a to 7a.

If you want the spotlight to be off-centre, follow steps 1b to 16b.



INSTALLATION CENTRE CABLE



IMPORTANT NOTICE:

Caution: to avoid possible electrical shock, make certain electricity is shut off at main panel before wiring.

1a. Remove the three nuts (A) to remove the plate (B).

2a. Making certain that the threads of the cross bar screws are pointing away from the wall, secure the round cross bar (R) to the junction box using the mounting screws (S1).

3a. Connect the white fixture wire to the white wire of the supply circuit. Connect the black fixture wire to the black wire of the supply circuit. Secure with the wire nuts (N) and tape connections with electrical tape. Connect the fixture copper ground wire and the supply ground wire to the ground screw on the round cross bar using the ground terminal.

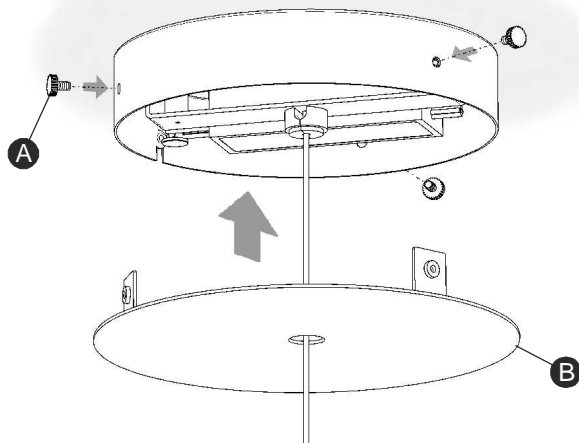
Connect your DIM control lines to poles DIM+ (Purple) and DIM- (Grey).

NOTE: If system is not compatible with 5 wire 1-10V dimming or if you wish to install this fixture as non dimmable, you may cap off the dim+ and dim- wires.

Push the connections and all excess wire to the interior of the junction box. Spread the electrical splices on the round cross bar (R) so that the black wires are on one side of the junction box and the white wires on the other.

Secure the plaque (C) to the round cross bar, using the cross bar screws (S2).

4a



4a. Replace the plate (B) and secure it with the nuts (A), tightening it by hand, without using tools.

5a. The spotlight is wrapped up. Remove the outer plastic bags and unroll the cable.

Do not remove the protective profile (D).

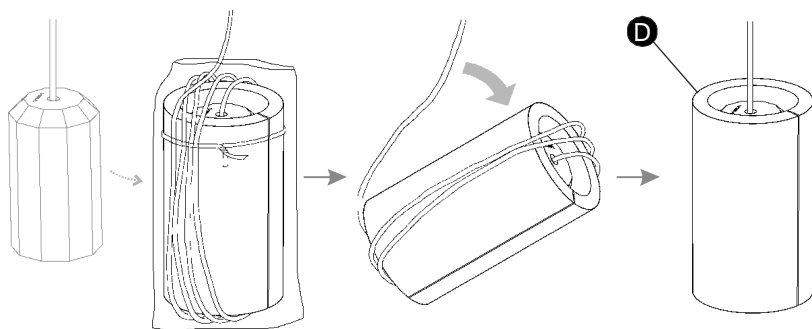
6a. If it is necessary to adjust the height of the light fitting, pull the cables through the piece (E), as shown in the drawing.

7a. After installation is complete, remove the protective profile (D) by hand, breaking each profile along the pre-cut line.

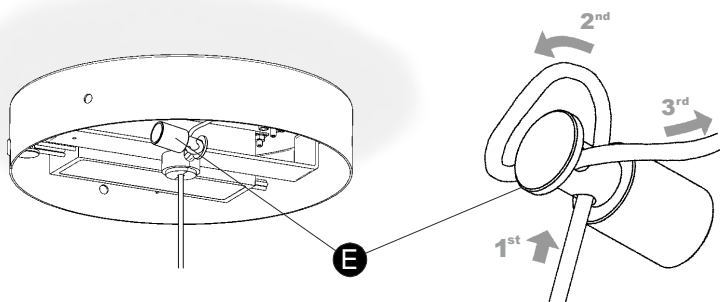
IMPORTANT NOTE:

The pressed glass of this lighting has a principal character as it has been elaborated with craftsmanship, in a natural way that could be presented as a result some small bubbles, including diverse materials, relieve thread, differences in thickness and lines. This lack of precision is accredited to the sensitive craft work, the exclusiveness and authenticity of this glass.

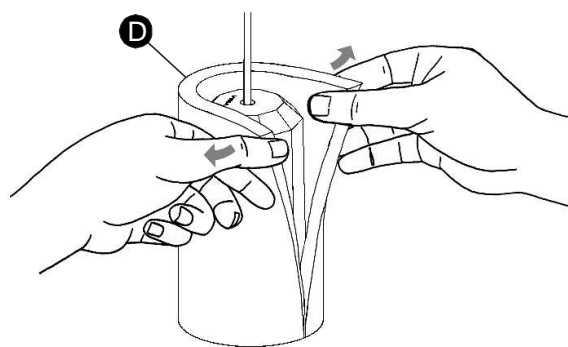
5a



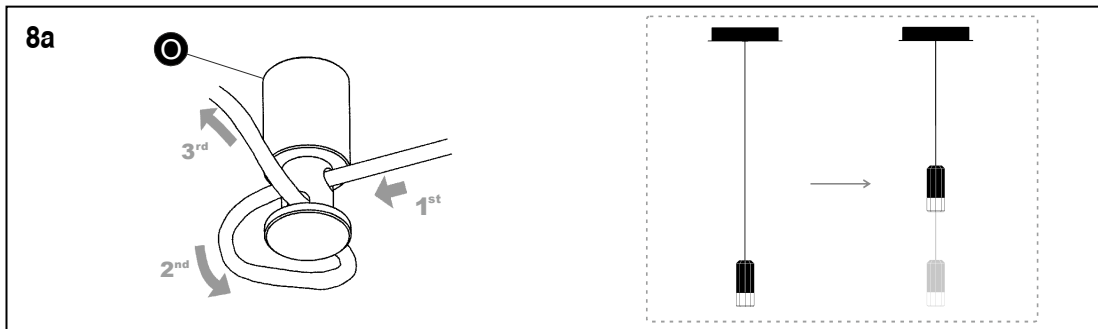
6a



7a

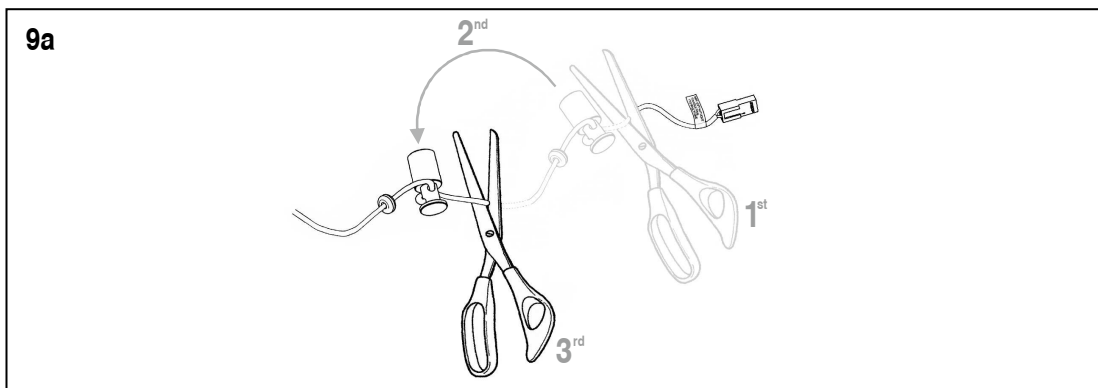


ASSEMBLY INSTRUCTIONS



IMPORTANT: Do not leave cable wound inside. If the length of the fitting is too shortened, the resulting excess cable should be cut off in order to avoid damage to it due to overheating.

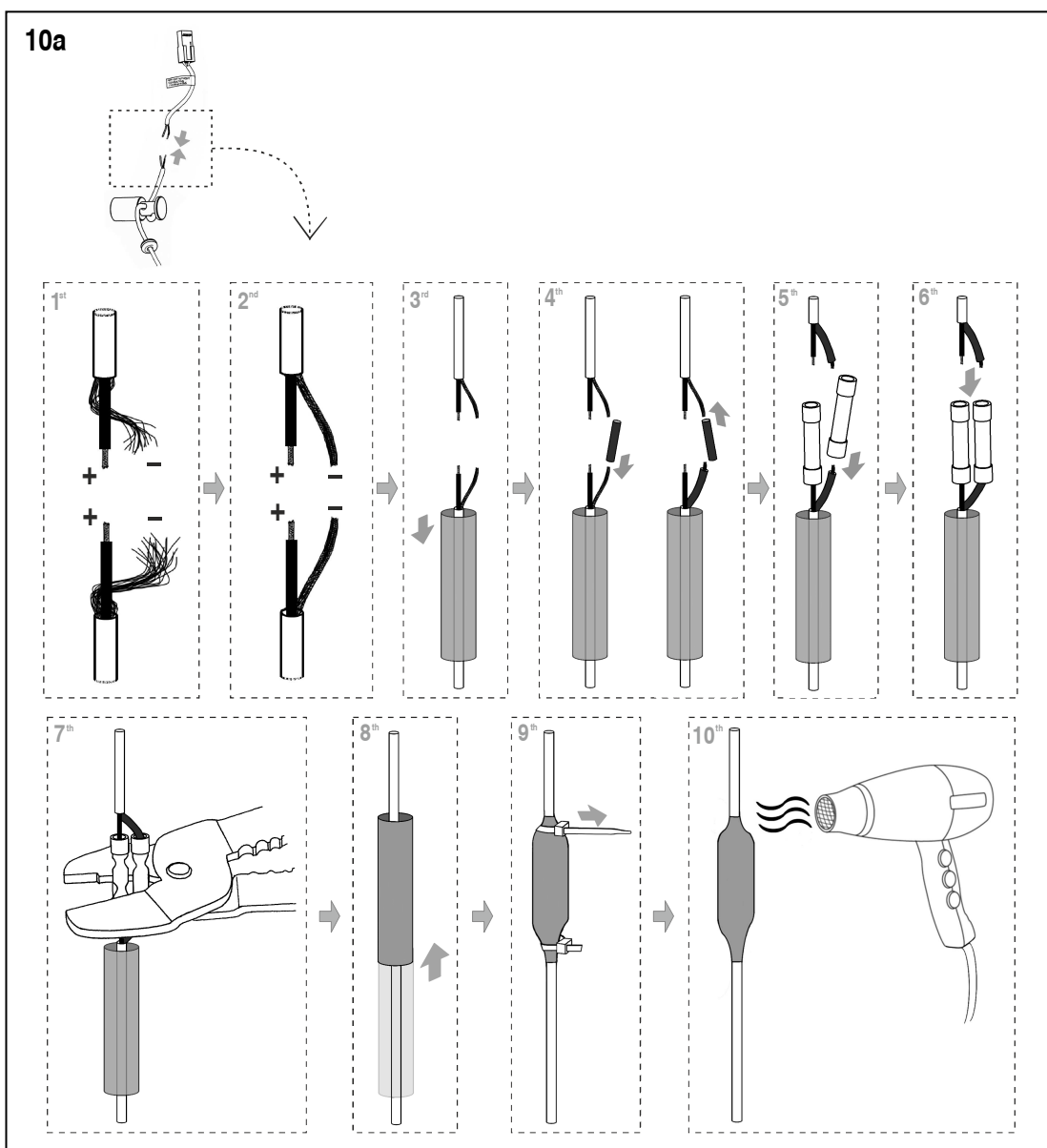
Follow the instructions as for steps 8a to 10a.



8a. Adjust the height of the light fitting by pulling the cables through the pieces (O), as shown in the drawing.

9a. Slide the cable clamp to the desired height and cut off the excess cable.

10a. Prepare the ends of the cable as shown in the drawings. Connect the length of cable in the connection terminal to the end of the cable fitted using the parts in the bag supplied. Making sure the polarity (+ -) is correct.

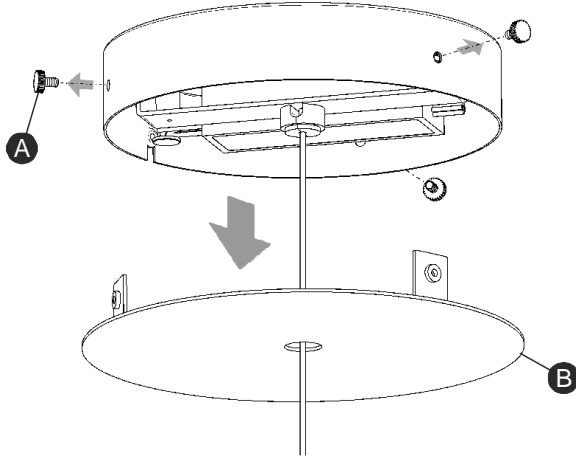


Maintenance

- Use a slightly-wet cotton cloth for cleaning.
- In case of malfunction or damage, please contact the retailer who sold the lamp.

INSTALATION SIDE CABLE

1b



IMPORTANT NOTICE:

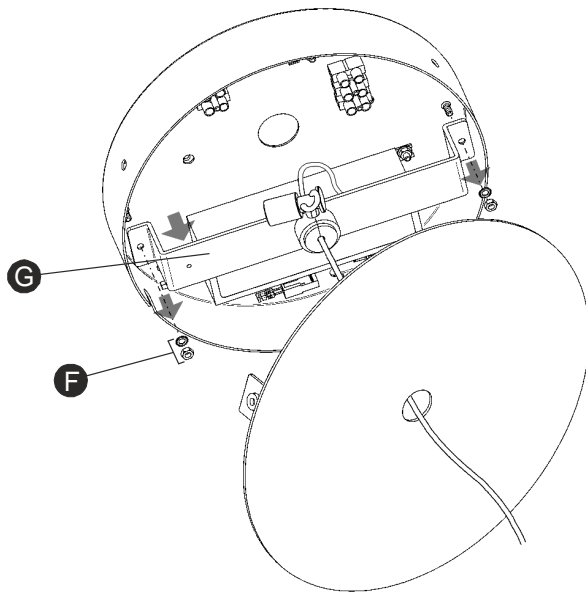
Caution: to avoid possible electrical shock, make certain electricity is shut off at main panel before wiring

1b. Remove the three nuts (A) to remove the plate (B).

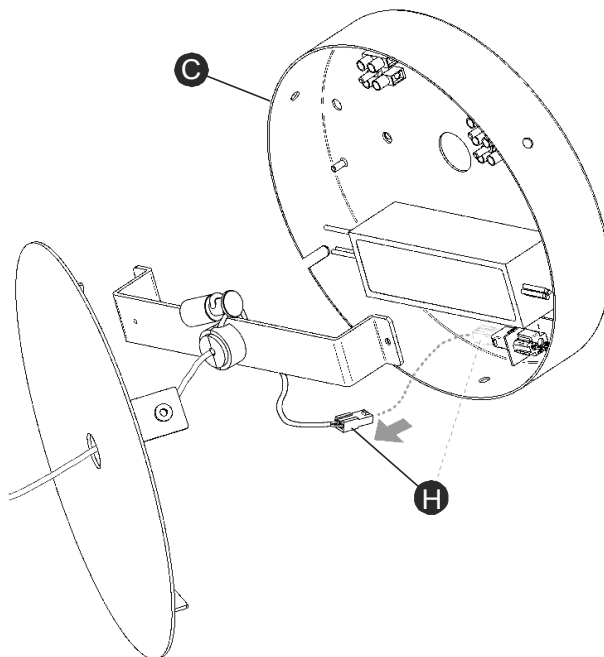
2b. Unscrew the two nuts and washers (F) to remove the bridge (G). Keep the two nuts in order to replace the bridge afterwards.

3b. Disconnect the terminal (H), and the plate (C) will be released.

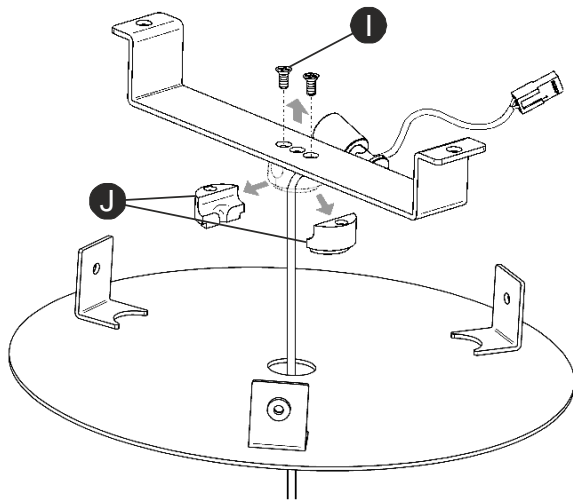
2b



3b



4b

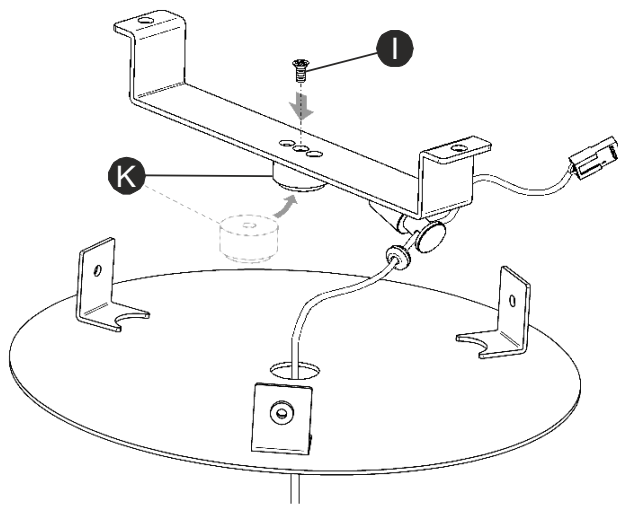


4b. Take out the two screws (I) in order to remove the pieces (J).

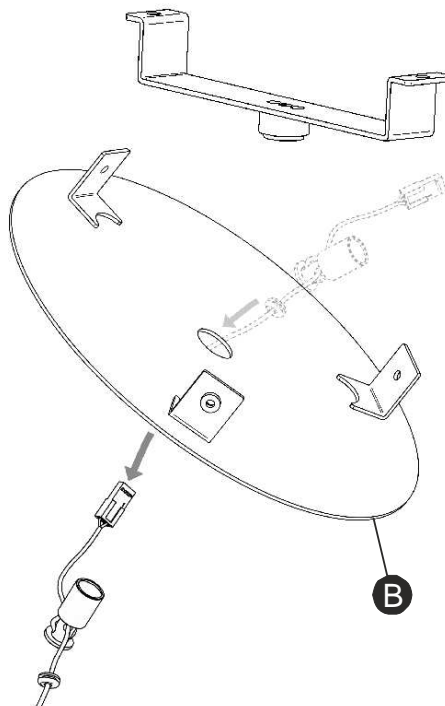
5b. Fit the spacer (K) supplied using one of the two screws (I) you removed in the previous step. Use the hole in the centre of the bridge.

6b. Run the cable through the plate (B).

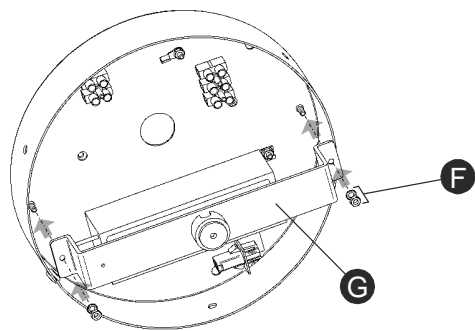
5b



6b



7b



7b. Fit the bridge (G) and secure it with the two washers and nuts (F) you removed in step 2b.

8b. Making certain that the threads of the cross bar screws are pointing away from the wall, secure the round cross bar (R) to the junction box using the mounting screws (S1).

9b. Connect the white fixture wire to the white wire of the supply circuit. Connect the black fixture wire to the black wire of the supply circuit. Secure with the wire nuts (N) and tape connections with electrical tape. Connect the fixture copper ground wire and the supply ground wire to the ground screw on the round cross bar using the ground terminal.

Connect your DIM control lines to poles DIM+ (Purple) and DIM- (Grey).

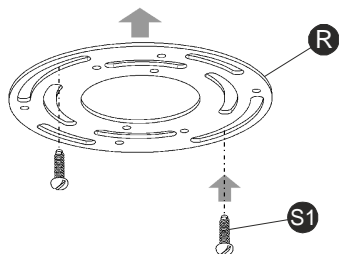
NOTE: If system is not compatible with 5 wire 1-10V dimming or if you wish to install this fixture as non dimmable, you may cap off the dim+ and dim- wires.

Push the connections and all excess wire to the interior of the junction box. Spread the electrical splices on the round cross bar (R) so that the black wires are on one side of the junction box and the white wires on the other.

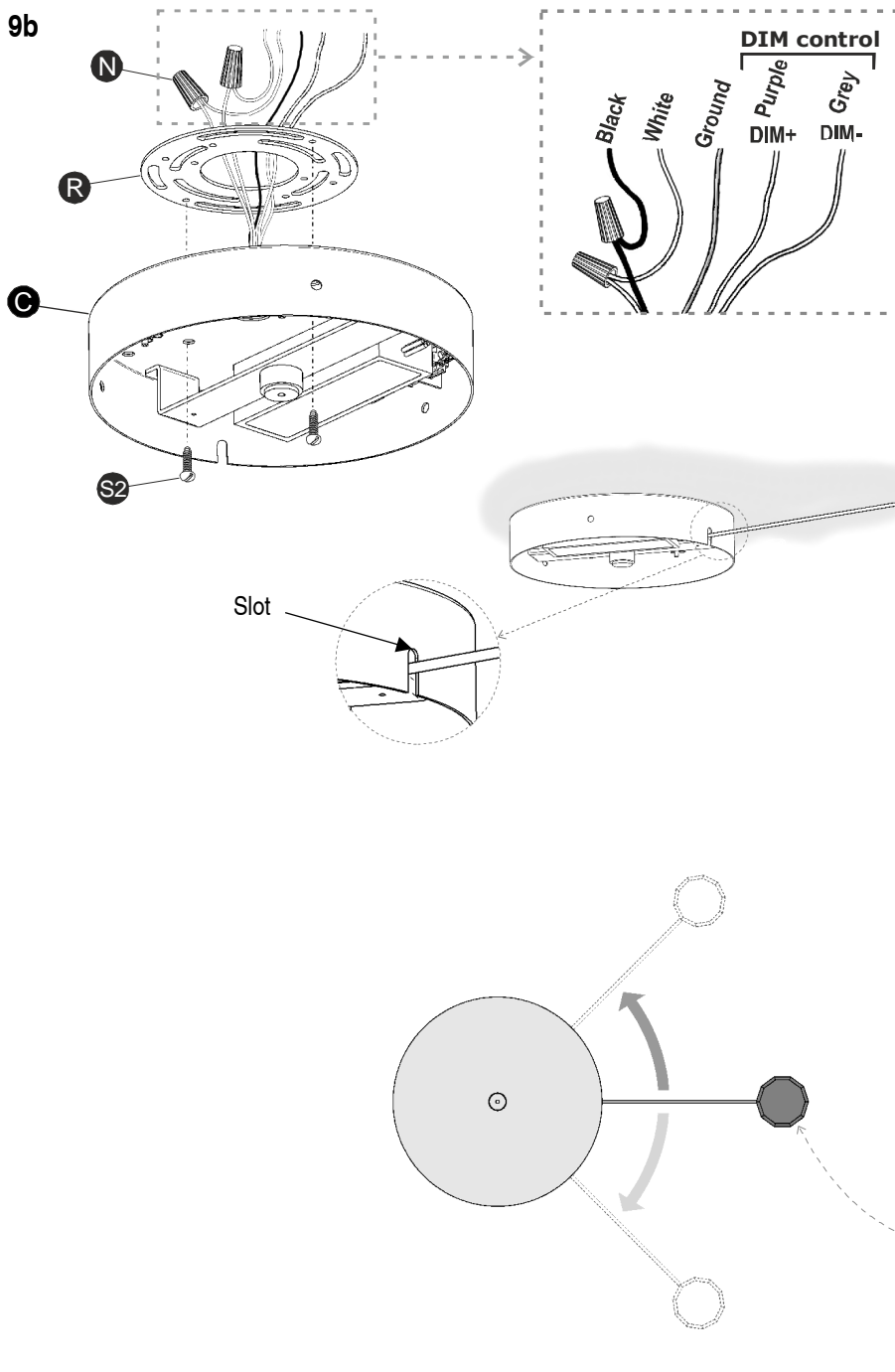
Secure the plaque (C) to the round cross bar, using the cross bar screws (S2).

IMPORTANT: Take into account which way the plate (C) is facing before fixing it to the ceiling. The slot at the side shows the direction in which the cable with the spotlight will run.

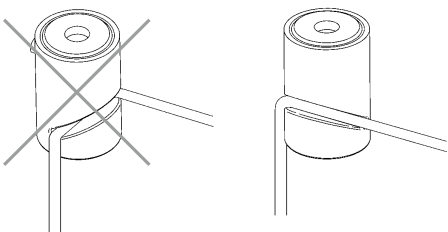
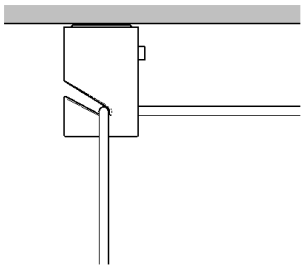
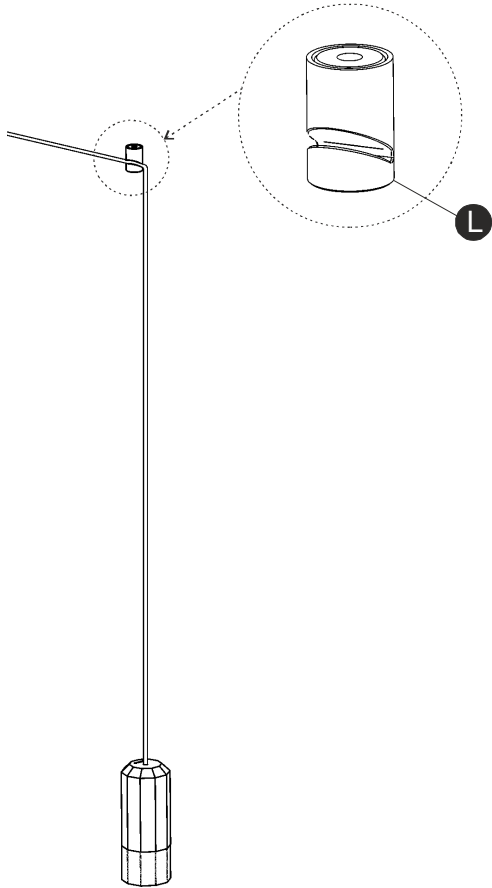
8b



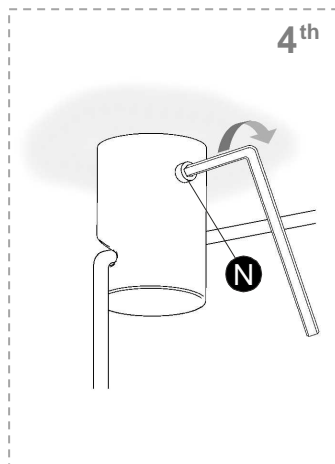
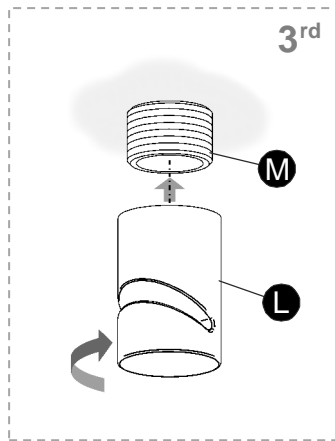
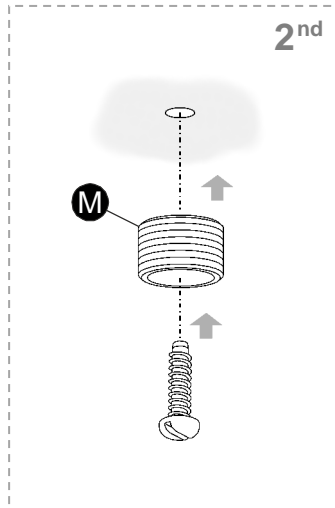
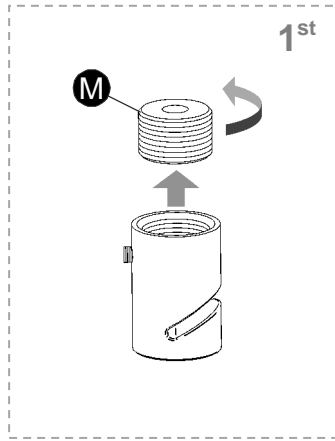
9b



10b



DETAIL X



10b. Fix the mounting ped (L) to the ceiling in such a way that when hung (see drawing) the spotlight is in the desired position.

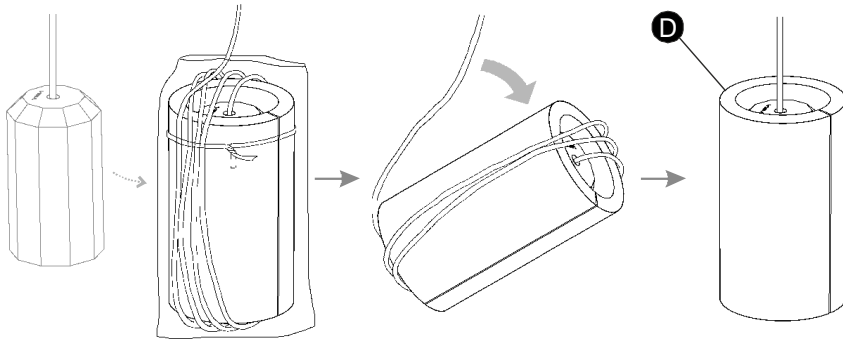
1- Unscrew and remove piece (M).
2- Fix piece (M) to the ceiling using a suitable screw (not supplied).

3- Fix the mounting peg (L) to piece (M).
4- After inserting the cable into the slot in the mounting peg (E) and making sure this faces the right way so that the cable does not come out (see detail X), tighten the stud (N) with the allen key supplied.

IMPORTANT: Do not fix the mounting peg in the wall.

NOTE: When the distance between mounting pegs exceeds two meters, must install supplied mounting peg on an intermediate position.

11b



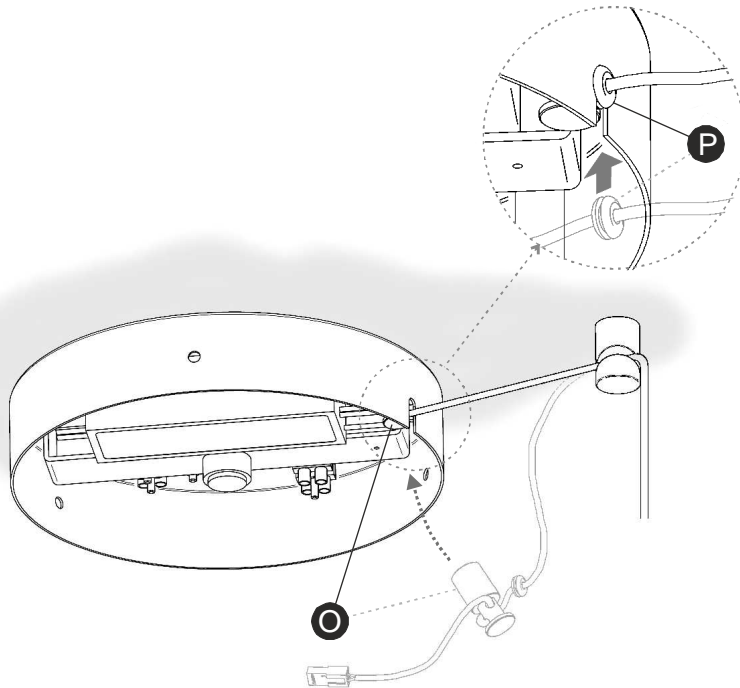
11b. The spotlight is wrapped up. Remove the outer plastic bags and unroll the cable.

Do not remove the protective profile (D).

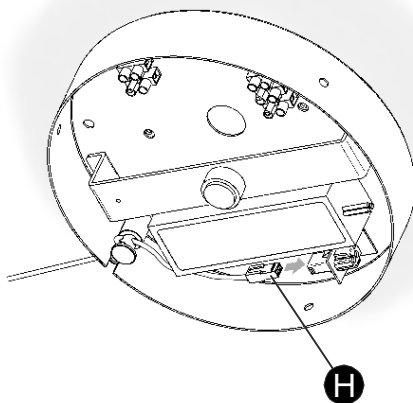
12b. Fit the anti-pull piece (O) (it is held in place by a small magnet), and insert the cable gland (P) in the slot provided for it.

13b. Connect the terminal (H).

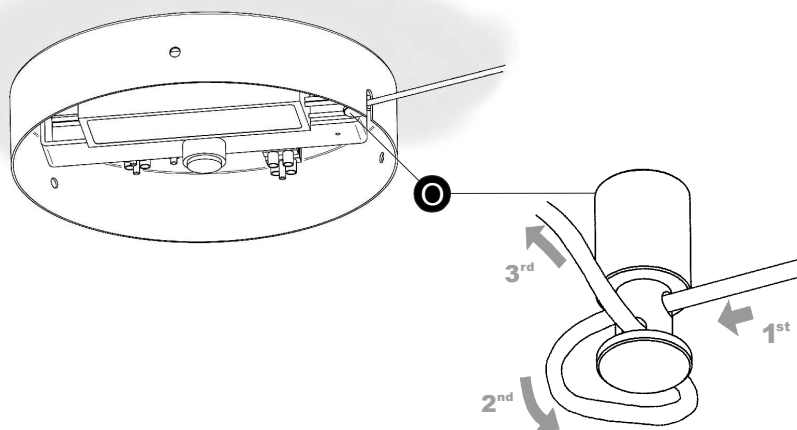
12b



13b



14b



14b. To adjust slightly the height of the light fitting, pull the cables through the pieces (O) as shown in the drawing.

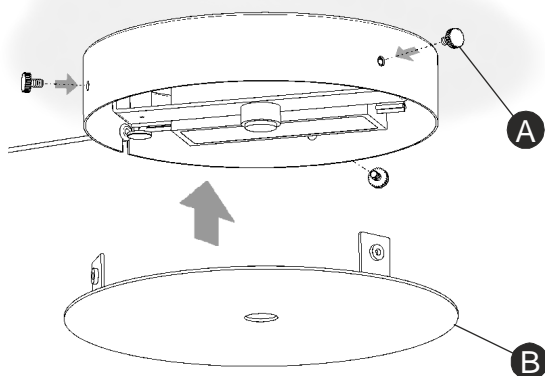
15b. Replace the plate (B) and secure it with the nuts (A), tightening it by hand, without using tools.

16b. After installation is complete, remove the protective profile (D) by hand, breaking each profile along the pre-cut line.

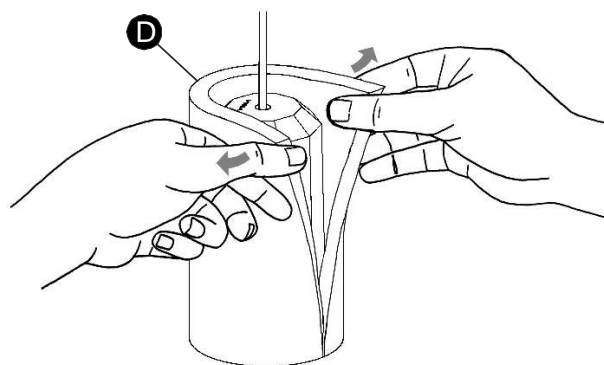
IMPORTANT NOTE:

The pressed glass of this lighting has a principal character as it has been elaborated with craftsmanship, in a natural way that could be presented as a result some small bubbles, including diverse materials, relieve thread, differences in thickness and lines. This lack of precision is accredited to the sensitive craft work, the exclusiveness and authenticity of this glass.

15b

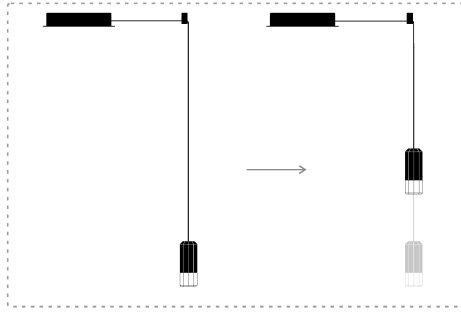
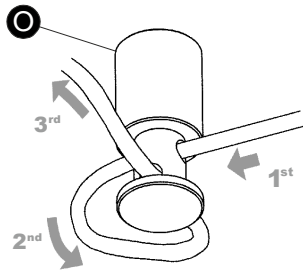


16b



ASSEMBLY INSTRUCTIONS

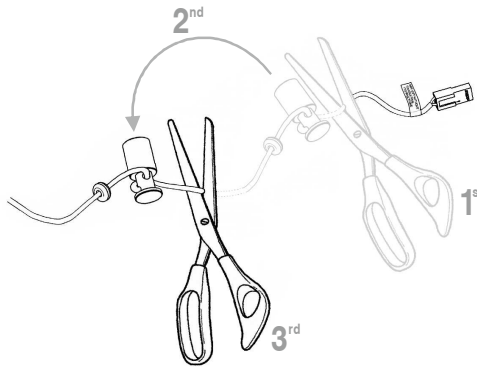
17b



IMPORTANT: Do not leave cable wound inside. If the length of the fitting is too shortened, the resulting excess cable should be cut off in order to avoid damage to it due to overheating.

Follow the instructions as for steps 17b to 19b.

18b

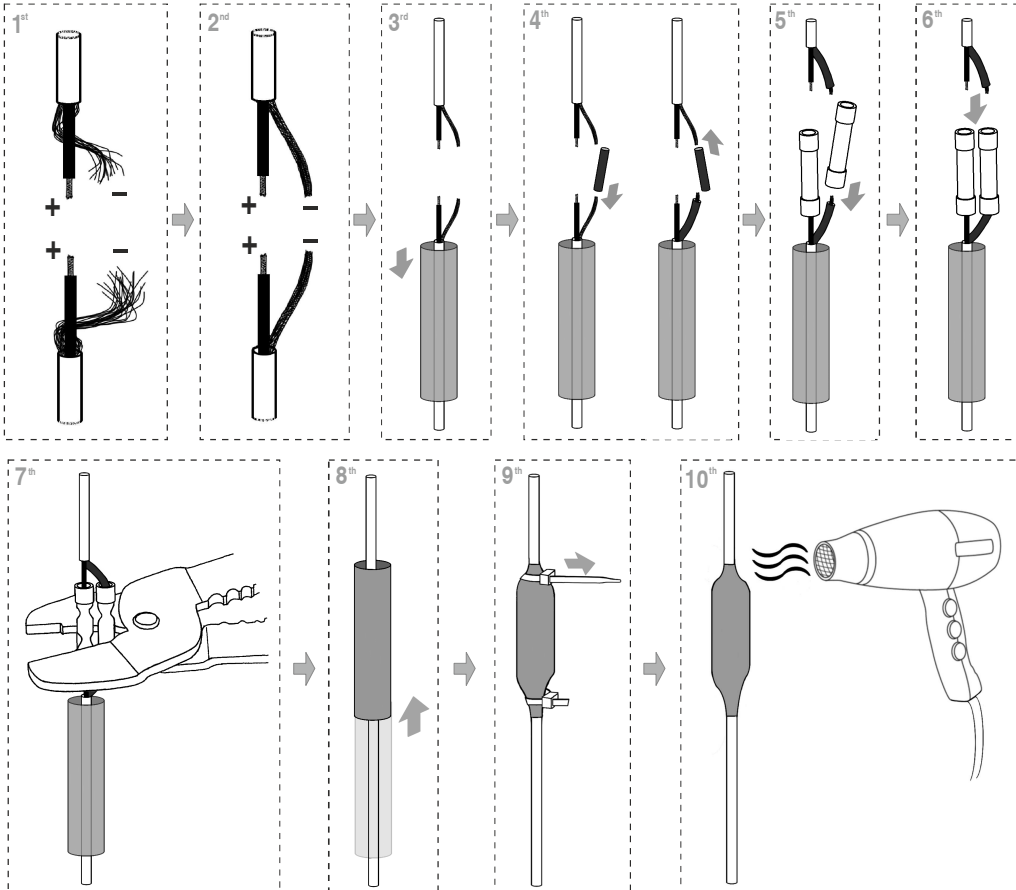
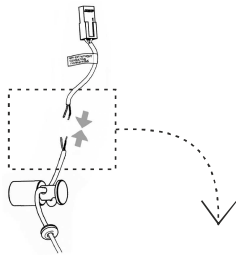


17b. Adjust the height of the light fitting by pulling the cables through the pieces (O), as shown in the drawing.

18b. Slide the cable clamp to the desired height and cut off the excess cable.

19b. Prepare the ends of the cable as shown in the drawings. Connect the length of cable in the connection terminal to the end of the cable fitted using the parts in the bag supplied. Making sure the polarity (+ -) is correct.

19b



Maintenance

- Use a slightly-wet cotton cloth for cleaning.
- In case of malfunction or damage, please contact the retailer who sold the lamp.