

Wireflow

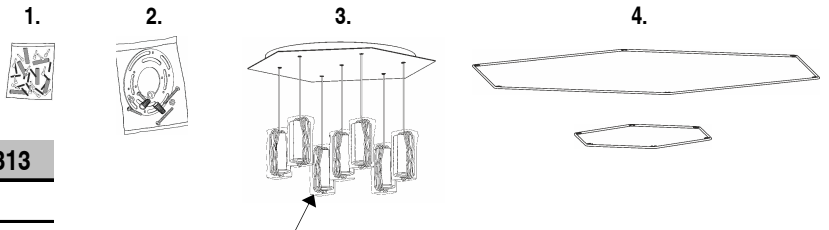
Design by Arik Levy



ASSEMBLY INSTRUCTIONS

CAUTION: TO AVOID POSSIBLE ELECTRICAL SHOCK, MAKE CERTAIN ELECTRICITY IS SHUT OFF AT MAIN PANEL BEFORE WIRING
 All wiring must be in accordance with national and local electrical codes. If you are not familiar with wiring, you should use a qualified electrician.
 This product must be installed in accordance with the applicable installation code by a person familiar with the construction and operation of the product and the hazards involved.

SUPPLIED MATERIAL



WARNING - DO NOT REMOVE PROTECTIVE COVERS OF THE LED SPOTLIGHTS UNTIL INSTALLATION IS COMPLETED.

	0299 to 0313
1 Components Bag	1
2 Installation components bag	1
3 Lighting fixture	1
4 Set of rods or frames	1

TECHNICAL SPECIFICATIONS

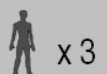
0299.	Net Weight	21.16 lbs.		8 x LED 4,5W 350 mA	IP20		~ 50-60 Hz	DRY LOCATION	Multi-volt
0300.	Net Weight	19.73 lbs.		8 x LED 4,5W 350 mA	IP20		~ 50-60 Hz	DRY LOCATION	Multi-volt
0301.	Net Weight	19.29 lbs.		8 x LED 4,5W 350 mA	IP20		~ 50-60 Hz	DRY LOCATION	Multi-volt
0302.	Net Weight	18.95 lbs.		8 x LED 4,5W 350 mA	IP20		~ 50-60 Hz	DRY LOCATION	Multi-volt
0303.	Net Weight	18.73 lbs.		8 x LED 4,5W 350 mA	IP20		~ 50-60 Hz	DRY LOCATION	Multi-volt
0304.	Net Weight	12.45 lbs.		6 x LED 4,5W 350 mA	IP20		~ 50-60 Hz	DRY LOCATION	Multi-volt
0305.	Net Weight	11.68 lbs.		6 x LED 4,5W 350 mA	IP20		~ 50-60 Hz	DRY LOCATION	Multi-volt
0306.	Net Weight	11.46 lbs.		6 x LED 4,5W 350 mA	IP20		~ 50-60 Hz	DRY LOCATION	Multi-volt
0307.	Net Weight	11.24 lbs.		6 x LED 4,5W 350 mA	IP20		~ 50-60 Hz	DRY LOCATION	Multi-volt
0308.	Net Weight	11.02 lbs.		6 x LED 4,5W 350 mA	IP20		~ 50-60 Hz	DRY LOCATION	Multi-volt
0309.	Net Weight	11.68 lbs.		4 x LED 4,5W 350 mA	IP20		~ 50-60 Hz	DRY LOCATION	Multi-volt
0310.	Net Weight	10.58 lbs.		4 x LED 4,5W 350 mA	IP20		~ 50-60 Hz	DRY LOCATION	Multi-volt
0311.	Net Weight	10.36 lbs.		4 x LED 4,5W 350 mA	IP20		~ 50-60 Hz	DRY LOCATION	Multi-volt
0312.	Net Weight	10.14 lbs.		4 x LED 4,5W 350 mA	IP20		~ 50-60 Hz	DRY LOCATION	Multi-volt
0313.	Net Weight	9.92 lbs.		4 x LED 4,5W 350 mA	IP20		~ 50-60 Hz	DRY LOCATION	Multi-volt

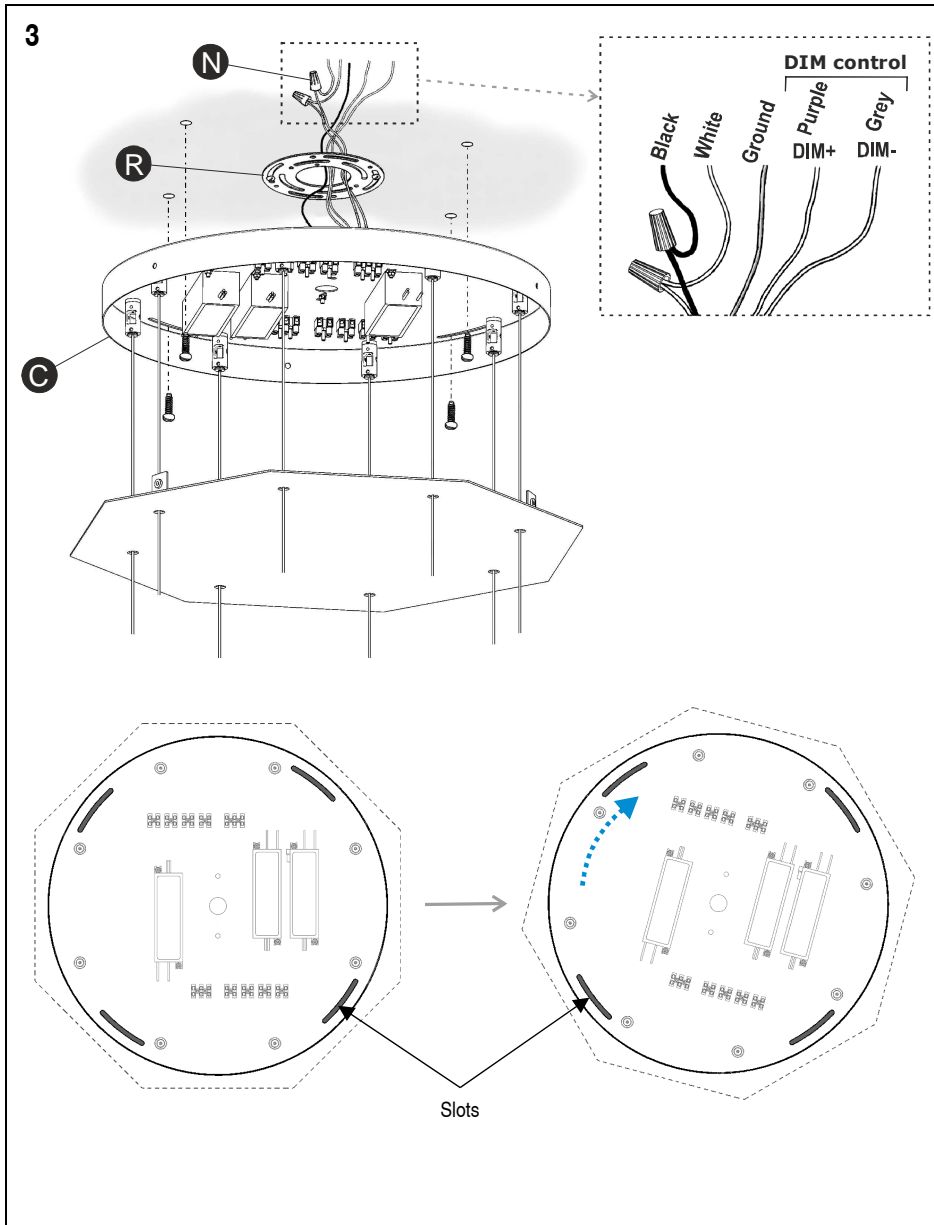
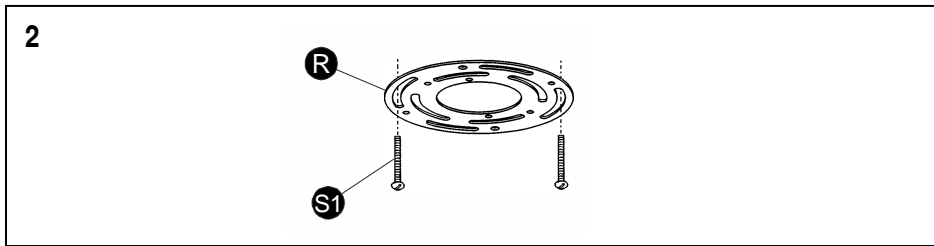
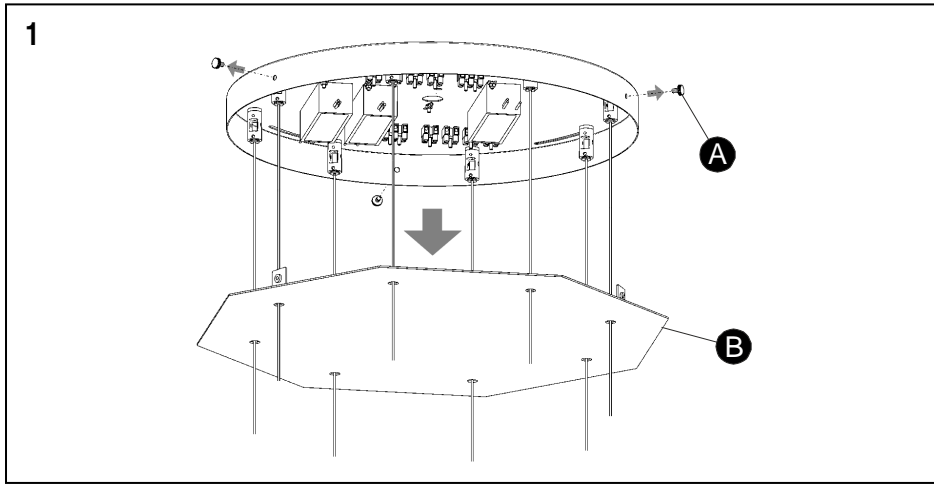
IP20 Product protected against solid object as big as or bigger than 12 mm. No protection against water.
 ~ Alternating current

Caution

Before assembling and installing this product, carefully read the following:

- Switch off the mains before installing the lamp.
- To install on the ceiling, always choose the most adequate fixing tools for the ceiling material.
- If the steel cable or the power cord of this lamp is damaged, it must be replaced only by the manufacturer or their technical service or by a person capacitated to this effect to avoid any risk.
- This lamp is for indoor use only, excluding bathrooms or any type of humid surface.
- Make sure your ceiling can support the weight of the lamp.
- We recommend reading the manual before installing the lamp. Keep these instructions for future reference.
- At least three people are needed to install and uninstall the lamp.





IMPORTANT NOTICE:

Caution: to avoid possible electrical shock, make certain electricity is shut off at main panel before wiring

1. Remove the three nuts (A) to remove the plate (B).

2. Making certain that the threads of the cross bar screws are pointing away from the wall, secure the round cross bar (R) to the junction box using the mounting screws (S1).

3. Connect the white fixture wire to the white wire of the supply circuit. Connect the black fixture wire to the black wire of the supply circuit. Secure with the wire nuts (N) and tape connections with electrical tape. Connect the fixture copper ground wire and the supply ground wire to the ground screw on the round cross bar using the ground terminal.

Connect your DIM control lines to poles DIM+ (Purple) and DIM- (Grey).

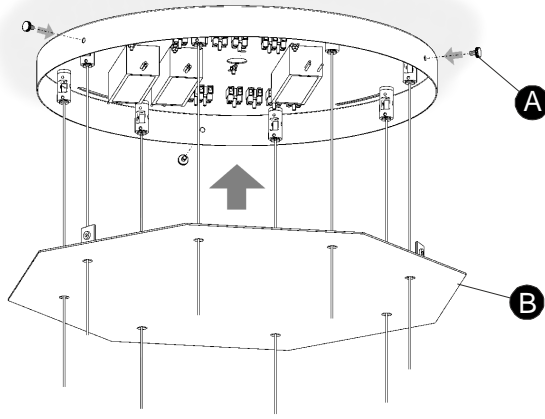
NOTE: If system is not compatible with 5 wire 1-10V dimming or if you wish to install this fixture as non dimmable, you may cap off the dim+ and dim- wires.

Push the connections and all excess wire to the interior of the junction box. Spread the electrical splices on the round cross bar (R) so that the black wires are on one side of the junction box and the white wires on the other.

IMPORTANT: Fix the box (C) to the ceiling with suitable screws (not supplied). Fix the box (C) so that the light fitting points the right way. It has slots so that once it has been hung and before tightening the fixing screws it can be adjusted to face in the desired direction.

ASSEMBLY INSTRUCTIONS

4

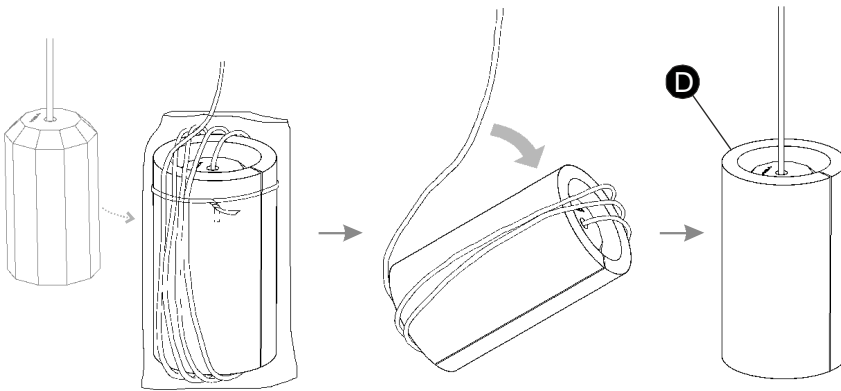


4. Replace the plate (B) and secure it with the nuts (A), tightening it by hand, without using tools.
5. Each of the spotlights is wrapped up. Remove the outer plastic bags and unroll the cable. Do not remove the protective profile (D).

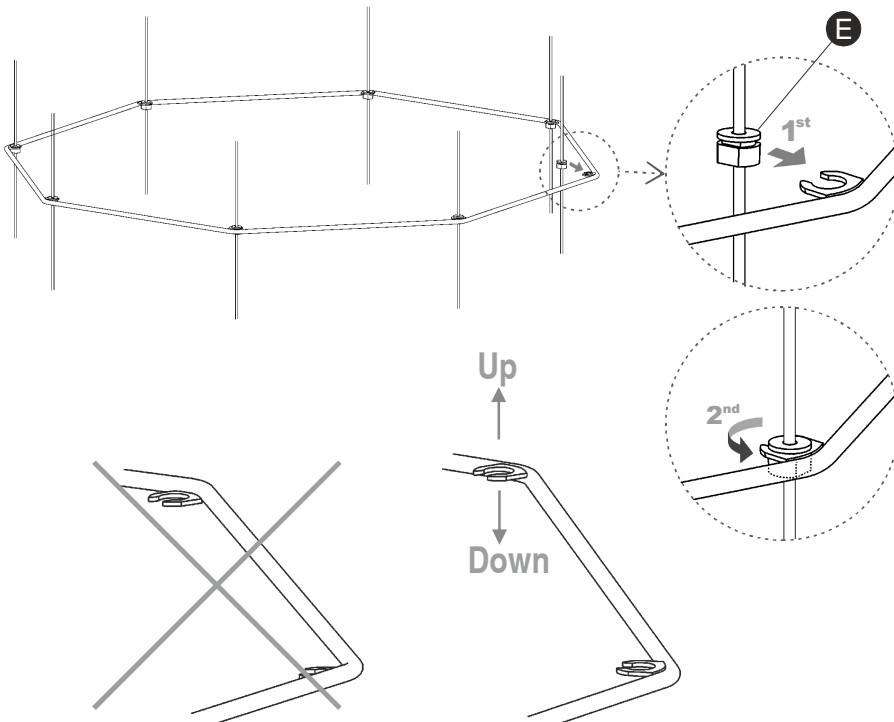
FITTING THE RODS OR FRAMES

6. The rods or frames are secured by the plastic pieces (E) fitted to the cable. They leave the factory adjusted to the correct height. First, insert the piece (E) in the hook on the rod and then turn it 90° to secure it. **IMPORTANT:** To install rods, fit hooks (attached to rod or frame) into the groove located on the upper portion of the plastic piece (E). See X detail.

5

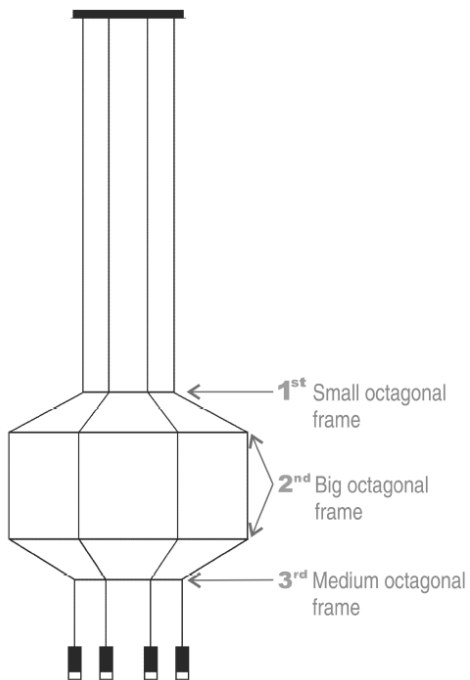


6

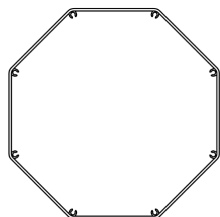
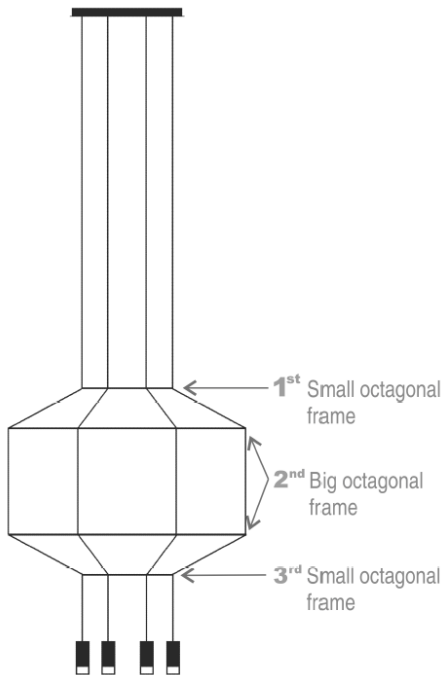


DETAIL X

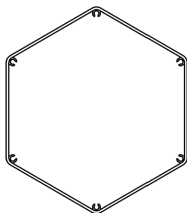
7 Refs.: 0299, 0300, 0301



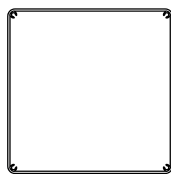
Refs.: 0302, 0303



Octagonal frame

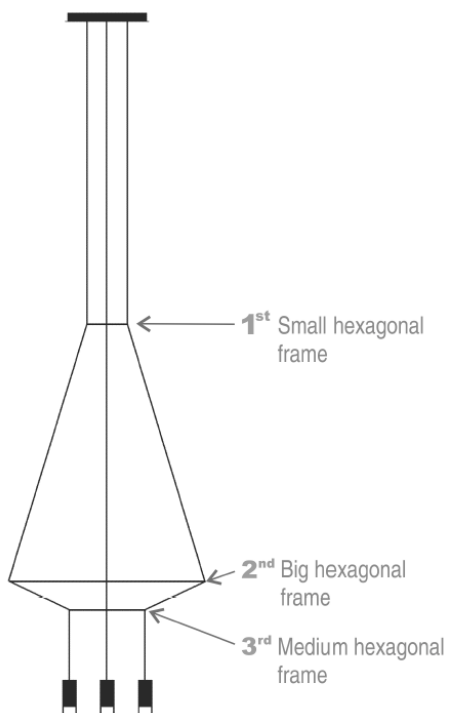


Hexagonal frame

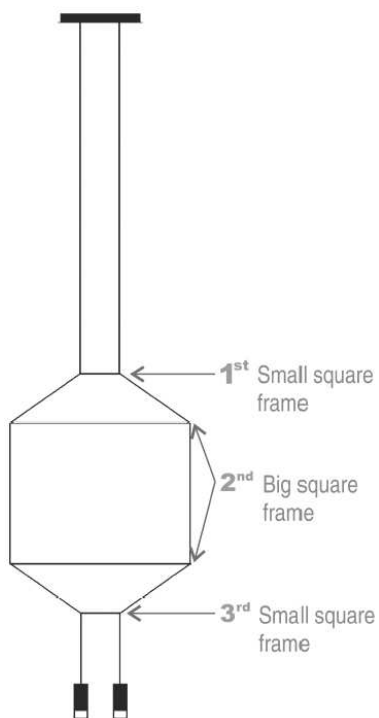


Square frame

Refs.: 0304, 0305, 0306, 0307, 0308

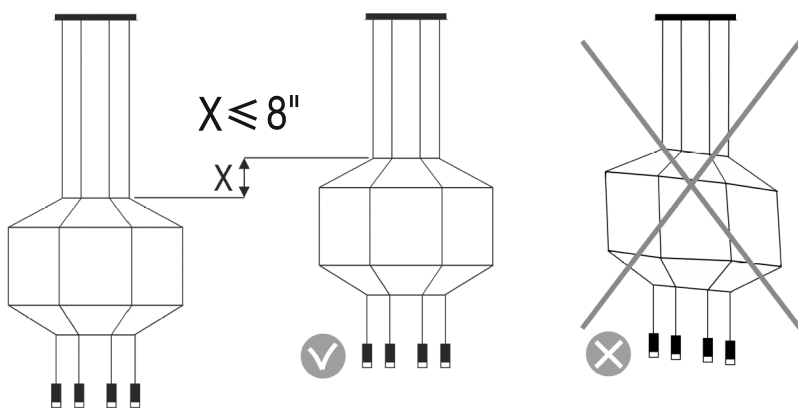


Refs.: 0309, 0310, 0311, 0312, 0313



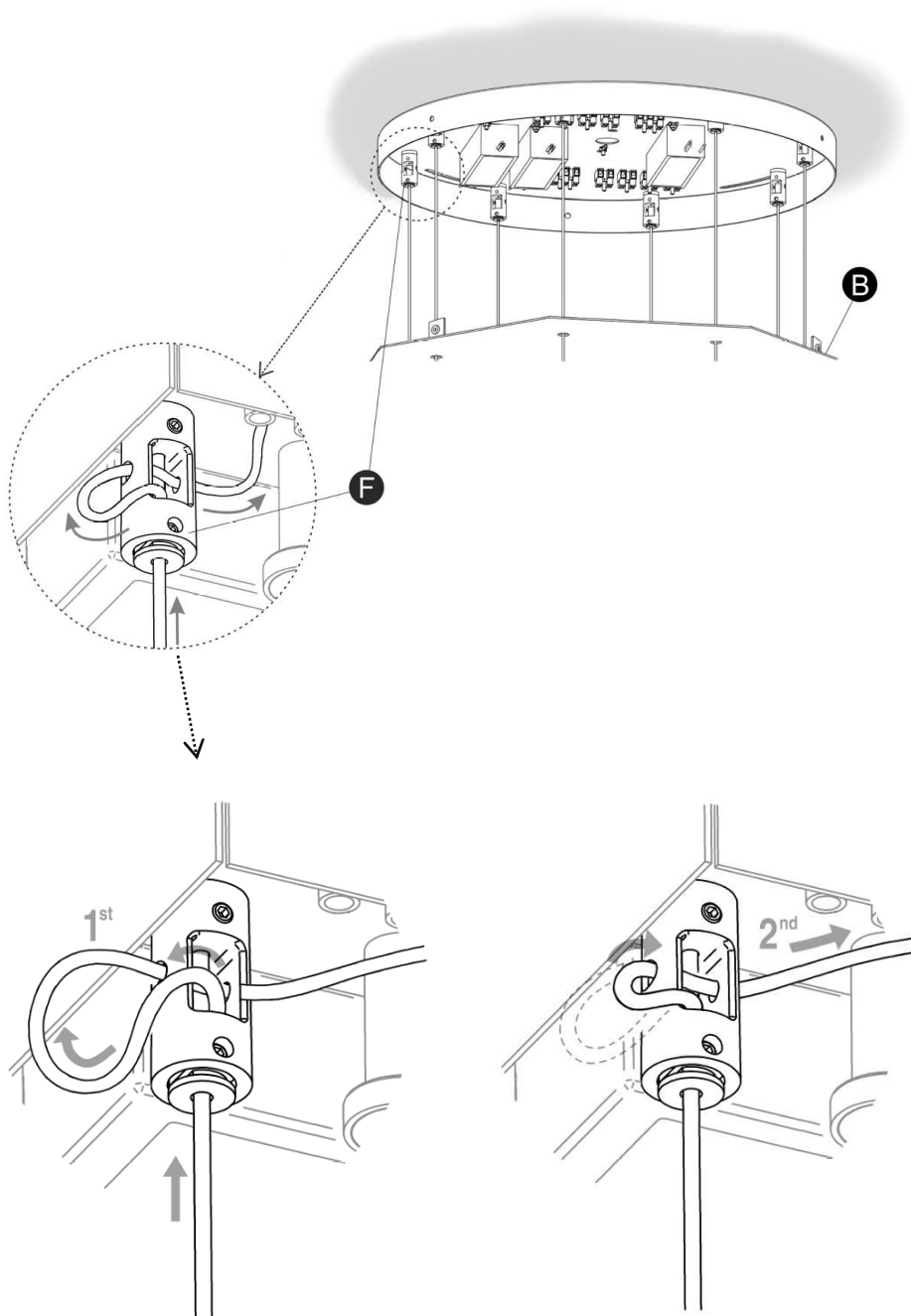
7. The set of rods or frames supplied varies depending on the product reference purchased. Fit the bars in the order shown.

8

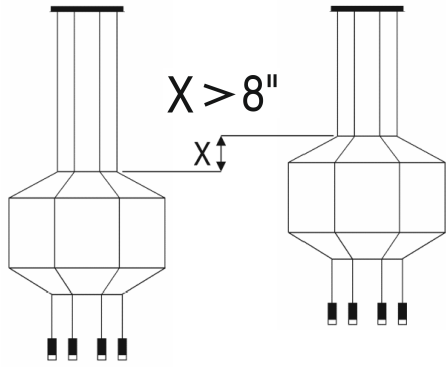


8. If you require a level light fitting equal or less than 8" follow the steps explained below. With the panel (B) in the hanging position, pull the cables through the pieces (F), as shown in the drawing.

VERY IMPORTANT: Adjust all of the cables to the same height through the pieces (F), so avoid deformation of the light fitting volume.

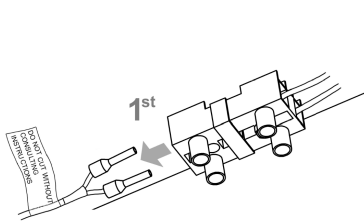


9



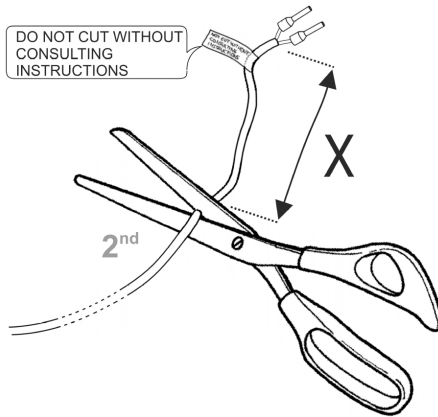
$X > 8''$

X



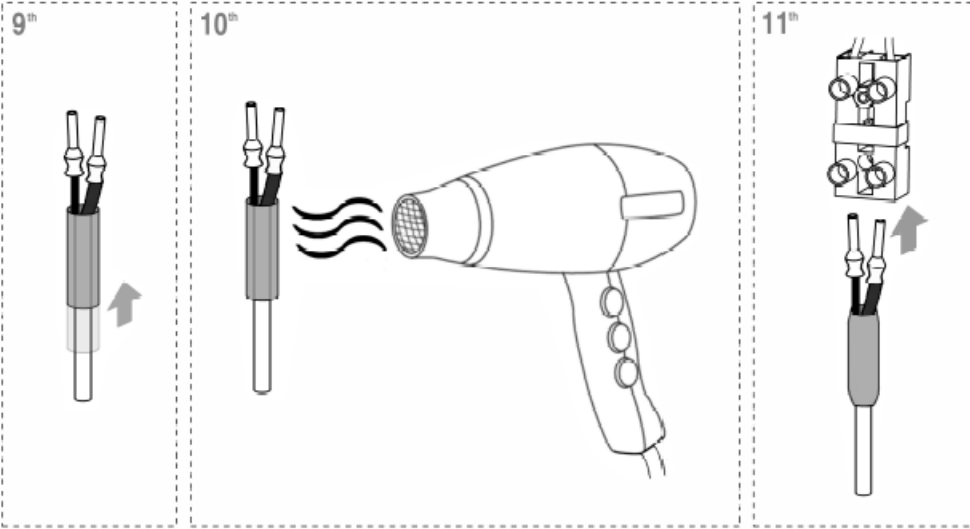
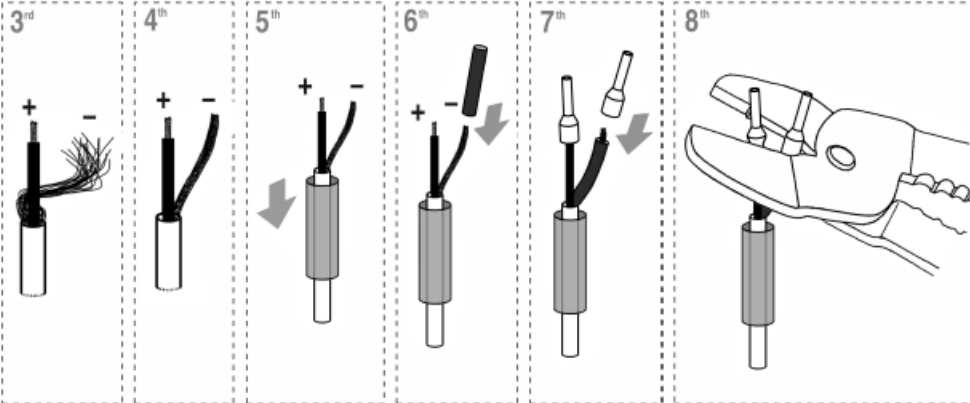
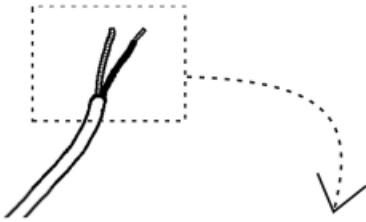
1st

DO NOT CUT WITHOUT CONSULTING INSTRUCTIONS



2nd

X



VERY IMPORTANT: If you reduce the length of the light fitting by more than 8", the excess cable exposed inside the ceiling rose must be cut off in order to avoid damage to it by overheating.

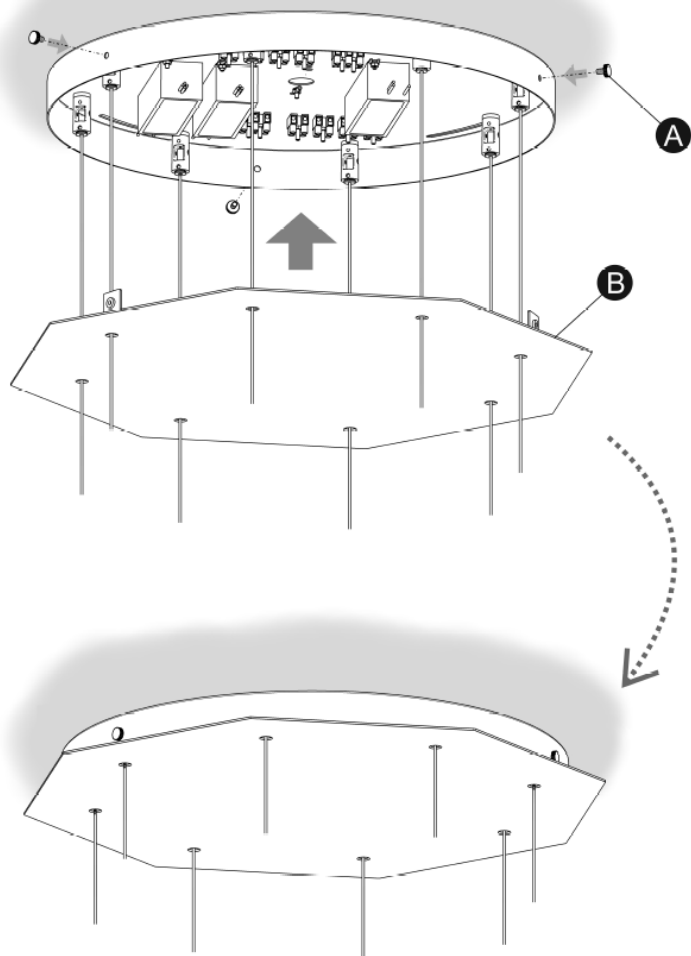
9. After adjusting the height according to the instructions in point 8, follow the instructions:

- Release the cables from the terminal block.
- Remove the same length X of cable through which the light fitting has been raised from the loose connected cable.

- Prepare the ends of the cable as shown in the drawings, using the components in the bag supplied. Reconnect the cables to the terminal block, making sure the polarity (+ -) is correct.

If the cables are connected the wrong way round in the terminal block, the lights may not work; in this case, switch them round.

10



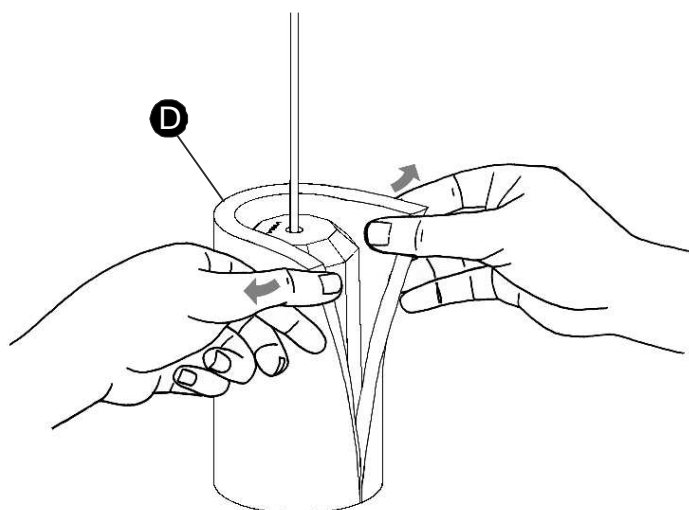
10. Replace the plate (B) and secure it with the nuts (A), tightening it by hand, without using tools.

11. After installation is complete, remove the protective profile (D) from each of the spotlights by hand, breaking each profile along the pre-cut line.

IMPORTANT NOTE:

The pressed glass of this lighting has a principal character as it has been elaborated with craftsmanship, in a natural way that could be presented as a result some small bubbles, including diverse materials, relieve thread, differences in thickness and lines. This lack of precision is accredited to the sensitive craft work, the exclusiveness and authenticity of this glass.

11



Maintenance

- Use a slightly-wet cotton cloth for cleaning.
- In case of malfunction or damage, please contact the retailer who sold the lamp.