

Features

- Distinctive round spun-glass basin.
- No faucet holes; requires wall- or counter-mount faucet.
- Glass material provides a strong durable surface that is easy to clean yet visually distinctive
- Fits in or within a standard size countertop and works with a variety of faucet styles

Material

- Glass

Installation

- Under-mount

Required Products/Accessories

K-7107 Decorative Drain

or

K-7108 Decorative Drain

or

K-7129 Drain

Included Components

Additional Components:

52047 Clamp Accessory Pack, 4 Ea.

1070246



ADA

Codes/Standards

CSA B45.11/IAPMO Z401

CSA B45.5/IAPMO Z124

ADA








ICC/ANSI A117.1

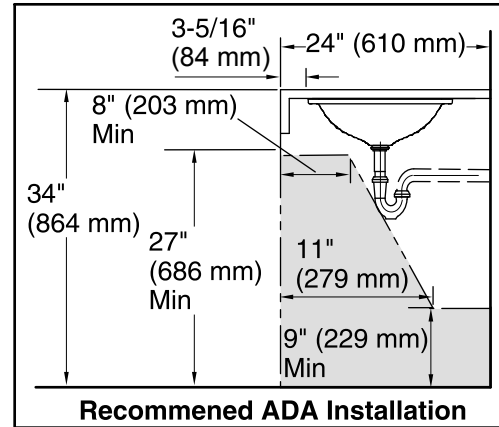
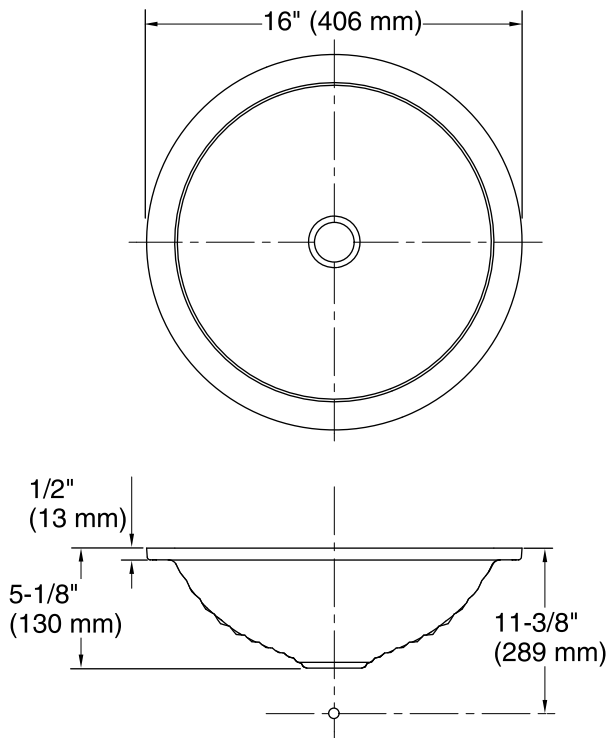
KOHLER® One-Year Limited Warranty

See website for detailed warranty information.

Available Colors/Finishes

Color tiles intended for reference only.

| Color | Code | Description |
|--|------|------------------------|
|  | B11 | Ice |
|  | TG1 | Translucent Dusk |
|  | TG2 | Translucent Dew |
|  | TG3 | Translucent Doe |
|  | TG6 | Translucent Sapphire |
|  | TG7 | Translucent Sandalwood |
|  | TG8 | Translucent Stone |



Technical Information

All product dimensions are nominal.

| | |
|---------------------|---|
| Bowl configuration: | Single |
| Installation: | Under-mount |
| Bowl area (Only): | Diameter: 13-5/8" (346 mm) Bowl depth: 4-1/4" (108 mm) Water depth: 4-1/4" (108 mm) |
| Template: | 1035896-7, required, included |

Notes

Install this product according to the installation instructions.

NOTICE: Countertop manufacturer or cutter must use the cut-out template provided with the product, or a current one provided by Kohler Co. (call 1-800-4-KOHLER). Kohler Co. is not responsible for cutout errors when the incorrect cut-out template is used.

ADA compliant when installed to the specific requirements of these regulations.