

### Features

- Includes faceplate with handle
- A single handle controls both on/off activation and temperature setting
- Integrated push-button diverter
- Complements Composed faucets and accessories
- Push-button diverter
- Valve features an adjustable high-temperature limit stop to control maximum temperature to eliminate scalding
- Coordinates with faucets and accessories in the Composed collection
- Rite-Temp® pressure-balancing technology maintains water temperature within +/- 3°F



### Material

- Premium material construction with metal handle ensures reliability and durability
- KOHLER finishes resist corrosion and tarnishing
- Includes faceplate with single lever handle that controls both on/off activation and temperature setting

### Installation

- Trim only; requires valve to complete installation (sold separately)
- Trim only; requires K-11748-K or K-11748-KS Rite-Temp pressure-balancing valve (sold separately)

### Required Products/Accessories

K-11748 Series Rite-Temp® Valves

### Recommended Products/Accessories

K-23723 Faucet cleaner

### Optional Products/Accessories

1156950

**ADA**

### Codes/Standards

ASME A112.18.1/CSA B125.1

ADA

ICC/ANSI A117.1

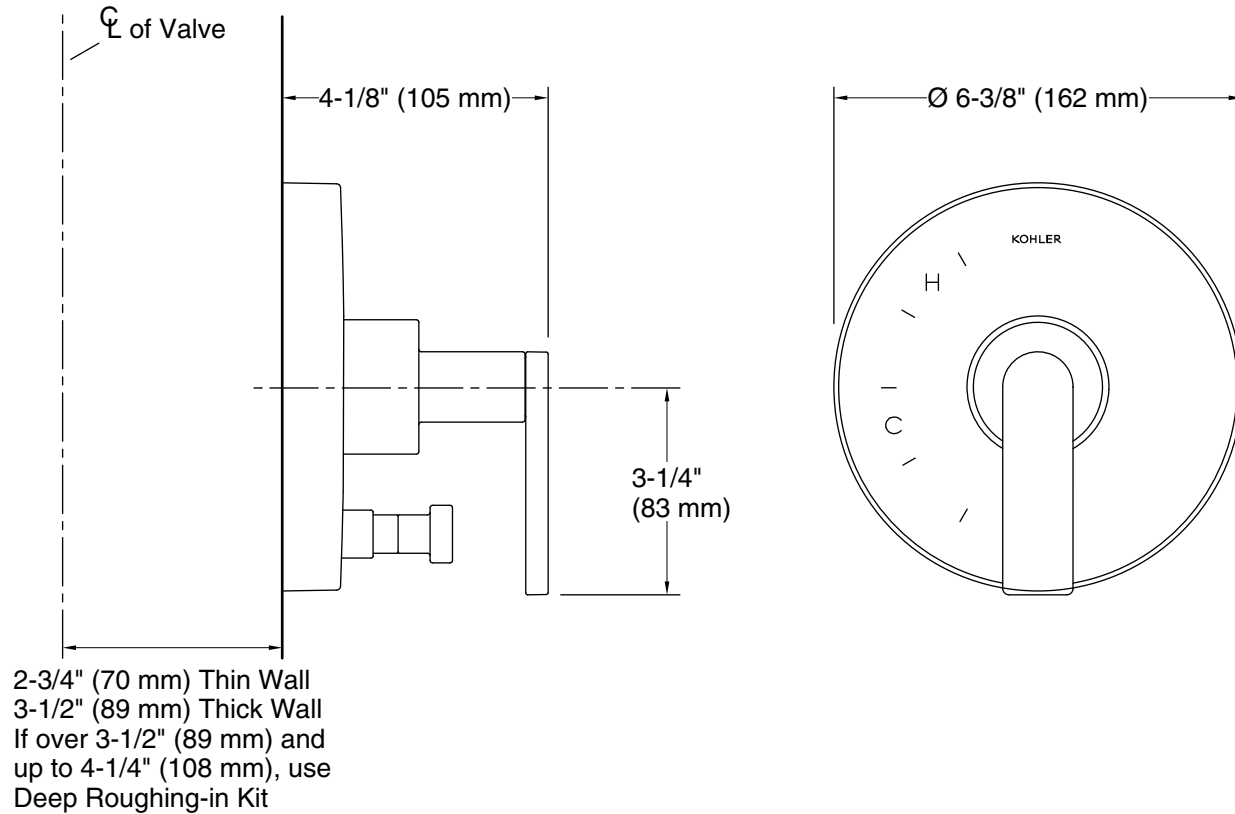
### KOHLER® Faucet Lifetime Limited Warranty

See website for detailed warranty information.

### Available Colors/Finishes

*Color tiles intended for reference only.*

Color	Code	Description
	CP	Polished Chrome
	BL	Matte Black
	2MB	Vibrant® Brushed Moderne Brass
	TT	Vibrant Titanium



**Technical Information**

All product dimensions are nominal.

**Notes**

Install this product according to the installation guide.

ADA compliant when installed to the specific requirements of these regulations.