



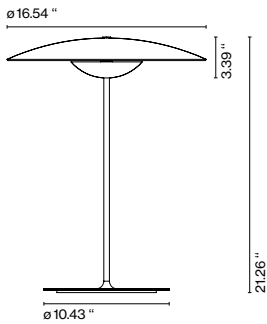
# LED-Ginger

## Joan Gaspar

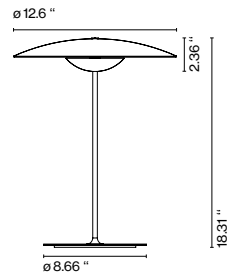
**marset**



**LED-Ginger M**



**LED-Ginger S**



**LED-Ginger M\***  
 LED SMD 21W 700mA  
 2700K CRI90  
 Delivered lumens 698lm  
 (included)

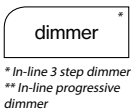
**LED-Ginger S\*\***  
 LED SMD 14W 700mA  
 2700K CRI90  
 Delivered lumens 300lm  
 (included)

- Oak
- Wenge

Diffuser and pressed wood base of 0.16" in natural oak or wenge. Injected aluminum dissipater and lacquered black matte metal stem.



Dry locations only

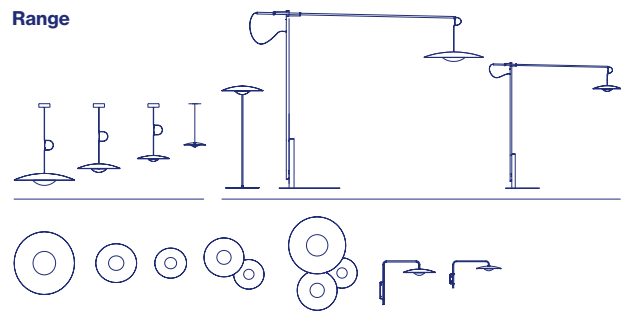


- [Download](#) Assembly Instructions
- [Download](#) Photometric Data
- [Download](#) 2D
- [Download](#) 3D

Cable length - 6.6ft

Black electrical cord

**Range**



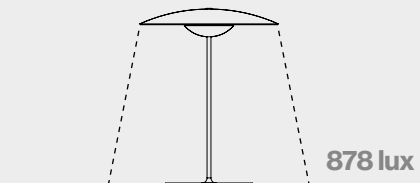
**WARNING.** California Proposition 65 Warning for California Consumers. This product can expose you to chemicals including wood dust and lead which are known to the State of California to cause cancer or birth defects or other reproductive harm. For more information go to [www.P65Warnings.ca.gov](http://www.P65Warnings.ca.gov)

**Watch the video**  
[marsetusa@marset.com](mailto:marsetusa@marset.com)  
[www.marset.com](http://www.marset.com)

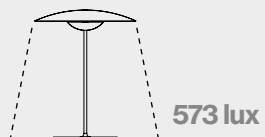
Wood is a great ally of cozy lighting. It is a material that is hard to mold, a challenge that the LED-Ginger collection neatly resolves. The combination of sheets of wood and paper pressed together under high pressure achieves a laminate that appears almost entirely flat.

### How LED-Ginger illuminates

**LED-Ginger M**



**LED-Ginger S**



**LED-Ginger 20 M**

