

Installation Instructions

B168

For Outdoor Meridian Wall sconce 30-5615 & 30-5615F

Page 1 of 2

CAUTION: FAILURE TO INSTALL THIS FIXTURE PROPERLY MAY RESULT IN SERIOUS PERSONAL INJURY OR DEATH AND PROPERTY DAMAGE. We recommend installation by a licensed electrician.

This product must be installed in accordance with applicable installation code(s), by a person familiar with the construction and operation of the product and the hazards involved.*

Caution: Do not exceed maximum wattage noted on fixture. Use only recommended bulbs with fixture.

For fixtures requiring assembly, please refer to assembly instructions before installation.

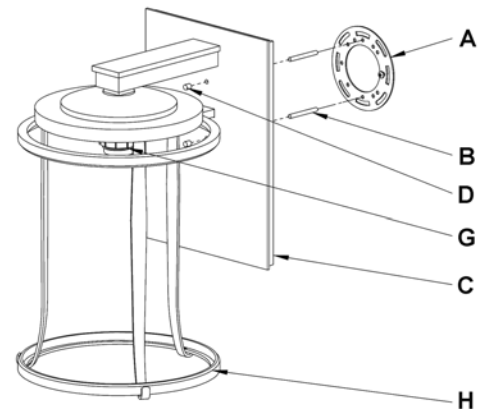
To Install Fixture (Figures 1, 2 & 3)

Component Parts

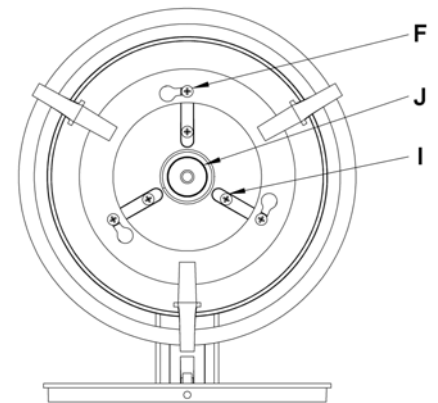
- | | |
|--------------------------|--------------------------------------------------------------|
| A Crossbar | G Retaining Ring (2) ("F" version has only 1 retaining ring) |
| B Threaded Studs (2) | H Spider Assembly |
| C Fixture | I 8-32 x 1" Screws (3) |
| D Barrel Knobs (2) | J Socket |
| E Caulking Lip | |
| F 8-32 x 3/8" Screws (3) | |

Caution: Be sure power is off at the main breaker box prior to installation.

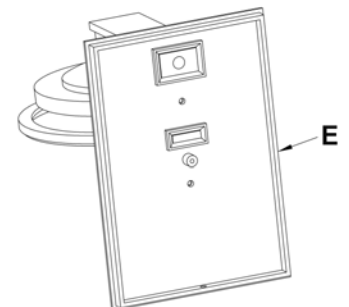
1. Carefully unpack the fixture from the carton.
2. Remove glass retaining rings (G) and save for later use.
Note – "F" version has only one retaining ring.
3. Loosen screws (I) that are shipped installed in threaded bosses on underside of fixture next to socket. Loosen screws (I) until there are only a couple threads engaged with the threaded bosses.
4. Loosen screws (F) so that spider assembly (H) will turn clock wise. It is not necessary to completely remove screws (F) from fixture. Once spider assembly (H) is loose turn until it slips over the heads of the screws. Set aside for later use (Figure 2).
5. Using two machine screws (not provided) attach cross bar (A) to the electric box using inside oval holes to orient fixture. **Note: A new electric box comes with screws. When replacing a fixture, retain the screws for use with the new fixture.**
6. Start threaded studs (B) into appropriate holes in crossbar (A).
7. Using suitable wire connectors (not provided), connect the fixture wires to the supply wires, (white to white, black to black, bare copper or green to bare copper or green). If the fixture is wired with twin lead lamp cord, connect the ribbed side to white, and the smooth side to black.
Caution: Make sure wire connectors are twisted on securely and no bare wires are exposed.
8. Apply a generous bead of a suitable caulking material to caulking lip (E) on the fixture (Figure 3).
9. Carefully tuck all wires behind the fixture. Place fixture (C) over threaded studs (B) and tighten firmly to mounting surface using barrel knobs (D).



(Figure 1)



(Figure 2)



(Figure 3)

(continued)

Installation Instructions

For Outdoor Wall sconce 30-5615

B168

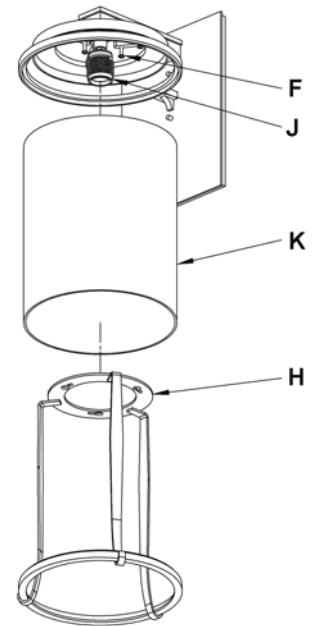
Page 2 of 2

To Install Outer Glass (Figure 4)

Component Parts

- F Screws (3)
- H Spider Assembly
- J Socket
- K Outer Glass (larger diameter glass)

1. Slip outer glass (K) over spider assembly (H).
2. Raise spider assembly (H) with outer glass (K) installed and slip over socket (J) aligning holes in the top of the spider assembly (H) keyed ring goes over screws (F).
3. Turn spider assembly (H) counter clockwise until it stops. Tighten three screws (F) until snug against the spider assembly. *Be careful not to over tighten.*



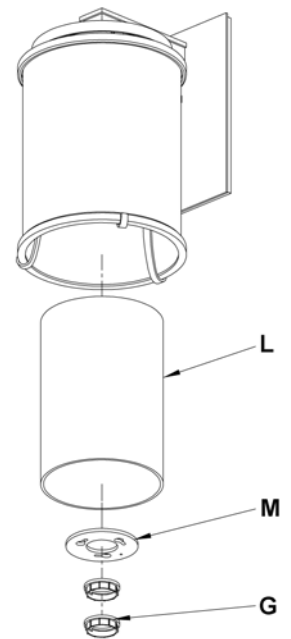
(Figure 4)

To Install Inner Glass (Figure 5)

Component Parts

- G Retaining Ring (2) ("F" version only 1)
- L Inner Glass
- M Washer

1. Raise inner glass (L) and washer (M) over socket aligning holes in washer (M) so the washer keyed ring goes over screws.
2. Turn washer (M) counter clockwise until it stops. Tighten three screws until snug against the inside of glass (L). *Be careful not to over tighten.*
3. Thread the first retaining ring (G) on to socket until it is against washer (M).
4. Thread the second retaining ring (G) onto socket until it is snug against the first retaining ring. *Do not over tighten. Disregard this step for the "F" version.*
5. Install light bulb.
6. Restore electricity at the main breaker.



(Figure 5)

If you need further assistance, or find that you are missing any parts, please contact the dealer from which you purchased this product. We hope you enjoy your fixture!

* Hubbardton Forge will not be liable for injury or damage caused by improper installation, lamping or use of this fixture.