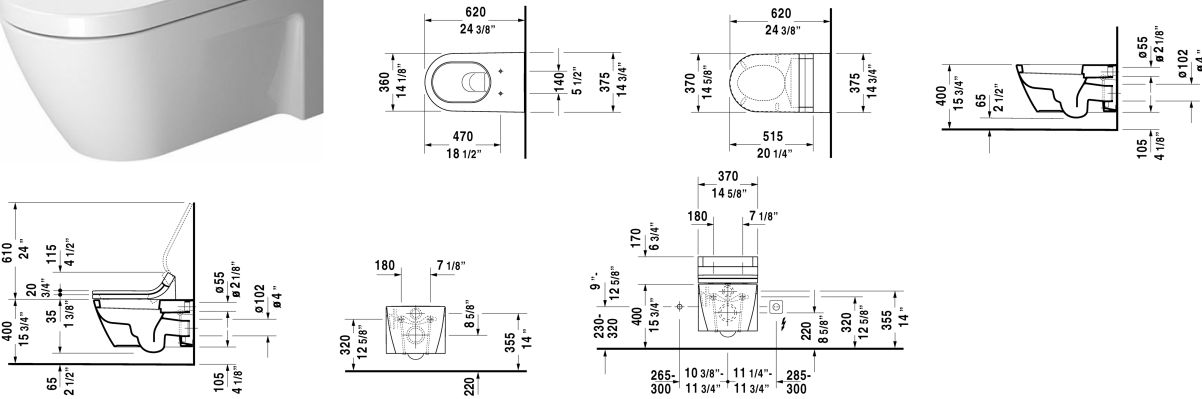


Starck 2 Toilet wall-mounted ♿ # 2533090092

< 14 1/8" Inch >



Toilet wall-mounted	Dimension	Weight	Order number
washdown model, Durafix included, suitable for SensoWash Starck, cUPC listed			
Colors			
00 White			
Variant			
♣ 1.6/0.8 gpf	14 1/8" x 24 3/8" Inch	63.9 lb	2533090092
Infobox			
Durafix for concealed fixation is included, In-wall tank & carrier and actuator plate required for installation / Refer to page XXX, For Starck 2 toilets manufactured before February 2012, the toilet seats without soft-close # 0066910000 and with soft-close # 0066990000 are suitable, Wall-mounted toilet is ADA compliant, when installed with a seat height of 17" - 19" from the finished floor, For suitable SensoWash® shower-toilet seats, please see matrix on page xxx			
Sanitary ceramics with the special WonderGliss surface finish will remain clean and attractive-looking for a long time to come. When ordering WonderGliss please add a "1" as eleventh digit to the model number.			
Sigma 01 flush plate, dual flush for toilets, White	9 5/8" x 6 1/2" Inch		115770
Geberit carrier for toilets	19 3/4" x 3 1/8" Inch	37.5 lb	111798
Geberit in-wall tank and carrier for toilets, width 19 3/4", depth 5 1/2" height (adjustable) 43" - 47"	19 3/4" x 5 1/2" Inch	40.8 lb	111335
Noise reduction gasket for wall-mounted toilet		0.7 lb	005064

Suitable products

<p>SensoWash Starck shower-toilet seat for Starck 2, Starck 3 and Darling New* remote control included, power actuated lid and seat, rear-, front and oscillating wash, individual adjustment of water-, air- and seat surface temperature as well as nozzle position and jet strength, self-cleaning wand, 2 individually programmable user profiles, night light, Quick release: easy seat unit removal and attachment, on / off-button, 14 5/8" x 20 1/4" Inch</p>	<p>14 5/8" x 20 1/4" Inch</p>	<p>610000</p>
<p>Toilet seat and cover elongated, hinges stainless steel, without slow close,</p>		<p>006332</p>
<p>Toilet seat and cover elongated, hinges stainless steel, removable, with slow close,</p>		<p>006339</p>

All drawings contain the necessary measurements which are subject to standard tolerances. They are stated in inch & mm and are non-binding. Exact measurements, in particular for customized installation scenarios, can only be taken from the finished ceramic piece.