

Installation Instructions

B350

Collage Sconces 205428DL, 205428DR & 205432D

Page 1 of 2

CAUTION: FAILURE TO INSTALL THIS FIXTURE PROPERLY MAY RESULT IN SERIOUS PERSONAL INJURY OR DEATH AND PROPERTY DAMAGE. We recommend installation by a licensed electrician.

This product must be installed in accordance with applicable installation code(s), by a person familiar with the construction and operation of the product and the hazards involved.*

Caution: Do not exceed maximum wattage noted on fixture. Use only recommended bulbs with fixture.

Please Note: This fixture is designed to be mounted on a standard wall surface and may not be suitable for all applications. Sconces are to be mounted 4 feet above ground. If installing in a non-wood frame application, we recommend consulting a qualified builder or electrician.

To Mount Fixture to Wall (Figures 1 & 2)

Component Parts

- | | | | |
|---|---------------------|---|---------------------|
| A | Fixture Assembly | E | Cupped Washer |
| B | Mounting Bracket | F | Decorative Assembly |
| C | #8 Black Screws (4) | G | Black Screws (2) |
| D | Green Ground Screw | | |

Caution: Be sure power is off at the main breaker box prior to installation.

1. Carefully unpack the fixture from the carton.
2. Using two machine screws (not provided) fasten the mount bracket (B) to the electric box.

Note: A new electric box comes with screws. When replacing an existing fixture, retain screws for use with the new fixture.

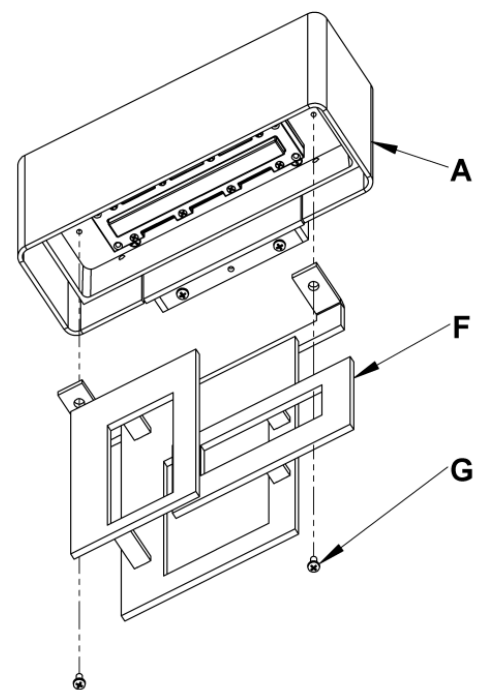
3. To aid in installation of the fixture assembly (A), remove decorative assembly (F) by removing the two black screws (G). *Figure 1.*

Note: Decorative assembly is shipped installed.

4. Hold the fixture assembly (A) close to the wall mount bracket and using suitable wire connectors (not provided), connect fixture wires to supply wires (white to white and black to black). Ground the mounting bracket using the green ground screw (D) and cupped washer (E) to secure a pigtail lead to the bracket and connect all ground wires (bare copper or green to bare copper or green).

Caution: Make sure wire connectors are twisted on securely, and no bare wires are exposed.

5. Carefully tuck all wires behind the fixture assembly (A) and inside the wall mount bracket. Place the fixture firmly onto bracket (B) and fasten with two #8 black screws (C) on top.
6. Install the two remaining black screws (C) in bottom of fixture attaching to mounting bracket (B).



(Figure 1)

(Continued)

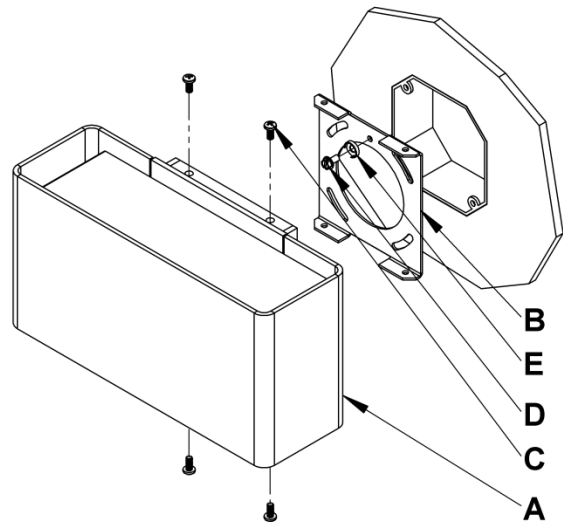
Installation Instructions

Collage Sconces 205428DL, 205428DR & 205432D

B350

Page 2 of 2

7. Place decorative assembly (F) up into fixture assembly (A) and re-install black screws (G).
Figure 1.
8. Restore power at main breaker.



(Figure 2)

If you need further assistance, or find that you are missing any parts, please contact the dealer from which you purchased this product. We hope you enjoy your fixture!

* Hubbardton Forge will not be liable for injury or damage caused by improper installation, lamping or use of this fixture.