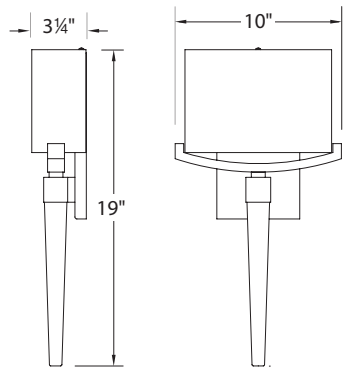
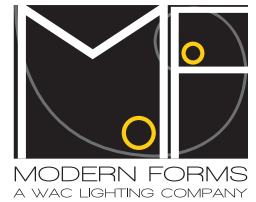


# MUSE – model: WS-12118-PN

## LED Wall Sconces



Fixture Type:

Catalog Number:

Project: \_\_\_\_\_

Location: \_\_\_\_\_

### PRODUCT DESCRIPTION

Creative expression of elements. Wood, Metal, Glass, and Technology come together in a beautifully cohesive LED sconce with a tailored wooden spike, polished nickel accents, a mitered linen glass shade and the latest advancements in LED technology. Suited for residential or commercial applications.

### FEATURES

- ETL & cETL listed for damp locations
- ADA compliant, low profile design
- No transformer or driver required
- Replaceable LED module
- 277V option available *special order*
- **80,000 hour rated life**
- **Color Temp: 3000K**
- **CRI: 90**

### SPECIFICATIONS

**Construction:** Wood tail and mitered glass

**Light Source:** High output LED

**Dimming:** Dims to 10% with an electronic low voltage (ELV) dimmer

**Mounting:** Mounts directly to junction box

**Finish:** Polished Nickel (PN)

### ORDER NUMBER

Model	Height	Watt	Voltage	LED Lumens	Delivered Lumens	Finish
<b>WS-12118</b>	18"	19W	120V	1605	1040	<b>PN</b> <i>Polished Nickel</i>

### REPLACEMENT GLASS

Model	Fixture
<b>RPL-SHA-12118-01</b>	<i>WS-12118</i>

### Back Plate Dimensions:

Model	Dimension
<b>WS-12118</b>	10L x 5W x 3/4H

**WS-12118** – **PN**

Example: **WS-12118-PN**

For 277V special order, add an "F" before the finish: **WS-12118F-PN**

wacighting.com  
Phone (800) 526.2588  
Fax (800) 526.2585

Headquarters/Eastern Distribution Center  
44 Harbor Park Drive  
Port Washington, NY 11050

Central Distribution Center  
1600 Distribution Ct  
Lithia Springs, GA 30122

Western Distribution Center  
1750 Archibald Avenue  
Ontario, CA 91760