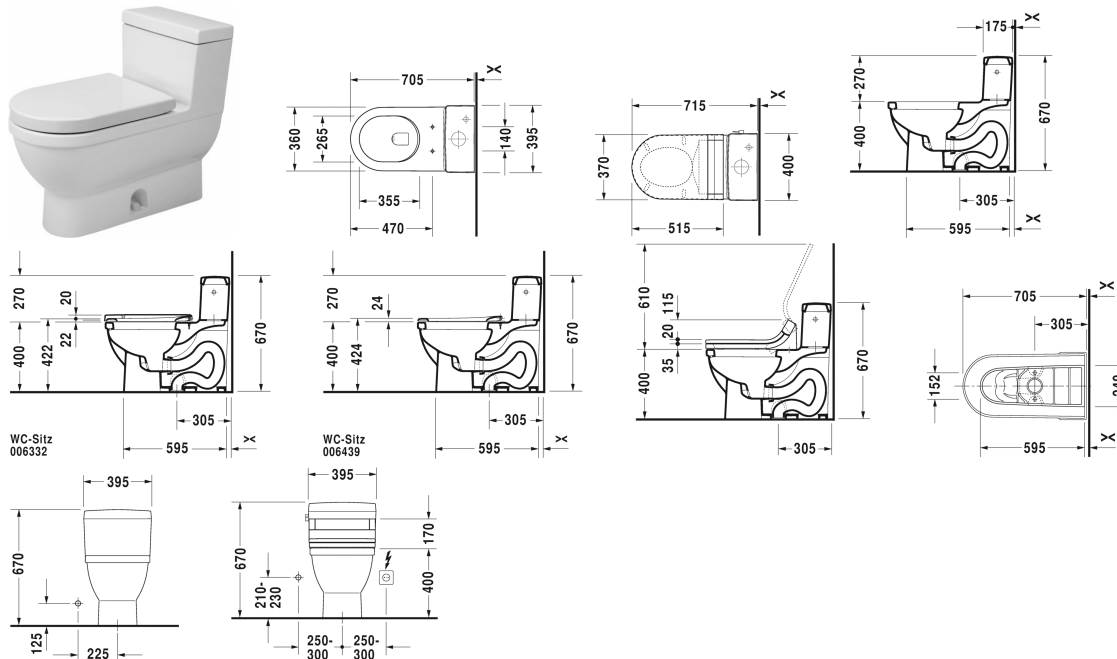



Starck 3 One-piece toilet # 212001..01

| < 370 mm > |



| One-piece toilet | Dimension | Weight | Order number |
|--|--------------|-----------------|--------------|
| US-version, elongated with syphonic jet action, 305 mm/12" rough-in, with Single Flush mechanism, with side lever, 3"/80 mm flapper valve, vertical outlet, 1,28 gpf (4,8 lpf) | | | |
| Colors | | | |
| 00 White Alpin 20 HygieneGlaze (an antibacterial ceramic glaze that provides almost indefinite effectiveness) | | | |
| Variant | | | |
|  | 370 x 715 mm | 52.100 kilogram | 212001..01 |
| Sanitary ceramics with the special WonderGliss surface finish will remain clean and attractive-looking for a long time to come. When ordering WonderGliss please add a "1" as eleventh digit to the model number. | | | |
| Accessory | | | |
| Mounting set for One-piece and Two-piece toilets, 1/2", ASIA-version | | 0.480 kilogram | 001416 |
| Mounting set for One-piece and Two-piece toilets, Outflow 3/8" - external thread, Wall Connection 1/2" - internal thread, 1/2", US-version | | 0.480 kilogram | 001417 |
| Suitable products | | | |

Starck 3 One-piece toilet # 212001..01

|< 370 mm >|

| | |
|--|--------|
| Toilet seat and cover elongated, hinges stainless steel, removable, with soft closure, | 006339 |
| Toilet seat ring elongated, open front, hinges plastic, without soft closure, | 006431 |
| Toilet seat ring elongated, open front, hinges plastic, with soft closure, | 006439 |
| Toilet seat and cover elongated, hinges stainless steel, without soft closure, | 006332 |

All drawings contain the necessary measurements which are subject to standard tolerances. They are stated in mm and are non-binding. Exact measurements, in particular for customised installation scenarios, can only be taken from the finished piece.