

**WARNING**

**DISCONNECT POWER BEFORE RELAMPING OR WIRING THE FIXTURE
READ ALL INSTRUCTIONS COMPLETELY BEFORE STARTING INSTALLATION.**

**CAUTION**

- TO AVOID THE RISK OF FIRE OR SHOCK, FIXTURE MUST BE INSTALLED IN COMPLIANCE WITH ALL APPLICABLE NATIONAL AND LOCAL ELECTRICAL/BUILDING CODES.
- INSTALLATION AND MAINTENANCE OF THIS UNIT REQUIRES AN ELECTRICIAN OR CERTIFIED FACTORY TRAINED TECHNICIAN.
- If an existing fixture is being replaced, remove it and note to which of the wires in the outlet box the fixture was attached. DO NOT SEPARATE ANY OTHER WIRES THAT MAY BE IN THE BOX. DO NOT DAMAGE THE INSULATION OF OLDER WIRING. In regular circumstances the BLACK wire will be the "Hot" lead and the WHITE wire will be the "Neutral" or "Common" lead. The GREEN or BARE COPPER wire is the "Ground". In older buildings it is always good practice to reconfirm the polarity of the wiring.

NOTICE

- The important safeguards and instructions outlined on this sheet cannot cover all possible conditions and situations that may occur. It must be understood that common sense, caution and care factors that cannot be built into any product. Caution and care must be supplied by the person(s) installing, operating and caring of this lighting fixture.
- This fixture is designed to be mounted on a correctly installed standard round or octagon box or a through wiring box with a plaster frame. The box must be securely mounted to the structure of the building. The crossbar and hardware supplied should be used. Directly mounting the fixture to the outlet box may make it impossible to correctly align the fixture.

FIXTURE PREPARATION

1. Remove the fixture, glass diffuser and parts bag(s) from the carton.

NOTICE:

**Before discarding the carton,
double check to make certain that all parts are found.**

2. Determine the overall desired length of the fixture. Adjust the length of the power cord and safety cable according to your desired length of the fixture. Tighten the grip lock after reaching the desired length. Thread the Allen screw to adjust the tightness of the cable stay that will hold both the cable wire and power cord in place.

FIXTURE INSTALLATION

1. Attach the mounting plate to the junction box using the mounting screws. The green screw should face the floor. Back out the screws 1/2 turn to allow the ring to rotate. Attach the safety cable to the structure building or brace. See figure-1.

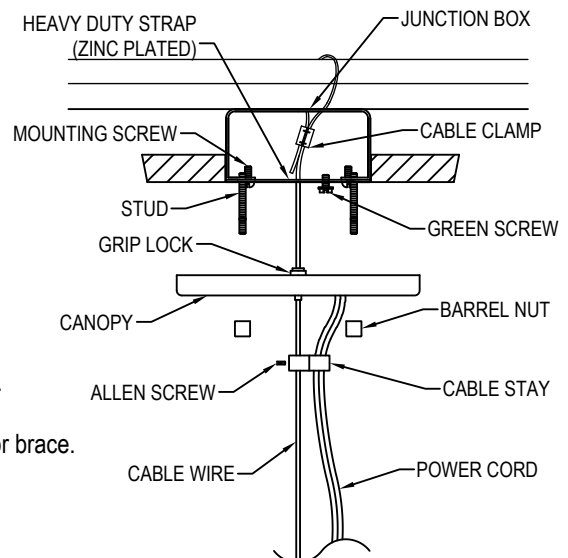
NOTICE:

**THIS LUMINAIRE MUST BE MOUNTED OR
SUPPORTED INDEPENDENTLY OF AN OUTLET BOX.**

**WARNING**

REFER TO THE ILLUSTRATION FOR CORRECT AND SAFE INSTALLATION OF SAFETY CABLE. FAILURE TO FOLLOW THIS INSTRUCTION COULD RESULT HARM/DAMAGE TO THE FIXTURE, PROPERTY AND/OR PERSON(S)!

2. Cut off the excess ground and fixture wire 6" beyond the canopy. Strip 1/2" of insulation from the ends of the wire. Twist the wire stands together.

**FIGURE-1**

3. Fasten the ground wire to the green or bare copper wire in the junction box or the green screw on the mounting ring.

⚠ WARNING
Never fasten the ground wire to the black or "hot" wire!
Failure to follow this instruction could result in serious injury or death!

4. Fasten the white fixture lead to the white wire in the junction box. Fasten the wires together with an approved fastener (wire nut). Starting about 1" below the fastener, tightly wrap the connection with electrical tape so that the connections seals the end of the fastener.

⚠ WARNING
Make sure that there is no exposed wire or strands that could cause a dangerous short circuit!

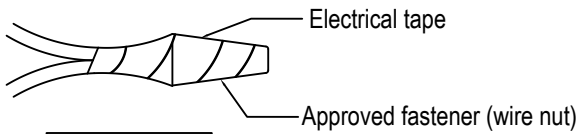


FIGURE-2

5. Connect the black fixture lead to the black wire in the junction box. Fasten the joined wires as in step 4.
6. Attach the cable wire to the building structure or brace using the cable clamp (See figure-1). Cut off the excess.

⚠ WARNING
REFER TO THE ILLUSTRATION FOR CORRECT AND SAFE INSTALLATION OF SAFETY CABLE WIRE. FAILURE TO FOLLOW THIS INSTRUCTION COULD RESULT HARM/DAMAGE TO THE FIXTURE, PROPERTY AND/OR PERSON(S)!

7. Using the barrel nuts, loosely fasten the fixture to the mounting plate. Rotate and align the canopy as necessary. Tighten the flat screws.
8. Install the lamps (G9 lighting bulbs). NOTE: This fixture is rated for (Lamp 1) candelabra based, 60 watt type B, BA, C, or CA lamps and (Lamp 2) 50 watts G9 lamp.

⚠ WARNING
DO NOT EXCEED RECOMMENDED WATTAGE!

9. Restore power to circuit at breaker or fuse box.

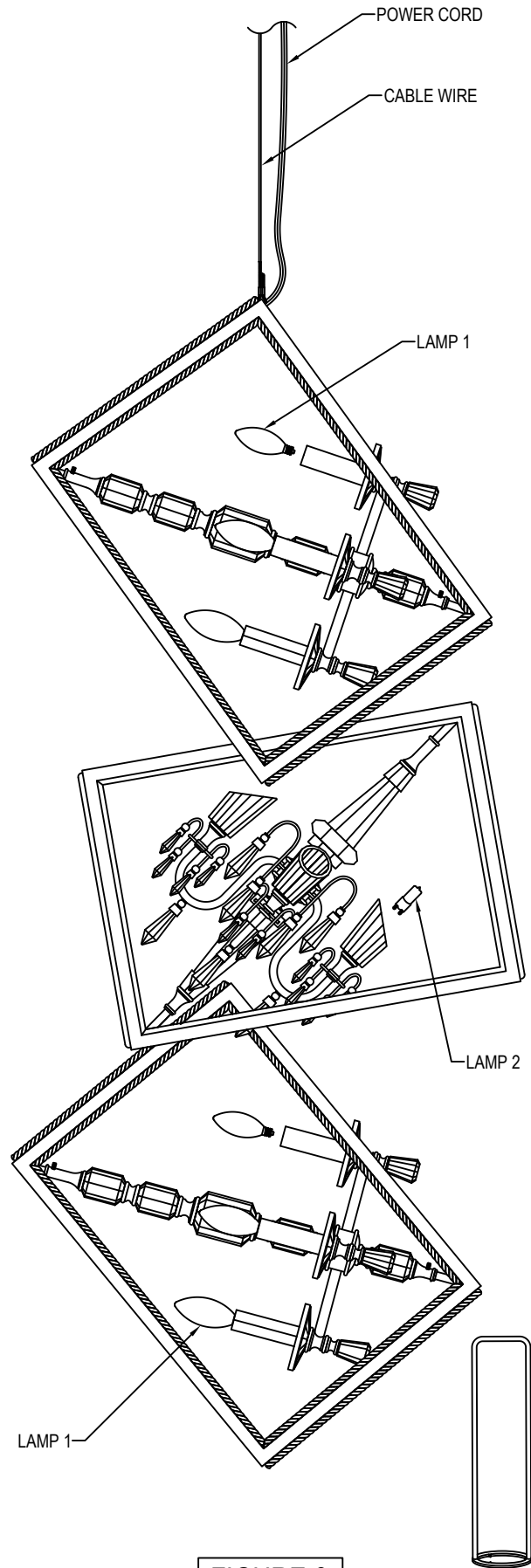


FIGURE-3

SPECIAL TOOL