

Raindance S
Showerpipe 240 1-Jet, 2.5 GPM
Finishes : **chrome** Part no. : **27115001**



Description

Features

- Flow: 2.5 GPM (9.5 L/Min)
- Outlets may not be operated simultaneously
- Shower outlet flow: 2.5 GPM (9.5 L/Min)
- Shower arm swivels left and right
- Anti-scald 100° safety stop
- Integrated volume control/diverter for 2 functions
- Exposed installation
- Thermostatic cartridge
- Built-in service stops

Item details

List Price \$ 1,226.00

Technology



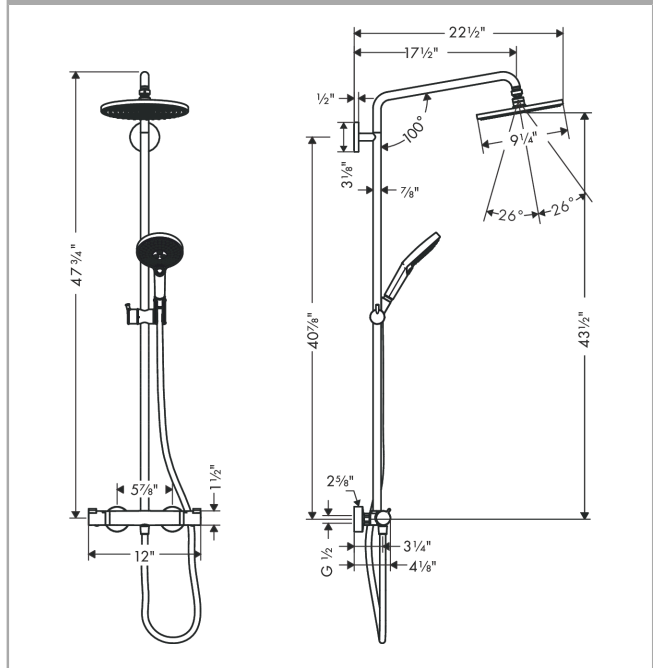
Compliance



Product image



Scale drawing

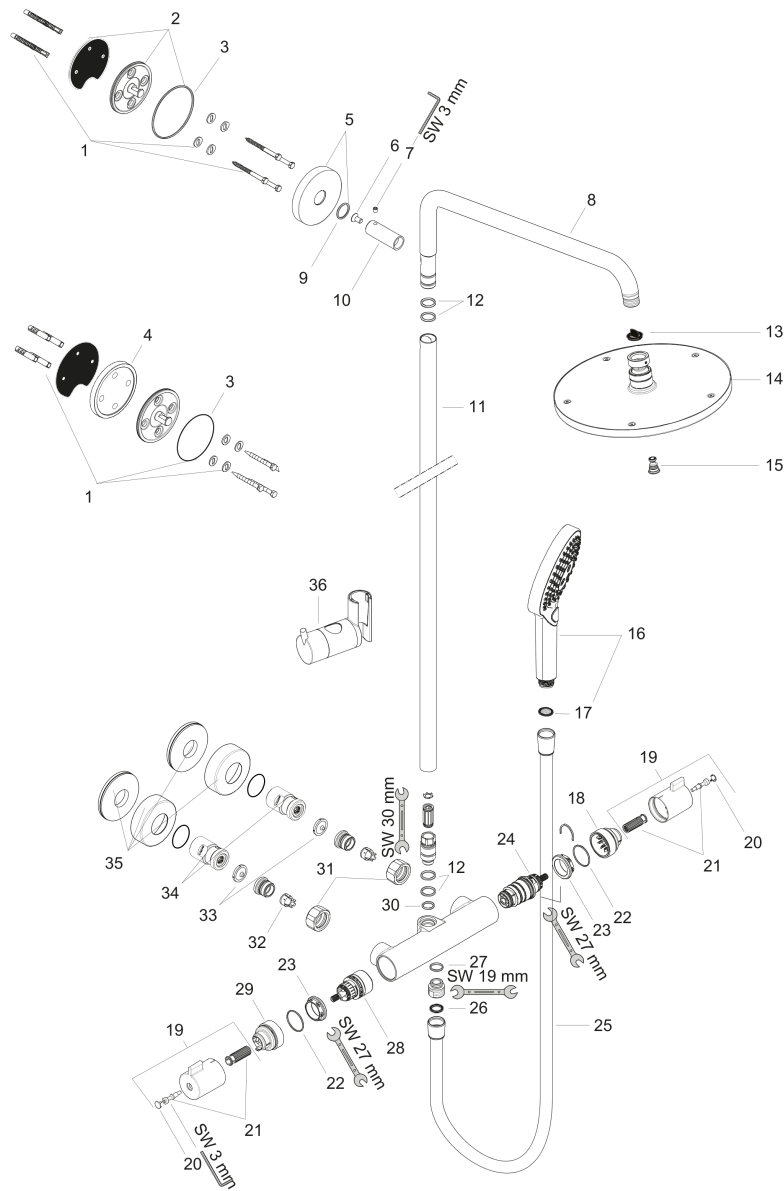


Raindance S
Showerpipe 240 1-Jet, 2.5 GPM
 Finishes : **chrome** Part no. : **27115001**



Exploded drawing

Year of production: >01/16



Raindance S

Showerpipe 240 1-Jet, 2.5 GPM

Finishes : **chrome** Part no. : **27115001**



Spare parts list

Year of production: >01/16

Pos.	Description	Part no.	Price	PU
1	mounting set	98716000	-	1
2	wall flange	95687000	-	1
3	O-ring 72x2	98395000	-	1
4	tile-matching-disk	98681000	-	1
5	escutcheon Ø 80 mm	95691000	-	1
6	screw	92137000	-	1
7	hollow set screw M6x5	98447000	-	1
8	shower arm	95916000	-	1
9	O-ring 20x2	98165000	-	1
10	sleeve	92166000	-	1
11	pipe 1030 mm	95915000	-	1
12	O-ring 15x2,5	98131000	-	1
13	filter packing	88649000	-	1
14	head shower Ø 240 mm	92210001	-	1
15	air jet	95794000	-	1
16	handshower	26531001	-	1
17	filter packing	94246000	-	1
18	safety set for temperature control	95839001	-	1
19	handle	95836001	-	1
20	cover cap	95433000	-	1
21	handle fixing set	95843001	-	1
22	O-ring 26x1,5	98390000	-	1
23	nut	98913000	-	1
24	thermostat cartridge	98282001	-	1
25	shower hose 1,60 m	28276003	-	1
26	seal	98058000	-	1
27	O-ring 14x2	98129000	-	1
28	shut off unit with selector	98283000	-	1
29	stop ring for flow control	95927000	-	1
30	O-ring 12x2,25	98382000	-	1
31	set of nuts	96157000	-	1
32	non return valve	96737000	-	1
33	filter packing	96922000	-	1
34	isolation valve	98341000	-	1
35	escutcheon	98340000	-	1
36	support, assy	97651000	-	1