

Fixture Type: \_\_\_\_\_

Catalog Number: \_\_\_\_\_

Project: \_\_\_\_\_

Location: \_\_\_\_\_

## Geos 6" & 10" Ceiling Mount

Model & Size	Color Temp & CRI	Watt	LED Lumens	Delivered Lumens	Finish
FM-4606 6"	2700K 80	8W	551	270	BR Brushed Brass
	3000K 80	8W	608	300	TT Titanium WT White

Example: **FM-4606-27-BR**

- For 277V special order, add an "F" before the finish: FM-4610F-30-TT

### DESCRIPTION

Cutting-edge technology in the display industry transformed into a super-thin, less than an inch profile flush mount. Multiple mid-powered LED source illuminate the diffuser uniformly and without socket shadows common in conventional flush mounts.

### FEATURES

- Super thin, edge-lit LED panel at less than an inch thick
- High lumen package great for high ceiling applications
- Twist-lock quick install mechanism
- Transformer installed within the Junction Box, transformer dimension: 2.00" x 1.38" x 1.02"
- 5 year warranty

### SPECIFICATIONS

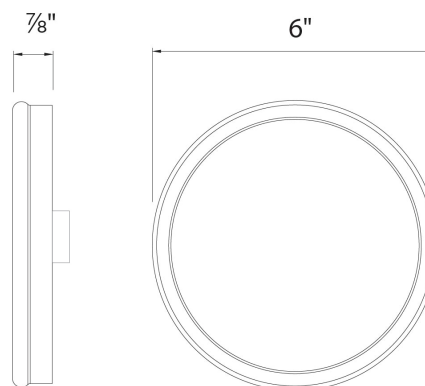
Color Temp:	3000K, 2700K
Input:	120 VAC, 50/60Hz
CRI:	80
Dimming:	ELV: 100 - 10%
Rated Life:	70000 Hours
Mounting:	Heavy gauge retention clips support trim firmly. Safety cabling standard., Can be mounted on ceiling or wall in all orientations
Standards:	ETL, cETL Damp Location Listed
Construction:	Aluminum body with frosted acrylic diffuser



### FINISHES



### LINE DRAWING



Fixture Type: \_\_\_\_\_

Catalog Number: \_\_\_\_\_

Project: \_\_\_\_\_

Location: \_\_\_\_\_

## Geos 6" & 10" Ceiling Mount

Model & Size	Color Temp & CRI	Watt	LED Lumens	Delivered Lumens	Finish
FM-4610 10"	2700K 80	12.5W	964	545	BR Brushed Brass
	3000K 80	12.5W	1064	600	TT Titanium WT White

Example: **FM-4610-27-BR**

- For 277V special order, add an "F" before the finish: FM-4610F-30-TT

### DESCRIPTION

Cutting-edge technology in the display industry transformed into a super-thin, less than an inch profile flush mount. Multiple mid-powered LED source illuminate the diffuser uniformly and without socket shadows common in conventional flush mounts.

### FEATURES

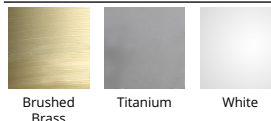
- Super thin, edge-lit LED panel at less than an inch thick
- High lumen package great for high ceiling applications
- Twist-lock quick install mechanism
- Transformer installed within the Junction Box, transformer dimension: 2.00" x 1.38" x 1.02"
- 5 year warranty

### SPECIFICATIONS

Color Temp:	3000K, 2700K
Input:	120 VAC, 50/60Hz
CRI:	80
Dimming:	ELV: 100 - 10%
Rated Life:	70000 Hours
Mounting:	Heavy gauge retention clips support trim firmly. Safety cabling standard., Can be mounted on ceiling or wall in all orientations
Standards:	ETL, cETL Damp Location Listed
Construction:	Aluminum body with frosted acrylic diffuser



### FINISHES



### LINE DRAWING

